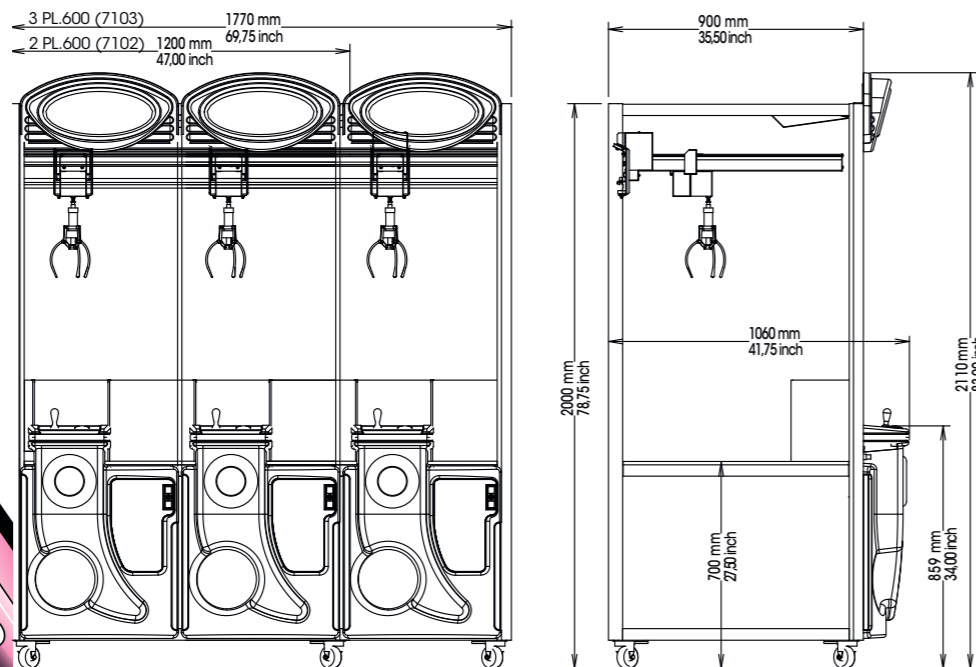
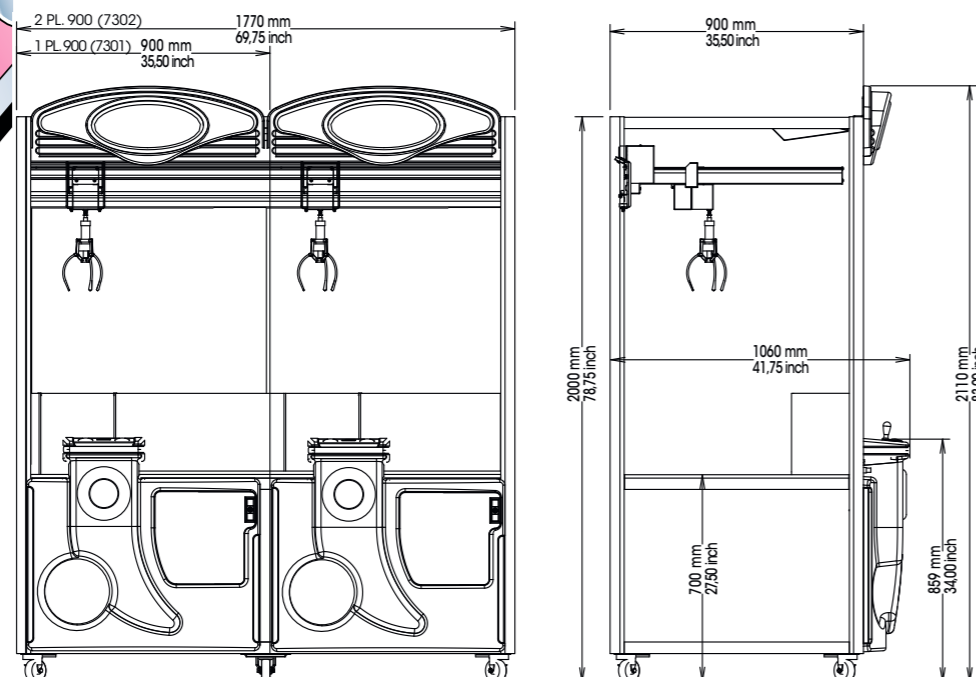


600 series



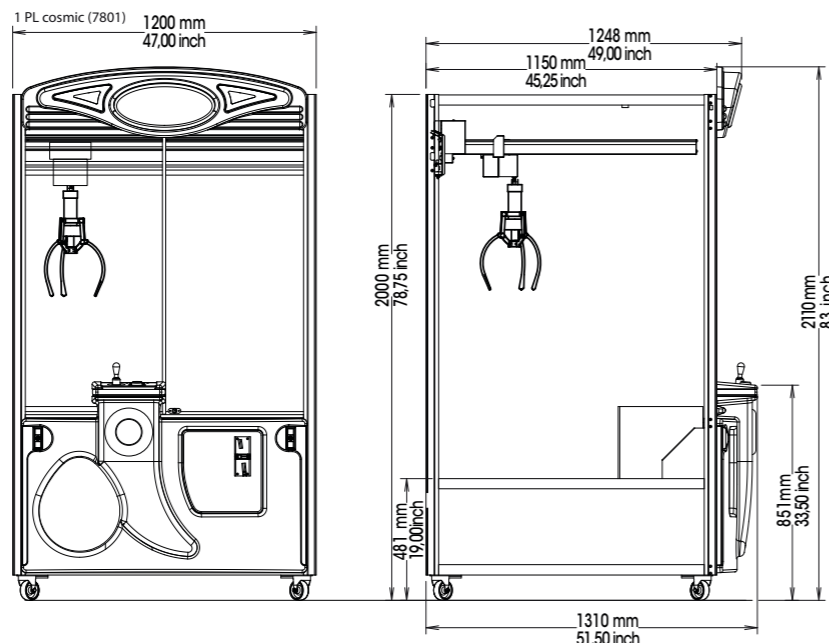
2 PL. 600 (7102) : WEIGHT = 270 KG / 595 LBS – POWER = 446 WATT  
 3 PL. 600 (7103) : WEIGHT = 380 KG / 838 LBS – POWER = 602 WATT

900 series



1 PL. 900 (7301) : WEIGHT = 210 KG / 463 LBS – POWER = 251 WATT  
 2 PL. 900 (7302) : WEIGHT = 345 KG / 760 LBS – POWER = 502 WATT

cosmic



COSMIC (7801) : WEIGHT = 260 KG / 573 LBS – POWER = 311 WATT

ELAUT reserves the right to alter specifications without prior notice. Certain features of the depicted products are protected by patent and/or design rights in several countries. The named trademarks are owned by ELAUT NV, and registered in one or more countries. The IP rights concerned can be consulted on [www.elaut.com/ip](http://www.elaut.com/ip)



TOP QUALITY ENTERTAINING THE WORLD



RGB led technology : 1 crane with 300.000 shades of colour



printed 2014 © ELAUT® nv



ELAUT® nv  
 sales@elaut.be  
 www.elaut.com

ELAUT nv  
 Passtraat 223  
 9100 Sint-Niklaas  
 BELGIUM  
 T. +32 3-780.94.80  
 F. +32 3-778.05.61

ELAUT Germany GmbH  
 In der Wolfshecke 11  
 64653 Lorsch  
 GERMANY  
 T. +49 6251.855.449  
 F. +49 6251.855.450

ELAUT USA, INC.  
 1000 Towbin Avenue  
 Lakewood, NJ 08701  
 USA  
 T. +1 732.494.4900  
 F. +1 732.494.6464

ELAUT Spain SL  
 Calle Resina 37, nave 4  
 28021 Madrid  
 SPAIN  
 T. +34 603 334 413



specifications for all the models



E-Claw 600 2 pl.

The "E-Claw" is fully equipped with environment-friendly LED lighting. White LEDs are used inside, while the outside is equipped with RGB LEDs with 300,000 shades of colour.

You can change the colour of the crane whenever you like, or if you prefer an automatic change of colour, this also is possible.

If cranes are linked, they can use the same colour pattern. The modern look of this crane was obtained by the LED combined with the white-lacquered aluminium profiles. The gantry is the very first and only one of its type that

has intelligence and self-learning capacity.

So it knows at all times precisely where it is and corrects itself as and where necessary.

The gantry is easy removable, low maintenance and without micro-switches.

Operating cranes optimally and successfully has never been so easy.

The front consists of high-grade vandal-resistant plastic. It also conceals an enormous drawer with a locked cash box, all the electronics and extra stock room.



E-Claw 900 2 pl.



Push button

or



Joystick



Multicoin mechanism



Adjustable RGB colors



Lockable cashbox inside the drawer



Illuminated drawer with storage



Different claws available for toys from size 1 to 4, for cosmic size 5



Other possibilities



Illuminated side header and / or side panel  
This option is only available on the 7100 and 7300 series.



Superstructure



Mercy ticket dispenser



Coin comparator



Bill acceptor



Swipe card reader  
(not supplied by Elaut)



Cosmic

The Cosmic completes the E-Claw family and is specially designed for larger toys. The prize hole and playfield are bigger for large items such as footballs and size 5 soft toys which are not a problem for the stronger and larger claw. The playfield is lower, but the height of the control panel and total height are the same as the 600 and 900 series.