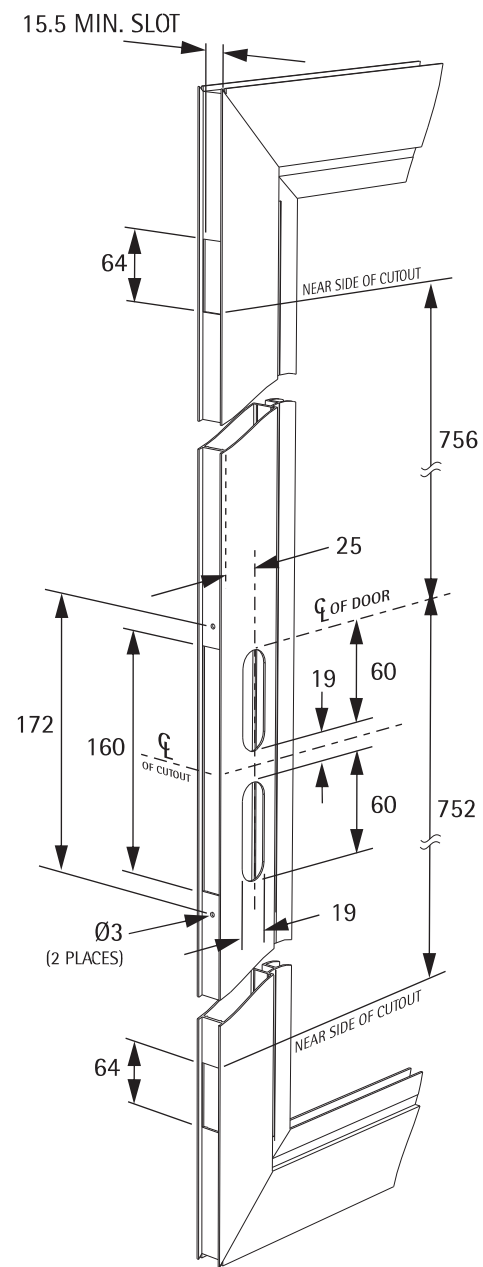
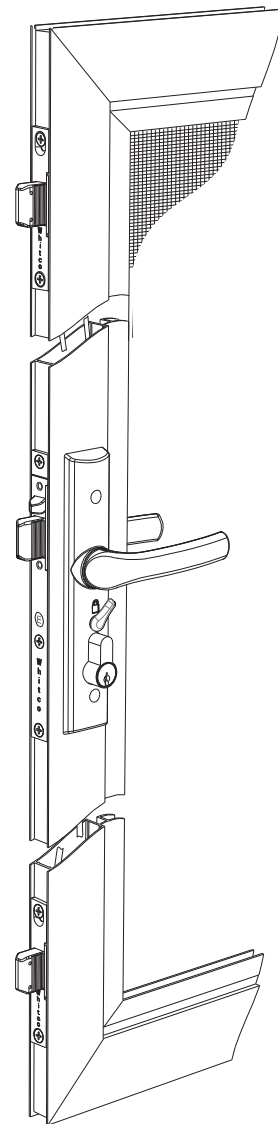




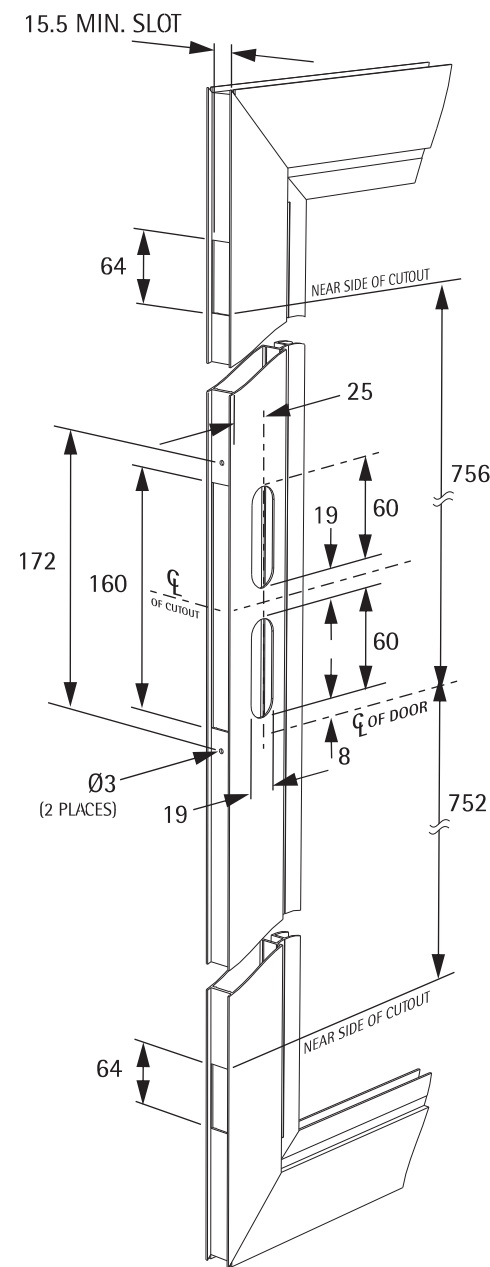
## TASMAN ESCAPE SECURITY AND SCREEN 3 POINT DOOR LOCK

### FITTING INSTRUCTIONS

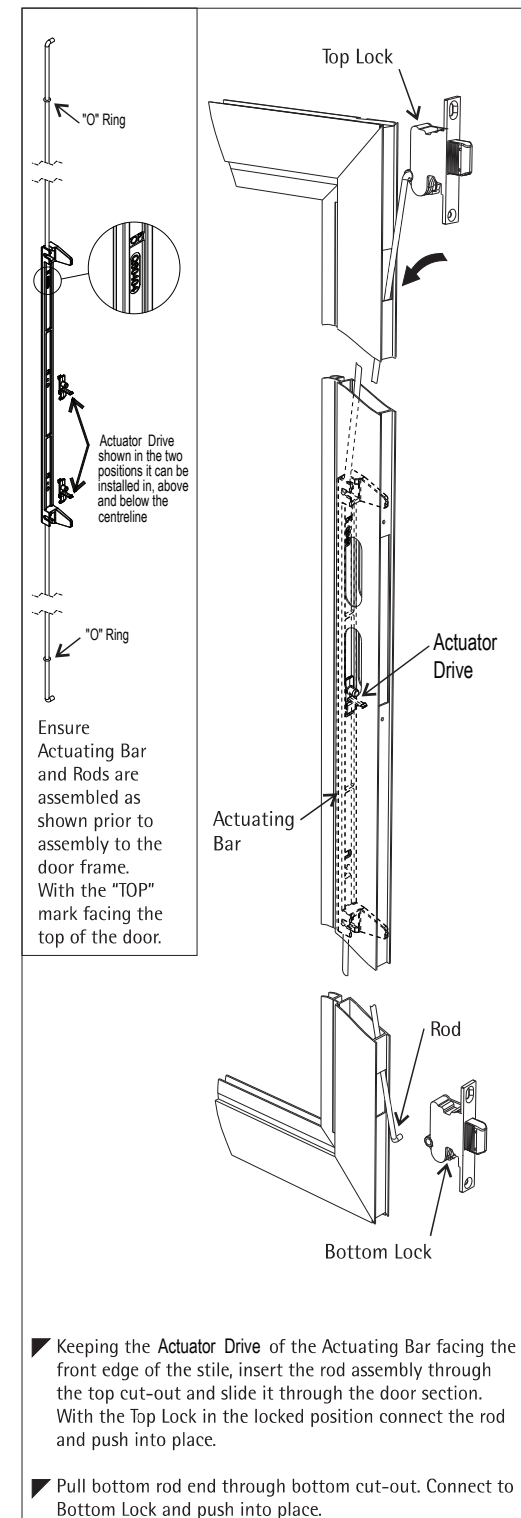


- Mounting of handle below door centreline**
- Both sides of the door stile must be cut to the dimensions given. Start with the centreline of door.

All dimensions in millimetres



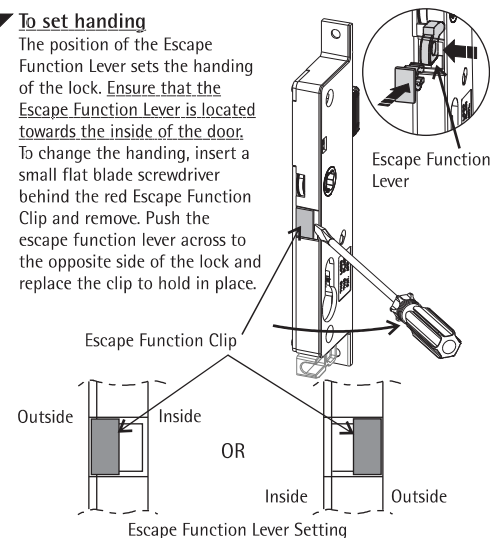
- Mounting of handle above door centreline**
- Both sides of the door stile must be cut to the dimensions given. Start with the centreline of door.



ASSA ABLOY

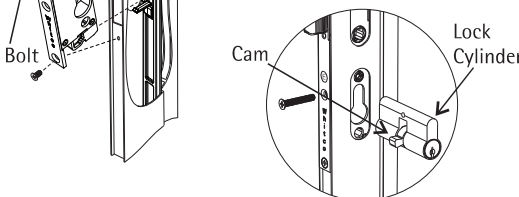
► **To set handing**

The position of the Escape Function Lever sets the handing of the lock. Ensure that the Escape Function Lever is located towards the inside of the door. To change the handing, insert a small flat blade screwdriver behind the red Escape Function Clip and remove. Push the escape function lever across to the opposite side of the lock and replace the clip to hold in place.



► With the lock bolt to the top, fully out and deadlocked, insert the centre lock into the cutout. Ensure the **Actuator Drive** on the Actuating Bar engages correctly and secure with 2 x 12mm screws. The lock must be mounted in the position shown, as our product warranty cannot be assured if mounted upside down.

► Insert cylinder lock so cam turns towards front of door and secure with 32mm screw. Do not overtighten the screw.

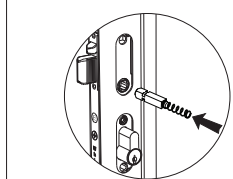


► Turn key to ensure the lock is functioning. Leave in locked position and remove the key.

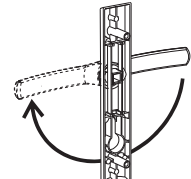
► Ensure that both top and bottom bolts are deadlocked.

► Drill Ø3mm hole in the centre of the slotted holes of the Top and Bottom locks.

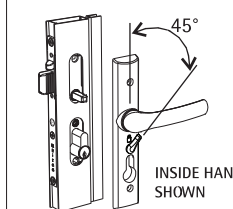
► Lightly fix both locks with the 12mm fixing screws supplied in slotted holes only. NOTE: Do not drill other fixing holes until final adjustment.



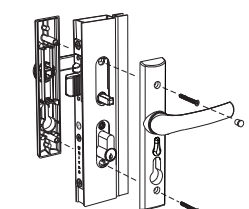
► Insert connecting rod into lock body.



► Prepare escutcheon by rotating lever downwards to the required handing position.

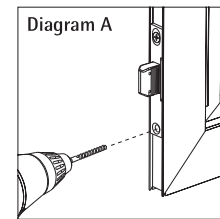
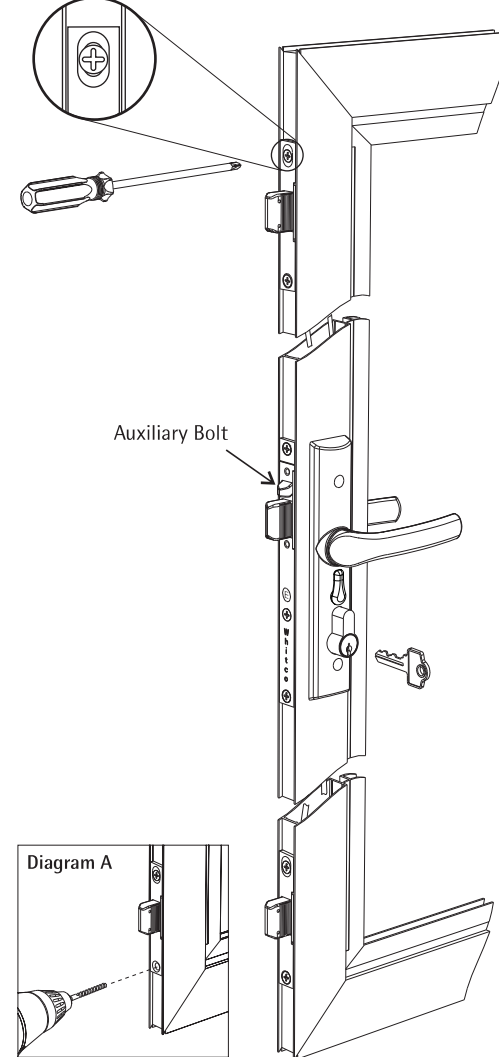
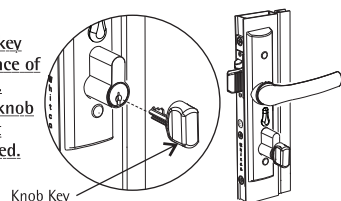


► Fit escutcheon plates ensuring indicator is at 45° and on the inside face of the door with handle operating downwards.



► Secure escutcheon plates with 25mm thread forming screws (note: these screws form their own thread). Fit mounting hole plugs.

► Insert the non removable knob key into the inside face of the cylinder lock. Note: Once this knob key is installed it cannot be removed.

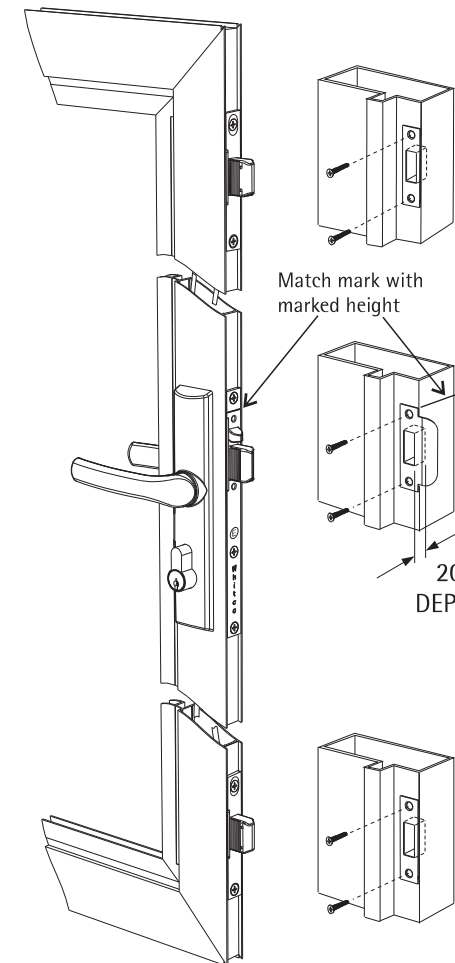


► Insert key and check function of the handle and the top bottom and centre locks. Ensure that:  
- Bolts retract and move freely,  
- Bolt and handle will not operate in locked position.  
NOTE: The auxiliary bolt must be depressed for the locking mechanism to operate.

► Unlock cylinder, slide top and bottom locks using light finger pressure to just fully retract bolts. Tighten screws.

► Check operation with the key. Ensure that the Top and Bottom bolts are:  
- Deadlocked in the locked position.  
- Flush in unlocked position, adjust if necessary.

► Drill Ø3mm hole through the other fixing hole of the Top and Bottom locks and secure with 2 x 12mm screws supplied. (Refer diagram A)



► Hold door in closed position and mark the door jamb level with match mark on front of the centre lock body. From the strikers supplied with the accessory kit, select the one with the tongue. Position striker with the top in line with the mark just made. Mark the position of the screw holes and the bolt recess. Drill holes and cut out bolt recess to a depth of 20mm. Fix the strike using the 25mm screws supplied.

► Mark the location for the Top and Bottom bolts. Using the two strikers mark the position of the screw holes and bolt recesses. Cut out bolt recesses to a depth of 20mm and drill holes. Fix the strikers using the 25mm screws supplied.

► NOTE: Operation of the lock requires the auxiliary bolt to be depressed against the striker. This requires a maximum clearance of 3mm between the door stile and striker. NOTE: 10mm and 12mm step over and hi-security strikers are available for top, bottom and centre locks for additional security.