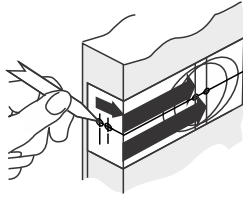
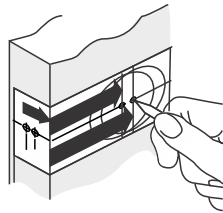


1. PREPARE DOOR

- Fold and position template at the desired height for the lockset. Mark latch hole position as shown.

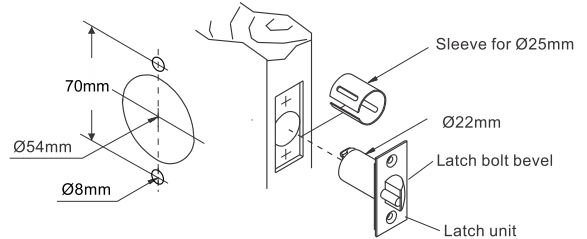
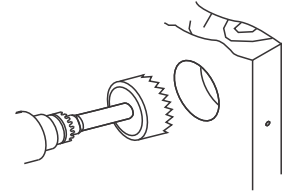


- Mark the centre point of the lockset hole on the door face at the desired backset, either 60mm or 70mm.



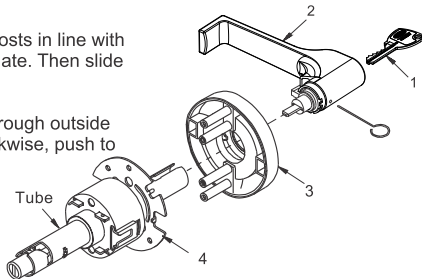
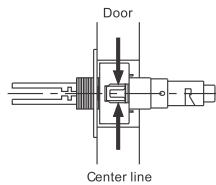
2. DRILL HOLES

- Using a 54mm hole saw, drill through face of door. Drill 2 x 8mm holes. On the edge of the door drill a 22mm hole for the latch. Insert latch and scribe around faceplate. Mortise out rebate to 4mm deep.



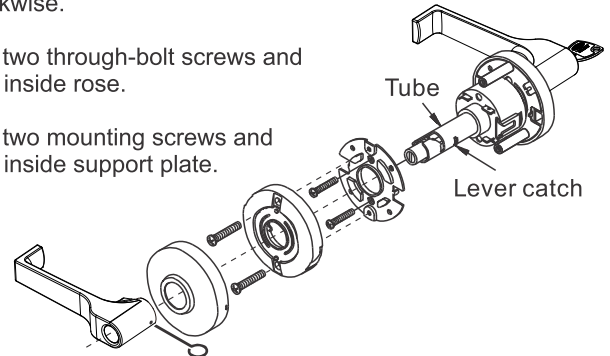
3. ADJUST FOR DOOR THICKNESS

- The lock can be adjusted for door thickness 35 to 46mm.
- Remove outside lever by inserting key (1) and turn 45° clockwise. Insert push pin into hole on lever to depress lever catch. Slide the lever (2) from tube.
- Remove outside rose(3).
- Rotate outside threaded support plate(4). Make certain centre line of latch unit tail piece in line with door thickness centre.
- Position the outside rose screw posts in line with screw holes on outside support plate. Then slide onto tube.
- Slide outside lever(2) into tube through outside rose. Insert key and turn 45° clockwise, push to engage lever catch.



4. DISASSEMBLY OF LOCKSET UNIT

- To remove inside lever, insert push pin into hole on lever to depress the lever catch. Slide the lever from the tube. Remove rose scalp by slightly twisting anticlockwise.
- Loosen two through-bolt screws and remove inside rose.
- Loosen two mounting screws and remove inside support plate.



KL-121 Iss. 0519

FOLD HERE

60mm BACKSET

70mm BACKSET

READ INSTRUCTIONS
46mm THICK
DOOR

35mm
THICK
DOOR

Ø54mm Hole

•Only for thru-bolt drill Ø8mm holes

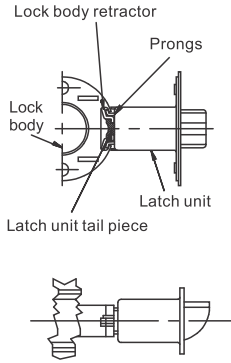
THIS WAY
UP



TEMPLATE

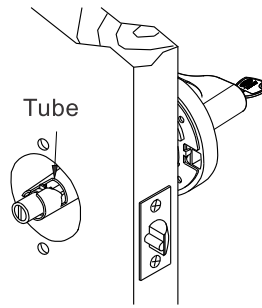
5. LOCK BODY ALIGNMENT & CENTERING

- The lock body must engage the latch unit prongs as shown. The lock body retractor must engage the latch unit tail piece. Door must be open when installing lockset with guarded latch unit.



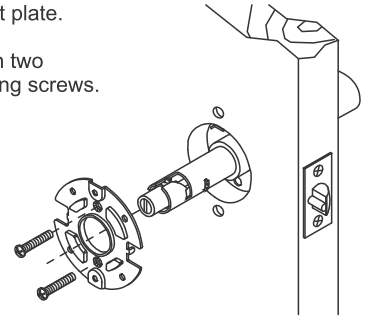
6. INSTALLATION OF LOCK UNIT

- Slide lock body into hole from outside position with thru-bolt through the small holes. Have retractor engaged with latch tail piece.



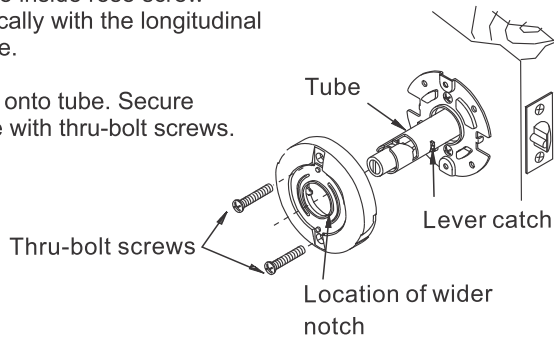
7. SECURING THE LOCKSET UNIT TO THE DOOR

- Place the inside support plate.
- Tighten two mounting screws.



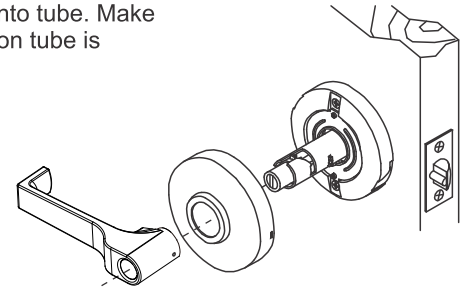
8. ATTACHING INSIDE ROSE

- Position the inside rose screw holes vertically with the longitudinal slot on tube.
- Then slide onto tube. Secure inside rose with thru-bolt screws.



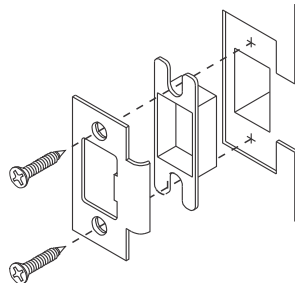
9. INSIDE LEVER INSTALLATION

- Place rose scalp onto inside rose.
- Slide inside lever onto tube. Make certain lever catch on tube is engaged with lever.



10. INSTALLING STRIKE

- At the correct height, mortise a 25mm deep rebate 25mm x 30mm in the door jamb.
- Locate the strike using the 25mm rebate in door jamb. Scribe around strike then mortise a 2mm deep rebate for the strike.
- Insert strike and keeper and secure with two wood screws provided.



11. CYLINDER REMOVAL

- Remove outside lever as described previously.
- Use push pin to depress retainer, and take out retainer. Then cylinder can be removed.
- When replacing cylinder, secure by pressing retainer until flush with shelf.

