

ASSA ABLOY is the global leader in door opening solutions, dedicated to satisfying end-user needs for security, safety and convenience



Please Note:

This document is provided as a dimensional reference and should not be printed as a drilling template unless it can be correctly scaled to 100% by your printer.

ASSA ABLOY Australia Pty Limited
235 Huntingdale Road,
Oakleigh Victoria, 3166
Australia

info.au@assaabloy.com
assaabloy.com.au

ASSA ABLOY New Zealand Ltd.
6 Armstrong Road
Albany, North Shore City, 0632
New Zealand

info.nz@assaabloy.com
assaabloy.co.nz

5051M
0508

001-3 Deadlatch

FOR INWARD OPENING DOORS WITH METAL JAMB

ALSO SUITABLE FOR MODEL 002-3

FOLLOW INSTRUCTIONS CAREFULLY



LOCK OPERATION

DEADLOCK : When locked **LOCKALERT™** shows red.
: When unlocked **LOCKALERT™** shows green.

KEY OUTSIDE : Retracts latch bolt at all times.

KEY INSIDE : (001 only) Locks or unlocks turn knob by turning key one full turn.

TURN KNOB : (001 only) Retracts latch bolt when unlocked.

TURN KNOB : (002 only) Retracts latch bolt at all times.

SAFETYRELEASE™ : Automatically unlocks the internal knob upon entry.

BOLT HOLD BACK WITHOUT KEY :

To Engage :

Rotate turn knob fully clockwise.

To Release:

Rotate turn knob anti-clockwise.

BOLT HOLD BACK WITH KEY :

Prevents unauthorised "hold back" release.

To Engage :

Rotate turn knob fully clockwise and lock in rotated position by turning key in knob one full turn anti-clockwise.

To Release:

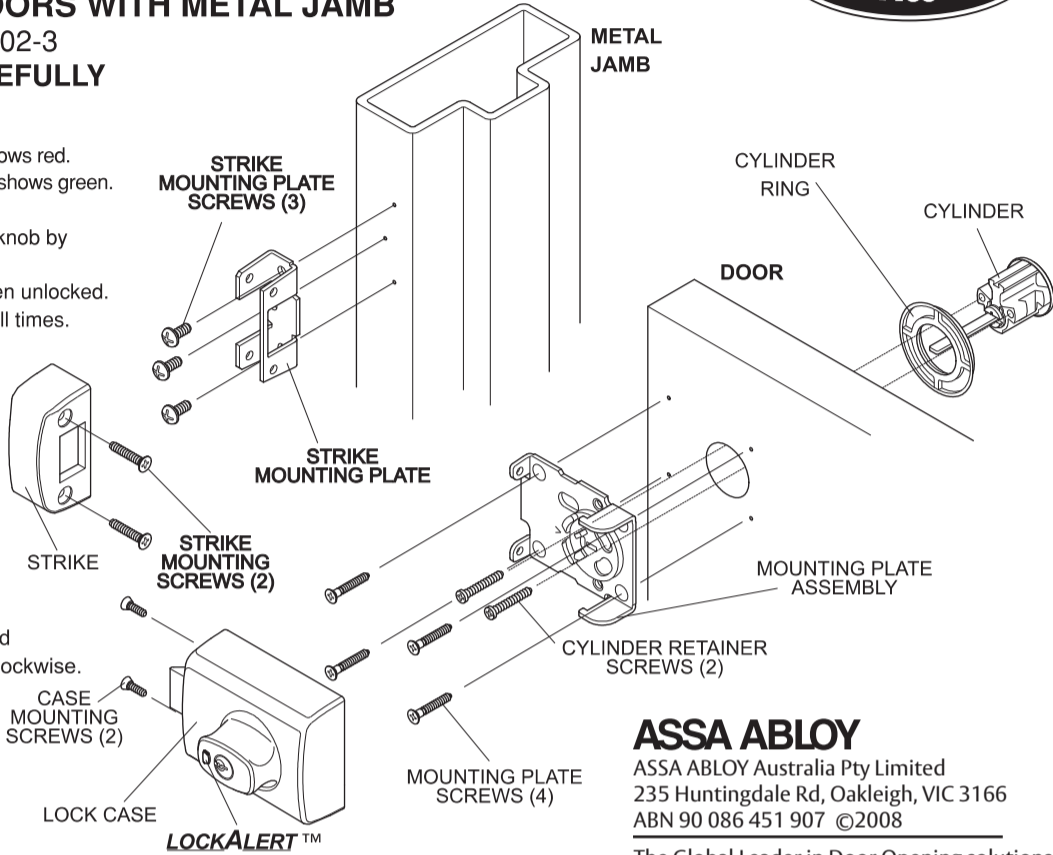
Unlock turn knob by turning key one full turn clockwise and rotate turn knob anti-clockwise.

DOOR THICKNESS

30mm to 45mm

OPTIONAL

3mm Packer plate 001-3254BLK



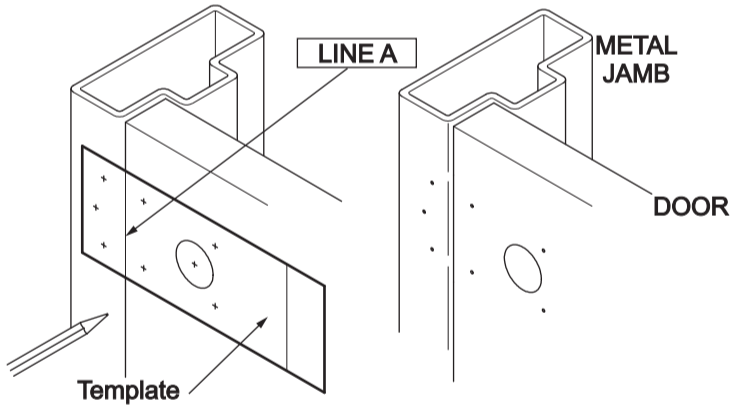
ASSA ABLOY

ASSA ABLOY Australia Pty Limited
235 Huntingdale Rd, Oakleigh, VIC 3166
ABN 90 086 451 907 ©2008

The Global Leader in Door Opening solutions

1. PREPARE DOOR

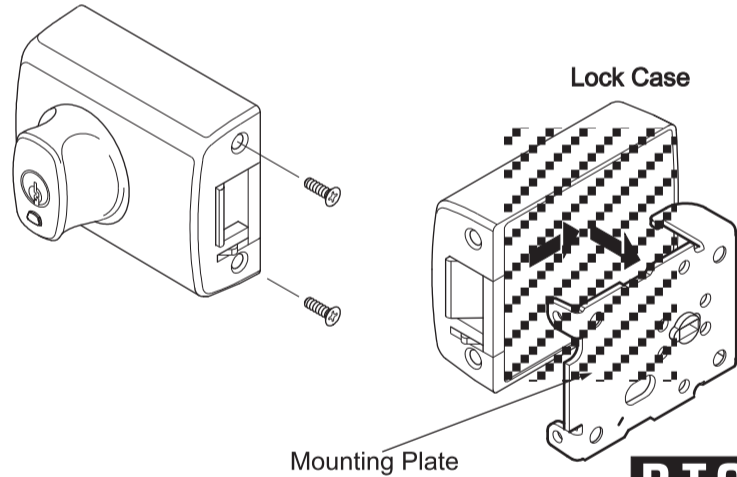
1. Select CLOCKWISE or ANTI-CLOCKWISE side of template to suit door opening direction.
2. Position template and prepare door as specified on template.
WARNING : Care must be taken when drilling and affixing screws to jamb. Screws must **NOT** come in contact with electrical wires in jamb.



DRILL CYLINDER HOLE FROM BOTH SIDES OF DOOR TO PREVENT SPLINTERING OF DOOR FACE.

2. PREPARE LOCK

1. Rotate turn knob fully clockwise to HOLD BACK position.
2. Remove two case mounting screws from lock case.
3. Take mounting plate out of lock case.



TEAR OFF

Anti-Clockwise Opening Door Template

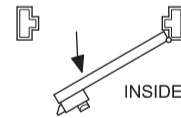
USE OTHER SIDE OF TEMPLATE FOR CLOCKWISE DOOR

THIS WAY UP

DRILL 3 HOLES
4.3mm (1/64") Dia

DRILL 4 HOLES
3mm (1/8")
Dia x 25mm (1")
Deep

DRILL 32mm (1 1/4")
Dia CYLINDER HOLE



1. Select CLOCKWISE or ANTI-CLOCKWISE template to suit door opening direction.

2. Place template on inside door face at required height from floor with **LINE A** positioned on door edge.

3. Mark and drill ALL holes as specified on template.

DRILL CYLINDER HOLE FROM BOTH SIDES OF DOOR TO PREVENT SPLINTERING OF DOOR FACE

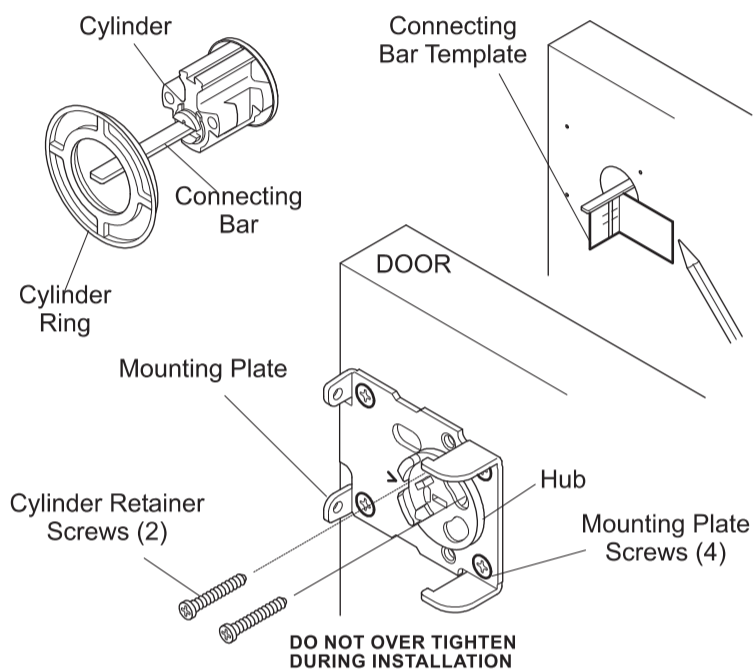
TEAR OFF

LINE A

60mm (2 3/8") BACKSET

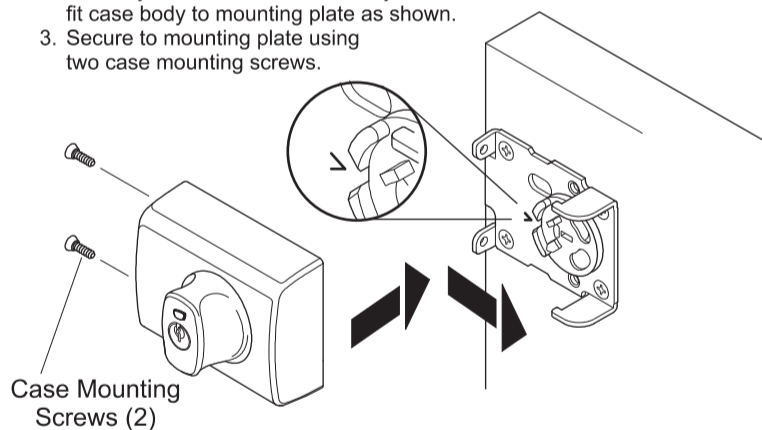
3. INSTALL CYLINDER & MOUNTING PLATE

1. Insert cylinder into cylinder ring and place through hole from OUTSIDE of door.
2. Fold and position **CONNECTING BAR TEMPLATE** as shown. Mark connecting bar between the 2 lines. **Remove** cylinder assembly and CUT connecting bar to length. Connecting bar must NOT protrude past Hub face or guarantee will be void.
3. Fix **MOUNTING PLATE** to door with four wood screws supplied.
4. Align Notch on HUB with vee on mounting plate.
5. Assemble cylinder assembly in door, ensure connecting bar engages in hub slot.
6. Place rear retainer screw through slot in hub and secure cylinder assembly to door.
7. Rotate HUB 90° by inserting key in cylinder and secure second retainer screw. Ensure both screws are tightened firmly.



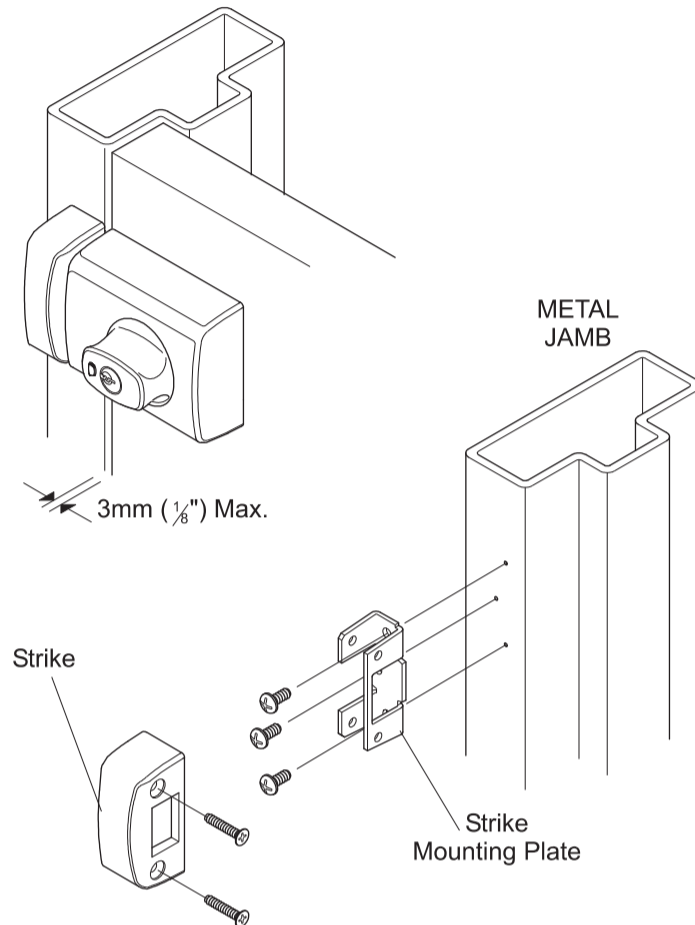
4. INSTALL CASE

1. Rotate turnknob fully clockwise to HOLD BACK position.
2. Ensure notch on hub is aligned with vee on mounting plate. With key removed from external cylinder, fit case body to mounting plate as shown.
3. Secure to mounting plate using two case mounting screws.



5. INSTALL STRIKE PLATE & STRIKE

1. Install strike mounting plate to jamb using three metal thread screws.
 2. Locate strike over strike mounting plate and secure using two metal thread mounting screws.
- Note :** 3mm (1/8") maximum gap between lock and installed strike.



5110M

GUARANTEE

ASSA ABLOY Australia Pty Limited ("ASSA ABLOY") warrants its Lockwood products against defects in workmanship and materials, subject to the limitations and exclusions set out in this Warranty. If, within the normal working life of a product, it is found to be defective, and none of the limitations and exclusions set out in this Warranty apply, ASSA ABLOY will supply the same or equivalent product free of charge. This is the only remedy granted by ASSA ABLOY under this Warranty. Limitations: All electrical and electronic components used in ASSA ABLOY's Lockwood range of products (excluding batteries) are guaranteed for a period of 12 months from the date of proof of purchase, unless stated otherwise. Exclusions: This Warranty does not cover:

1. Damage to or malfunction or failure of the Lockwood product caused or contributed to by: (a) improper installation or failure to follow fitting instructions; (b) improper maintenance; (c) fair wear and tear; (d) any modification or repair which has not been authorized by ASSA ABLOY; (e) use of substitute or replacement parts or cylinders other than genuine ASSA ABLOY parts or cylinders; or (f) use of batteries other than those specified by ASSA ABLOY.
2. The cost of: (a) removal and/or replacement of the Lockwood product; (b) freight and/or travelling time; (c) replacement batteries; or (d) any modification or repairs to a Lockwood product, unless authorised by ASSA ABLOY.
3. Damage to or deterioration of the plated finishes Florentine Bronze, Architectural Bronze, Polished Brass, Gold and Satin Brass, which are classified as soft finishes, and are subject to deterioration under some environmental conditions.
4. Personal injury, property damage or economic loss, however caused.

Symmetry® 5 Year Finish Warranty: ASSA ABLOY Australia Pty Limited will replace five-year branded Symmetry product if within five years from the proven date of purchase it tarnishes, discolours or corrodes when properly installed and subject to no more than fair wear and tear.

Symmetry® Everbrass® Warranty: Everbrass product is coated both on the exterior and interior surfaces with a lifetime anti-tarnish finish. ASSA ABLOY Australia Pty Limited will replace Everbrass branded product if it corrodes, tarnishes or discolours when properly installed and subject to no more than fair wear and tear. This Warranty is in addition to and not in substitution for any rights of the purchaser under the Trade Practices Act and state or territory legislation.

