

WELDING CURTAINS

- Designed to protect workers from indirect welding flash
- Allows natural light into work areas
- Zip-Ties and Curtain Rings supplied with each curtain - Ready to Install
- Long-Life Construction: Double hem, stitched with heat-resistant kevlar thread, with heavy duty brass eyelets
- Available in Red or Green
- Fire retardant
- Tested & Conforms to DIN EN 1598: 2011-12



Comes with Free rings & ties!



Part No. Colour Red	Part No. Colour Green	Height	Width	Unit	Outer Qty
7-1813R	7-1813G	1.8m	1.3m	Each	10
7-1818R	7-1818G	1.8m	1.8m	Each	10
7-1820R	7-1820G	1.8m	2.0m	Each	10
7-1827R	7-1827G	1.8m	2.7m	Each	10
7-1834R	7-1834G	1.8m	3.4m	Each	10
-	7-1855G	1.8m	5.5m	Each	10

Technical Data

Intended Application(s)	Protection against indirect welding flash Warning: Curtains must not be used for direct viewing of the arc
Construction	Curtain: PVC 0.4mm Hem Stitching: Kevlar thread Eyelets: Brass
Standard Conformance	DIN EN 1598:2011-12 (European standard) Conformance tested by DinCerto, Germany



CURTAIN FRAMES & KITS - STANDARD

- Coated steel frame
- Spring pin joints for fast assembly
- Includes castor wheels
- Includes joining tubes for joining two or more curtains together
- Supplied in flat pack kit form - Just snap together
- Frame only - does not include curtain
- Suits 1.8 x 1.8m curtains



Part No.	Description	Unit
WC-04349	Frame only to suit 1.8 x 1.8m Curtain	Each
WC-03238K	Frame & Curtain Combo Kit 1.8 x 1.8m Red	Kit
WC-03239K	Frame & Curtain Combo Kit 1.8 x 1.8m Green	Kit

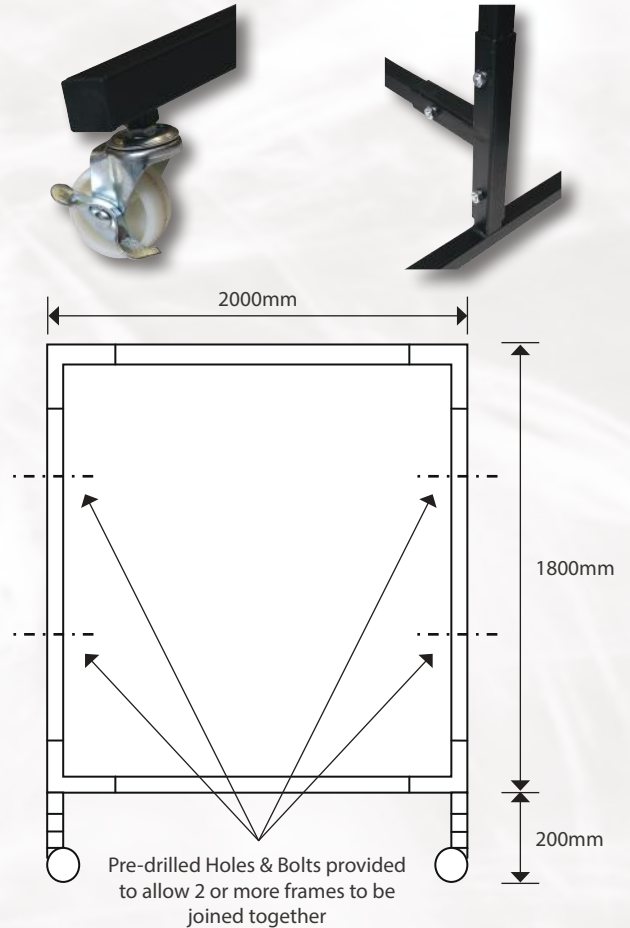
Technical Data

Construction	Frame: 22 x 1.0mm Pipe black painted/coated Joints: Pipe-in-pipe with Spring-pin Clips
Shipping Details - Frame Only (Approx)	Supplied flat packed Weight: 7kg 1700 x 150 x 70mm



CURTAIN FRAMES & KITS - HEAVY DUTY

- Heavy-Duty coated RHS frame with welded corner brackets
- Includes lockable castor wheels
- Two or more frames can be joined together (bolts and nuts/washers included), to create longer screens.
- Frame only - does not include curtain
- Suits 1.8 x 2.0m curtains



Part No.	Description	Unit
7-WCF1820	Frame Only to Suit 1.8 x 2.0m Curtain (Overall Size: 2.0 x 2.0m)	Each
WC-03235K	Frame & Curtain Combo Kit 1.8 x 2.0m Red	Kit
WC-03236K	Frame & Curtain Combo Kit 1.8 x 2.0m Green	Kit

Technical Data

Construction	Frame: 25x25x1.6mm RHS black painted/coated Corner & Feet Brackets: 30x30x2.0mm RHS black painted/coated Corner Joins: Welded
Shipping Details - Frame Only (Approx)	Supplied flat packed Weight: 13kg 2000 x 65 x 190mm

