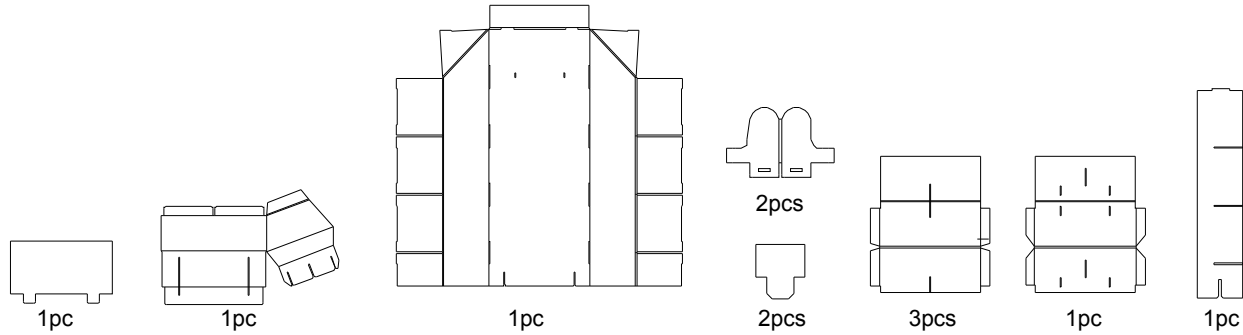


# Assembly instructions

## 1.Component



## 2.Steps

