

Weldclass

USER MANUAL AND MAINTENANCE



ALLCLEAR[®] MT84

TRANSLATION OF ORIGINAL INSTRUCTIONS

Weldclass Welding Products

6 East West Place, Tamworth NSW 2340
Phone: 02 6764 9590
International Phone: +612 6764 9590

www.weldclass.com.au
sales@weldclass.com.au

ABN: 53 115 109 012



INDICE

1. INFORMATION SECTION	6
1.1. Preface	6
1.2. Identification of major parts	8
1.3. Optional parts	9
1.4. Manufacturer identification data	9
1.5. Name plate	9
1.6. Intended uses	9
1.7. Allowable environmental conditions	9
1.8. Noise level	10
1.9. Technical Data	10
1.10. Warranty	11
2. SAFETY SECTION	12
2.1. Safety information	12
2.2. Safety prescriptions	12
2.3. Safety plates and symbols	15
2.4. Residual risks	17
2.5. Directives applied	17
3. HANDLING, UNPACKING AND INSTALLATION SECTION	18
3.1. Handling	18
3.2. Unpacking	19
3.3. Installation	20
4. OPERATION SECTION	22
4.1. Command description	22
4.2. Duty cycle	23
4.3. Air speed control	25
4.4. Second inlet installation	25
4.5. Filter cleaning cycle	26
4.6. Emptying the container	27
4.7. Inserting and locking the container	28
4.8. Storage - decommissioning	28



5. MAINTENANCE SECTION	30
5.1. Informational Notes	30
5.2. General safety standards	30
5.3. Primary filter replacement	32
5.4. Sparks filter cleaning	33
5.5. HEPA filter replacement	34
5.6. If something doesn't work	36
5.7. Scrapping	36





1. INFORMATION SECTION

IMPORTANT - The term and logo WELDCLASS in this document refer to and are the property of WELDCLASS WELDING PRODUCTS.

This document is the exclusive property of WELDCLASS WELDING PRODUCTS. Therefore, its reproduction by any means (graphic, computer, etc.), partial or total, is prohibited without the authorization of the Company Management.

1.1. PREFACE

Dear Customer

We thank you for preferring WELDCLASS and congratulate you for choosing a WELDCLASS ALLCLEAR® MT84 vacuum cleaner.

We have prepared this manual to enable you to fully appreciate the quality of this machine.

We recommend reading it thoroughly before using the product for the first time.

It contains important information, tips and warnings for the use and maintenance of the vacuum cleaner that will help you take full advantage of the technical features of your machine.

It is recommended to read carefully the messages, warnings and directions, preceded by the symbols:



For the safety of people.



For the integrity of the aspirator.



For the preservation of the environment.

This manual describes the following models:

- ALLCLEAR® MT84

Machines are classified according to their degree of dust filtration efficiency:

- L (light risk): in vacuum cleaners with a class L filter, the maximum degree of dust penetration is less than 1 percent (Degree of penetration < 1 %);
- M (medium risk): in vacuum cleaners with M filter, the maximum degree of dust particle penetration is less than 0.1 percent (Degree of penetration < 0.1 %);
- H (high hazard): in vacuum cleaners with filter H, the maximum degree of dust particle penetration is less than 0.005% (Degree of penetration < 0.005 %); This vacuum cleaner is designed to perform vacuuming, cleaning and collection operations of solid materials (dust and processing residues).

This specific model has undergone strict testing to ensure maximum reliability; its smooth operation and longevity will depend on good maintenance and careful use.



This manual is an integral part of the vacuum cleaner and must accompany it, until it is scrapped. In case of loss or damage, a replacement copy should be requested from WELDCLASS WELDING PRODUCTS (hereafter referred to simply as WELDCLASS).

The technical information contained in this manual is the property of WELDCLASS and should be considered confidential in nature.

Reproduction, even in part, of the graphic design, text and illustrations is prohibited by law.

Some details depicted in the illustrations in this manual may differ from those in your vacuum cleaner, as some components may have been removed in order to ensure maximum clarity of the illustrations.

The topics covered in this manual, are those expressly required by the Machinery Directive 2006/42/EC and the technical data given are derived from the technical file stored at WELDCLASS.

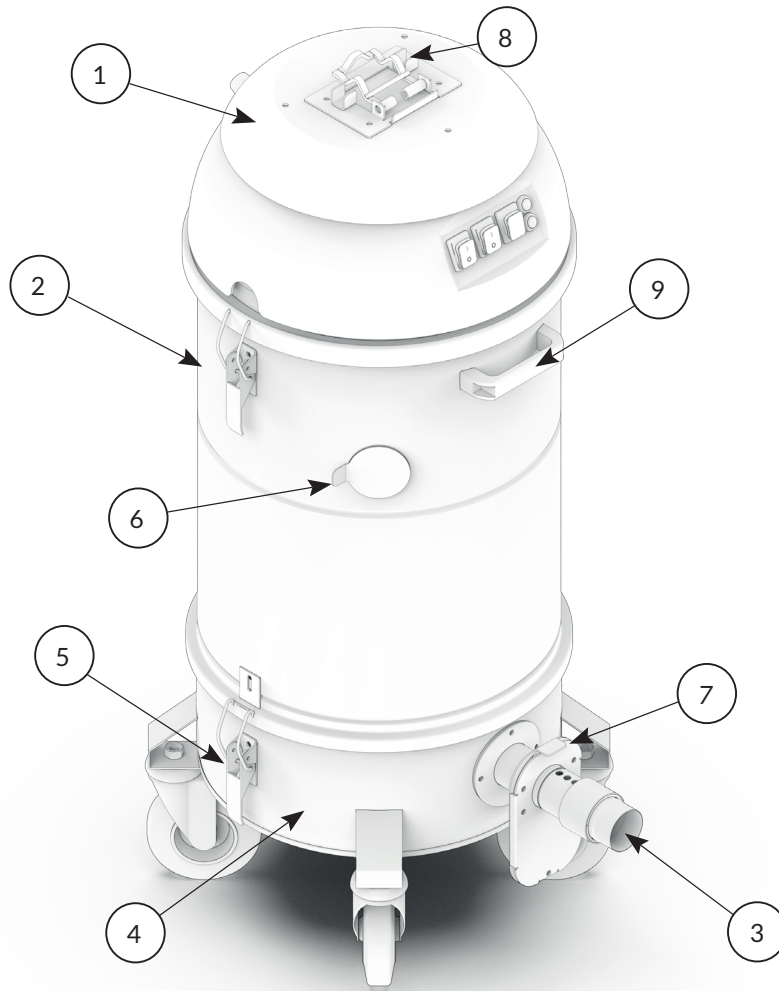
In compliance with Regulation 1907/2006/EC (REACH), WELDCLASS declares that its products do not contain any of the substances, so-called substances of very high concern - SVHC i.e. Substances of Very High Concern - listed in the Candidate List.

The manual should be made available to all personnel responsible for operating and maintaining the vacuum cleaner.

The manual must accompany the vacuum cleaner in case of resale!



1.2. IDENTIFICATION OF MAJOR PARTS



1. Vacuum head with on/off controls
2. Filter chamber
3. Suction nozzle with flow reducer
4. Dust/debris collection container
5. Container closing hooks
6. JetClean® cleaning plate
7. JetClean® Cleaning Damper
8. Cage with sensor for welding machine
9. Handle for handling the vacuum cleaner



1.3. OPTIONAL PARTS

Depending on the vacuum cleaner's application, a wide range of other optional accessories is available from WELDCLASS.

1.4. MANUFACTURER IDENTIFICATION DATA

Legal Name: JWL Marketing Pty Ltd

Trading as: Weldclass Welding Products

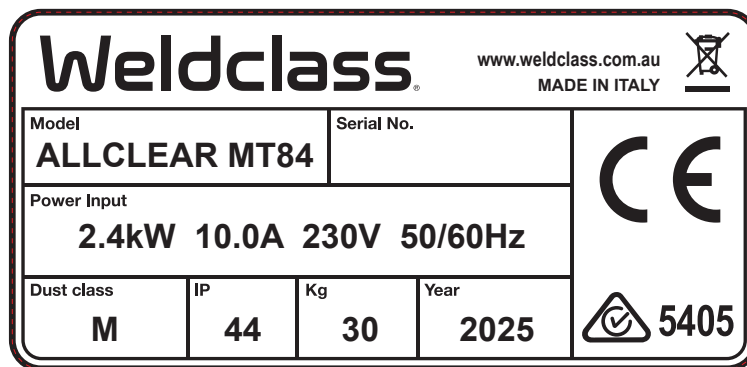
6 East West Place, Tamworth NSW 2340

Phone: 02 6764 9590 International Phone: +612 6764 9590 ABN: 53 115 109 012

Email: sales@weldclass.com.au

website: www.weldclass.com.au

1.5. NAME PLATE



1.6. INTENDED USES

These vacuum cleaners are manufactured according to the Machinery Directive 2006/42/EC, are designed to be used by a single operator and are intended for:

- to industrial use, such as in manufacturing plants or warehouses;
- To dry/wet cleaning of floors or walls;
- To the suction of wet or damp substances;
- To the extraction of dry, non-combustible dust.

WARNING

Where there is the presence of combustible dust and/or flammable gases in the workplace, it is the responsibility of the Employer to make the classification of the area and choose a Category machine (as defined in Directive 2014/34/EU).

Any other use is considered **NON-COMPLIANT** with the intended use.

1.7. ALLOWABLE ENVIRONMENTAL CONDITIONS

To ensure proper operation of the vacuum cleaner, it must be located away from the weather (rain, hail, snow, fog, suspended dust, etc.), with an ambient temperature between 5° and 45°C and humidity not exceeding 70%. The work environment should be clean and adequately bright.



1.8. NOISE LEVEL

Phonometric tests carried out on this specific vacuum cleaner model show a sound pressure level of:

Machine	Noise level
ALLCLEAR® MT84	72 dB(A)

WARNING

- For sound pressure levels above 85 dB(A), workers must be protected by appropriate personal protective equipment (PPE), such as approved individual hearing protectors.
- For such conditions, it is necessary to provide workers with training and information on the risks of noise exposure.

1.9. TECHNICAL DATA

	Unit of measurement	ALLCLEAR® MT84
Weight	[kg]	36
Dimensions	[mm]	534 x 471
Height	[mm]	983
Voltage / Frequency	[V] - [Hz]	230 - 50/60
Power	[Watt] - [HP]	2600 - 3,5
Suction mouth diameter	[Ø mm]	50
Motors type		2x By-Pass
Max vacuum / Continuous vacuum	[m Bar]	- / 250
Max air flow rate	[m ³ /h]	380
Primary filter		Conical cartridge
Primary filter surface	[cm ²]	35000
Media		Polyester PTFE
Absolute filter		HEPA H14 *
Absolute filter surface	[cm ²]	22000
Noisiness	[dB(A)]	72
Container capacity	[L]	20

* = optional filter



The vacuum cleaner can be equipped with the following filters, distinguished between the supplied and optional filters:

	STELLAR M	STELLAR ANTISTATIC	STELLAR TEFLON	STELLAR ANTISTATIC TEFLON	STELLAR NOMEX	CARTRIDGE CONICA M	CARTRIDGE CONICA ANTISTATIC	CARTRIDGE CONICA HEPA H13	CARTRIDGE HEPA H14
ALLCLEAR® MT84	-	-	-	-	-	●	○	○	○

- = filter supplied with the vacuum cleaner
- = optional filter

1.10. WARRANTY

WELDCLASS guarantees this model of vacuum cleaner for a period of 12 months from the date of purchase, indicated on the fiscal document at the time of delivery of the product. The warranty shall be void if the vacuum cleaner has been repaired by unauthorized third parties or if equipment, accessories or components not supplied or authorized by WELDCLASS or for which the serial number is found to have been removed (during the warranty period) are used. WELDCLASS agrees to repair or replace free of charge those parts or components that within the warranty period are proven to be defective from manufacture.

Repairs are carried out exclusively at our premises or at the Service Center indicated by us and must be received carriage paid (freight charges to be paid by the user, unless otherwise agreed).

The warranty does not cover the cleaning of working organs.

The purchase tax document must be shown to the authorized technical personnel performing the repair or must accompany the vacuum cleaner in shipment. Defects not clearly attributed to material or manufacture will be investigated exclusively at our office or at our designated Technical Service Center. Should the claim prove to be unjustified, all costs of repair and/or replacement of parts, will be charged to the purchaser.

Excluded from the warranty are: accidental damage due to transportation, carelessness or inadequate handling, improper use, not in accordance with the warnings in this booklet, or arising from phenomena not dependent on normal use/operation of the vacuum cleaner.

WELDCLASS is not liable for any personal injury or property damage resulting from improper or incorrect use of the vacuum cleaner.



2. SAFETY SECTION

2.1. SAFETY INFORMATION

Pursuant to Legislative Decree 81/08 and subsequent additions and amendments, the Head of the Safety has an obligation to train, inform and educate workers on the hazards involved in vacuum cleaner use so that they are able to protect their own and others' safety.

Failure to observe basic safety regulations or precautions, could result in an accident during the use, maintenance and repair of the vacuum cleaner. An accident can often be avoided by recognizing potential dangerous situations before they occur. Proper training is the basic prerequisite for this.

WELDCLASS cannot under any circumstances be held responsible for accidents or damage resulting from the use of the vacuum cleaner by personnel who have not been adequately instructed or who have misused it, as well as from failure to comply, even partially, with the accident prevention regulations and intervention procedures contained in this manual.

Safety precautions and warnings are given in this manual and on the product itself. Failure to pay attention to these warning messages can result in accidents with serious consequences for oneself and other people.

WELDCLASS carefully designs and manufactures the equipment and its accessories, identifying and compensating for all possible risks associated with its use. In the event that tools, procedures, working methods or techniques are used, which are not explicitly provided for by WELDCLASS, it will be necessary to ascertain in advance, that there are no dangers to oneself and others, however, the responsibility of WELDCLASS remains excluded

WARNING

Use only original WELDCLASS spare parts. We disclaim any responsibility for the use of non-original spare parts.

2.2. SAFETY PRESCRIPTIONS

WARNING

The directions below play an important role in completely preserving you from all the hazards you may encounter when operating the vacuum cleaner.

However, they will not be able to be separated from the competence and common sense of those who work, as an overall framework for careful accident prevention.

Additional safety requirements specific to different operations are listed in each section.

Prior to use, operators should receive the necessary training in the use of the machine and information on the substances for which it is to be used, including safe methods for removal and disposal of collected material.

Commissioning - connection to the power grid:

- Before commissioning, make sure the vacuum cleaner has no obvious damage.
- Before connecting the inlet, make sure the air hoses are properly positioned (for vacuum cleaners equipped with counter-current air cleaning system). Carry out the operation in a safe area free of explosive atmospheres.
- Before connecting the vacuum cleaner to the mains, make sure that the voltage indicated on the nameplate matches the mains voltage.
- Plug the power cord into an outlet with properly installed grounding contact/connection. Make sure the vacuum cleaner is turned off.
- Mains cable plugs and connectors must be protected from water splashes.
- Check for proper connection to the power grid.



- Ensure that the grounding clamp is properly connected, to a point for which continuity with the grounding system is guaranteed.
- Use only vacuum cleaners with mains connection cables in perfect condition in order to avoid the danger of electric shock.
- Regularly check for damage and signs of wear, cracking, or aging of the grid connection cable.

During operation, avoid:

- Step on, crush, pull or damage the power connection cable.
- Disconnect the cable from the mains only by pulling the plug (do not pull the cable itself).
- When replacing the power supply cable, replace it with one of the same type as the original one installed.
- The power cord must be replaced by the manufacturer's Service Department or equivalent qualified personnel.

It is absolutely forbidden:

- Use of this vacuum cleaner by persons who are not adults and properly trained.
- Make the electrical connection to a network without an efficient grounding.
- Outdoor use in the presence of atmospheric precipitation.
- The use and storage of the vacuum cleaner outdoors in humid conditions.
- The use of the vacuum cleaner in the absence of the appropriate lock placed on the rotating wheel during vacuuming operations.
- The use of the vacuum cleaner placed on unlevel and non-horizontal surfaces.
- Use in corrosive environments.
- Roll or bend the hose during suction.
- For ATEX versions and models, the use of hoses that are not antistatic in the mass (only surface antistaticity is not allowed).
- The use of original WELDCCLASS accessories is recommended. Check with an ohmmeter for electrical continuity:
 - between nozzle and end of suction accessories: the resistance detected must be less than $100M\Omega$ (for ATEX versions and models);
 - between container and plug (ground pin) in the case of electric machine, or between container and grounding wire (supplied) in the case of compressed air models: the resistance detected must be: - less than 10Ω (for models and versions where compressed air supply is provided).
- Use of the machine in unclassified working environments according to the information on the machine's nameplate.
- Vacuum the following materials:
 - burning materials (embers, hot ashes, lit cigarettes, etc.);
 - open flames;
 - combustible gases;
 - Flammable, combustible, aggressive liquids (gasoline, solvents, acids, alkaline solutions, etc.);
 - Explosive and spontaneously igniting dusts/substances and/or mixtures thereof (magnesium powders, etc.).
- Prolonged contact with solvents and inhalation of their vapors.
- Use near open flames or heat sources; then ensure adequate ventilation.
- The use of the exhaust fan in rooms where the suitable air exchange rate is not guaranteed, in the case where exhaust air is recirculated in the said room. To meet the required limit values, the recirculation volume flow rate must not exceed 50% of the volume of fresh air.
- Tamper with or change the limiting valve set by the manufacturer (in models where present).
- Do not use the JetClean cleaning system in the presence of potentially explosive clouds in the atmosphere (for models and versions where this cleaning system is provided).
- Perform maintenance on the industrial vacuum cleaner in ATEX classified areas (for ATEX models and versions).
- Perform maintenance on the vacuum cleaner without first turning off the machine and unplugging the electrical plug from the outlet.



- Keep foreign materials such as debris, oil, tools and other objects inside the container that could damage operation and cause personal injury.
- The use of flammable or toxic solvents such as gasoline, benzene, ether and alcohol for cleaning.
- Use without the filter unit provided by the manufacturer.
- The use of the industrial vacuum cleaner in the absence of safety devices or with such devices inefficient
- The use of the industrial vacuum cleaner with guards and guards not in place.
- Insert hands inside the container positioning guides and between the container and the vacuum cleaner during the operation of Inserting and locking the debris container under the vacuum cleaner itself: movement of the lifting handle can cause fingers to be crushed. Therefore wear gloves when removing the suction head, filter unit or del collection container.
- Open the container with the vacuum cleaner running.
- Open the container in the area classified as potentially explosive.
- Continue to keep the vacuum cleaner activated and powered through the mains plug in case of prolonged work breaks after use.
- Add extension lines, plug-in connection devices and adapters.
- Get on the vacuum cleaner.
- Move the vacuum cleaner while it is running.
- Wear loose or dangling garments such as ties, scarves, torn clothing that can snag or be sucked up by the vacuum cleaner.
- Touch electrical wires, switches, buttons, etc. with wet hands.
- Touching, while using the industrial vacuum cleaner, some components (motor terminal board, motor body in particular) that may reach high temperatures.

WARNING

This vacuum cleaner may contain dust that is harmful to health.

Emptying and maintenance procedures, including the disposal of dust collection containers, should be carried out only by trained personnel wearing appropriate protective equipment.

This manual should always be available for reference on the planned operating cycle and whenever there is any doubt.

If it is lost or damaged, a replacement copy should be requested from WELDCLASS.



2.3. SAFETY PLATES AND SYMBOLS

Labels with safety symbols and/or messages are attached to the vacuum cleaner and packaging. At these pages their exact location and nature of the hazard is indicated.

WARNING

The nameplates and symbols below are indicative and may not be applicable to the models in the vacuum cleaner series described. The presence of each symbol will vary according to the specifications of the series and/or individual model.

WARNING

Ensure that all safety messages are legible. The user is required to immediately replace any safety plates that become illegible due to wear and tear or damage.

Clean them using a cloth, soap and water. Do not use solvents, naphtha or gasoline. Replace damaged plates by requesting them from WELDCCLASS.

If a nameplate is on a part that is being replaced, make sure a new nameplate is attached to the new part.



This sticker indicates that the device can vacuum dust up to class M.



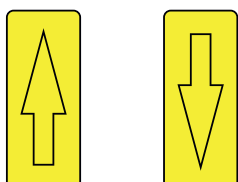
This sticker indicates that the device can vacuum dust up to class H.



This sticker indicates the manual filter cleaning system.



This sticker warns of the danger of crushing limbs.



This sticker indicates the need to align the vacuum cleaner components for proper operation.



This sticker indicates that the vacuum cleaner is grounded.



This sticker indicates the supply voltage of the vacuum cleaner.



This sticker indicates the supply voltage of the vacuum cleaner.



This sticker indicates the maximum liquid level inside the container (for models and versions where applicable).



Hexagon Ex - ATEX Directive 2014/34/EU
This sticker indicates that the vacuum cleaner is certified for use in hazardous areas (for dedicated models and versions).



This sticker indicates that the device can vacuum combustible dust in areas not classified as ATEX (for dedicated models and versions).

WARNING

Read the operation and maintenance manual carefully before using the vacuum cleaner or performing maintenance work.

It is strictly forbidden to remove the safety labels on the vacuum cleaner and/or its components and packaging.

WELDCASS accepts no responsibility for the safety of the vacuum cleaner if this prohibition is not observed.



2.4. RESIDUAL RISKS

WELDCLASS recommends strict adherence to the instructions, procedures and recommendations in this manual and to current safety regulations. In addition, WELDCLASS recommends the use of the prescribed protective equipment, either integrated into the vacuum cleaner or individual.

In this view, the residual hazards analyzed that are present on the vacuum cleaner and/or its components may be:

Electrical hazards in maintenance due to the need to work under voltage

Pursuant to Legislative Decree 81/08-Articles 80 to 87-it is forbidden to work under voltage, except for the exceptions stipulated in that decree.

Risk of misuse in the presence of liquid, deflagrating and flammable substances

The vacuum cleaner should not be used in an environment containing liquid substances or in the form of liquids that can vaporize at room temperature, flammable dusts, gases.

Risks of operating in a humid environment

Comply with the limits given in this manual in Section 1.8 "Allowable Environmental Conditions."

Risk of misinterpretation of safety pictograms

With reference to the analysis of risks and their identification, WELDCLASS has installed hazard labels from the regulations on graphic symbols on the vacuum cleaner.

The user is required to immediately replace safety plates that become illegible due to wear and tear or damage.

2.5. DIRECTIVES APPLIED

The following guidelines apply to the vacuum cleaner described in this manual:

- 2006/42/EC - Machinery Directive.
- 2014/30/EU - Electromagnetic compatibility directive.
- 2011/65/EU - ROHS - Directive on the restriction of the use of certain hazardous substances in electrical and electronic equipment.
- 2014/35/EU - Low Voltage Directive.
- 2014/34/EU - ATEX Directive (for ATEX models and versions).

Regulatory references, including mandatory requirements, are managed in the Quality Management System and archived at WELDCLASS.

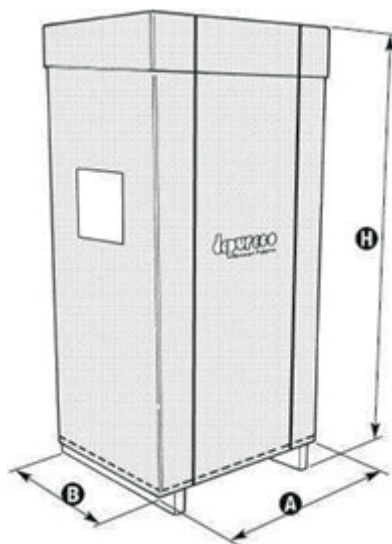


3. HANDLING, UNPACKING AND INSTALLATION SECTION

3.1. HANDLING

The following instructions explain how to pack or unpack the vacuum cleaner for transport.

Packaging size:



	MU.	A	B	H
ALLCLEAR® MT84 - Pallet	[cm]	115	115	110
ALLCLEAR® MT84 - Box	[cm]	55	55	110

Lifting and subsequent handling of the vacuum cleaner should be done only by a forklift of appropriate capacity for the weight.

When moving with the forklift, lift the load 200 mm off the ground and swing backward.

When lifting loads, take into account the height of the environment in which you are working.

Before starting the movement make sure the passage area is clear and that there are no moving objects on the package. For lifting and handling, apply current accident prevention laws and normal forklift driving instructions.

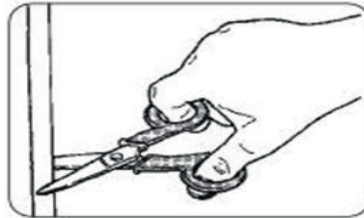
Move the device only at walking pace and, on sloping paths, in twos if necessary.



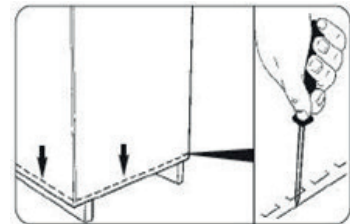
3.2. UNPACKING

To perform unpacking of the machine:

- Cut the fixing tapes.



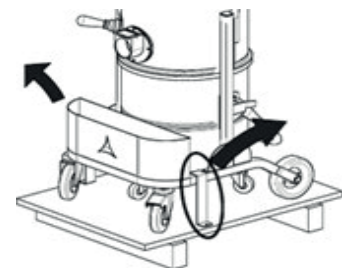
- Remove the retainers with the help of a hammer and screwdriver.



- Unwrap the cardboard packaging.



- Remove all fasteners provided by the manufacturer at packing stage using appropriate tools.



Remove the machine from the support platform by helping yourself with a ramp of suitable capacity and leading the vacuum from the handle.

Conduct these operations on flat, horizontal surfaces. The load-bearing capacity of the support surface must be adequate for the weight of the machine.

Provide ample space around the plant in order to operate with freedom of movement and to allow easy operations by operators in anticipation of future maintenance work.

WARNING

WELDCASS is not liable for any damage caused to the machine during lifting if the proper equipment is not used.

WARNING

For possible subsequent transport, the vacuum cleaner should be anchored to the support platform by means of a locking system similar to that described above.

WARNING

Dispose of packaging materials in accordance with current legislation.



3.3. INSTALLATION

! WARNING!

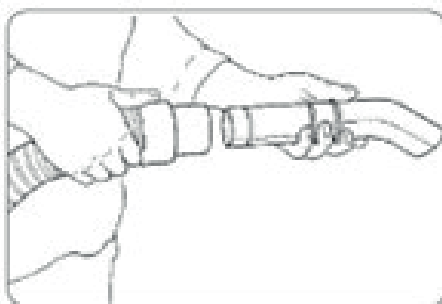
The following must be complied with before installing the vacuum cleaner
In section 2.2 "Safety requirements."

! WARNING!

Before installing the vacuum cleaner, it is necessary to make a careful prior visual inspection in order to detect any damage incurred during transportation.

If one or more components are found to be damaged, it is essential not to proceed further with the installation and to report the anomaly found to WELDCLASS, agreeing with it on the action to be taken.
The machine arrives with the planned filter unit already installed.

- Insert the hose equipped with a terminal into the appropriate suction nozzle (Part.3 section 1.2).
- Insert the desired accessory for the suction type from the opposite side of the hose.

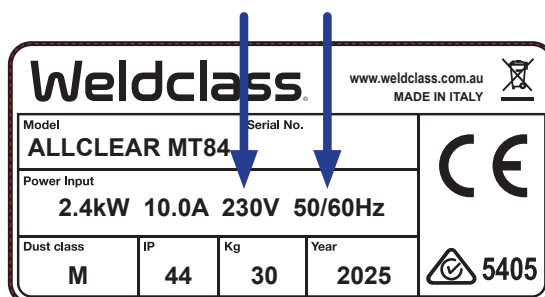


Note: The hose with its terminals and suction accessories are not included in the STANDARD equipment. Contact your dealer (or WELDCLASS) for information regarding the different types of OPTIONAL accessories that can be used for this specific vacuum cleaner model.

! WARNING

The following operation should be carried out by an electrical technician.

Verify that the electrical supply line matches the voltage and frequency indicated on the vacuum cleaner nameplate and that it is efficiently grounded.



- Finally, insert the plug (standard equipment) into the power outlet.



⚠ WARNING

The power outlet to power the vacuum cleaner must be protected by a CE-compliant mains disconnect switch.

⚠ WARNING

Do not insert the plug into the outlet with wet hands. The use of extension cords is not allowed. Before attaching the vacuum cleaner to the power outlet, make sure:

- The power cord is intact and in perfect condition.
- The voltage of the supply line corresponds to that marked on the nameplate data label of the vacuum cleaner.
- The power plug is properly inserted into the power outlet.
- The hose is properly inserted and locked into the suction nozzle.
- The debris container/Endless Bag is regularly present and locked on the vacuum cleaner.
- No dust escapes when replacing accessories.

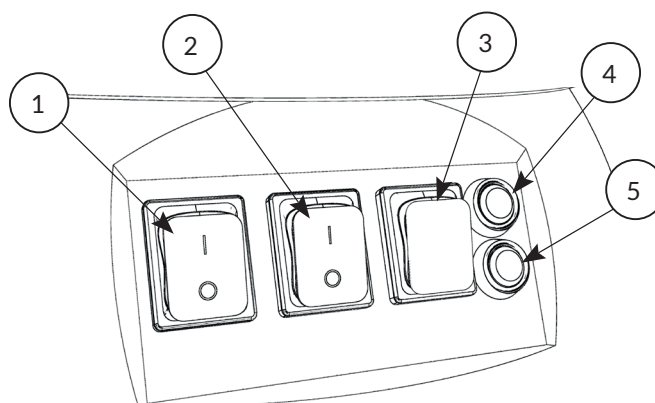


4. OPERATION SECTION

4.1. COMMAND DESCRIPTION

WARNING

- Before proceeding to use the vacuum cleaner, it is necessary to comply with what is stated in Section 2.2 "Safety Requirements."
- Only authorized personnel who have read these operating and maintenance instructions are allowed to use the vacuum cleaner. The user of the equipment and the maintenance technician who carry out permissible work on the vacuum cleaner must receive appropriate education, information and training, as required by current labor safety laws, and use for the various operations, the prescribed personal protective equipment (PPE), such as safety footwear, gloves, goggles, mask, etc. The user must observe the current regulations for sucked materials and their disposal.
- Before a new work cycle, the personnel in charge must verify that the normal safe operating conditions of the vacuum cleaner and, in particular, the safety devices and protective guards involved in the operation are ensured.
- In case of prolonged work breaks and after use is over, turn off the appliance from the appliance switch and unplug the mains plug.



- General switch 1 **ON-OFF first motor**
General switch 2 **ON-OFF second motor**
General switch 3 **AUTO-OFF-MAN**
White indicator light 4 **VOLTAGE PRESENCE**
5. red indicator light **FILTER CLOGGING**



4.2. DUTY CYCLE

Before starting the aspiration, it is necessary to comply with what is stated in Section 2.2 "Safety Requirements." Specifically:

- Make sure the power cord is not damaged and is in perfect condition.
- Before plugging in the power outlet, make sure that the voltage of the power line matches that indicated on the nameplate data label of the appliance.
- Make sure the power plug is properly inserted into the power outlet.
- Ensure that the suction arm or hose is properly inserted and locked into the suction nozzle.
- Ensure that the debris collection container (if any) is properly positioned and locked under the vacuum cleaner chamber.
- Ensure that the Endless Bag collection system (where fitted) is properly positioned and locked under the vacuum cleaner chamber and that the bag segment is ready for use.

ATTENTION!

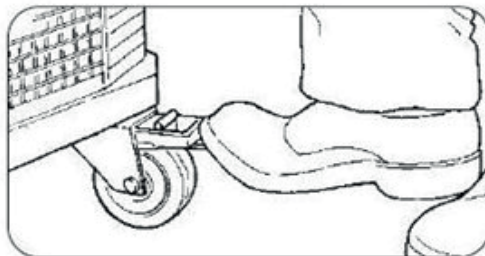
When handling the vacuum cleaner, use the appropriate handles (Part.9 section 1.2).

WARNING

Do not move the vacuum cleaner while it is in operation.

To start suction, proceed as follows:

- Lock the vacuum cleaner by means of the lever on the turning wheel, as shown in the figure.



- Grip the end of the hose with the chosen suction attachment or place the end of the suction arm at the suction point.



ALLCLEAR® MT84

- Select the operation mode of the vacuum cleaner by turning the switch (Part.3 section 1.2) to the "AUTO" or "MAN" position.

CAR: operation in automatic mode via the sensor in the cage (Part.8 paragraph 1.2), which provides for the start of suction at the start of the welding machine connected to the vacuum cleaner and the stop of suction at the stop of the use of the welding machine.

MAN: manual mode operation, which involves starting suction on directly controlled by the operator.

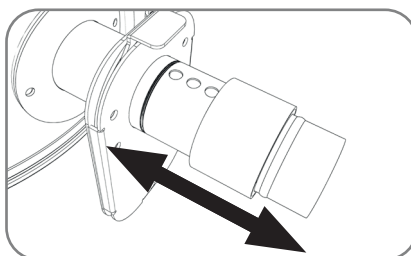
Automatic mode involves using the cage for remote control:

- Check that the switch (Part.3) is on the "0" position.
 - Insert the welding machine cable into the welding machine sensor cage (Part.8 section 1.2).
 - Select via the switch (Part.3) the mode **CAR**.
- Press one of the switches (Part.1 and 2) and start suction.
 - For more suction power, the second motor can be activated by pressing the other button.
 - To turn off the vacuum cleaner, either press the previously activated switches or turn the switch (Part.3) to the "0" position.

ALL MODELS



Air flow can be adjusted using the flow regulator (Part.3 section 1.2). To increase or decrease the head, act on the regulator to change the opening of the holes, partially or fully closing or opening them, until the desired suction power is obtained.





4.3. AIR SPEED CONTROL

An indicator light (Part.4) is mounted on the front of the unit, which lights up if the suction depression inside the unit drops below 20 m/s. Immediate action should be taken in this case.

- Check the hose and/or suction accessory for clogging and eliminate the cause of clogging.
- Perform a filter cleaning cycle (section 4.4).
- Stop work and replace filters.

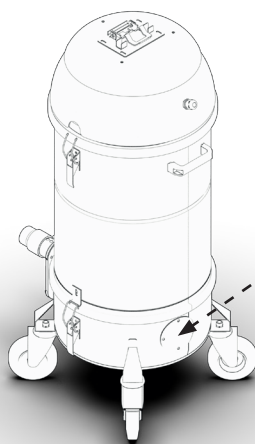
WARNING

Do not use the vacuum cleaner with a clogged filter.

4.4. SECOND INLET INSTALLATION

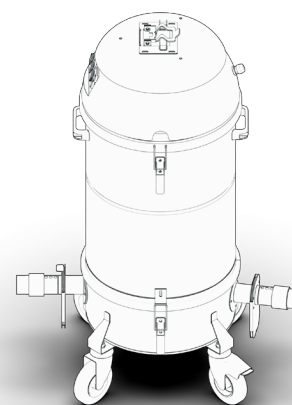
SECOND INLET OPTION

An optional rear suction inlet can be installed. This port is positioned on the back of the machine, directly opposite the main suction inlet.



Vacuum unit without the second inlet installed.

1. Remove the cover from the back of the unit.
2. Keep the rubber gasket in place (do not discard it).
3. Position the second inlet over the rubber gasket.
4. Secure the inlet using the original hardware



Vacuum unit with the second inlet installed.

WARNING

Avoid stepping on, crushing, pulling or damaging the mains connection cable during operation. Avoid disconnecting the cable from the mains only by pulling the plug (do not pull the cable itself). When replacing the mains cable, replace it only with one of the same type as the original one installed. Replacement must be done by the manufacturer or equivalent qualified personnel.

Those responsible for plant safety must ensure that:

- Any improper use or maneuvering be avoided.
- Safety devices are not removed or tampered with.
- Regular maintenance work is carried out.
- Machine parts (attachments, drilling, etc.) are not modified for any reason to fit additional devices.
- Only original WELDCCLASS spare parts should be used.
- Be prevented from rolling or bending the hose during the suction operation.

WARNING

If dust is escaping from the vacuum cleaner head, the filter may have broken. In this case, the vacuum cleaner should be stopped immediately.



4.5. FILTER CLEANING CYCLE

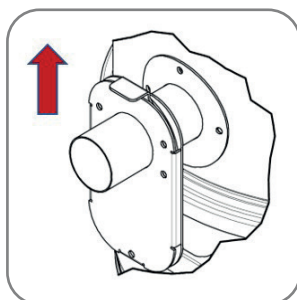
It is advisable to perform a filter cleaning cycle every 20 minutes of use or if you experience a drop in performance.

To perform a filter cleaning cycle:

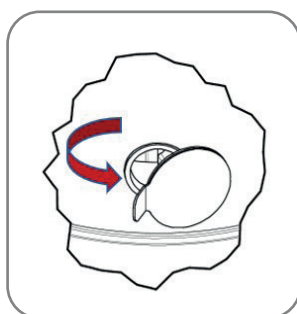
ALLCLEAR® MT84 models are equipped with the JetClean® cleaning system.

The system works due to the pressure difference between the atmosphere inside and outside the vacuum cleaner causing the dust to detach from the filter fabric of the cartridge, without the need to turn off the vacuum cleaner.

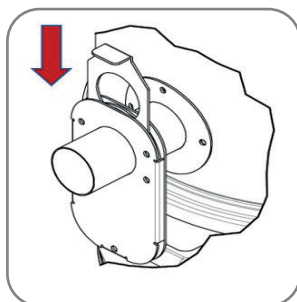
- With the vacuum cleaner on, raise the damper (Part.7 section 1.2) located on the suction nozzle.



- Quickly open and release the plate (Part.6 section 1.2) and repeat the operation at least three times.



- Lower the damper and resume normal use.



If the vacuum cleaner does not work properly after filter cleaning, the main filter may need to be replaced (see dedicated chapter). If the vacuum is not significantly reduced by replacing the filter, it means that another problem is present (see chapter "If something is not working").

WARNING

Do not use the vacuum cleaner with a clogged filter.



4.6. EMPTYING THE CONTAINER

WARNING

The container/Endless Bag should not only be emptied when full, but also at the end of each work cycle and before being transported. During this operation, use the appropriate PPE (gloves, dust mask, goggles, etc.).

WARNING

Depending on the type of material vacuumed and the amount, the debris container/Endless Bag should be checked periodically and overfilling should be avoided.

WARNING

Before proceeding with emptying, turn off the machine and lock the vacuum cleaner by means of the lever on the turning wheel.

- Unlock the container by unhooking the locking hooks (Part.5 section 1.2).
- Pull the container (Part.4 section 1.2) out from under the chamber.
- Empty the container into the receptacle intended for waste disposal in accordance with the laws of the country of use.



WARNING

If the container weighs more than 50 pounds, you need to get help from another person.

WARNING

Waste disposal must be in accordance with the laws in force in the country where the vacuum cleaner is used.

WARNING

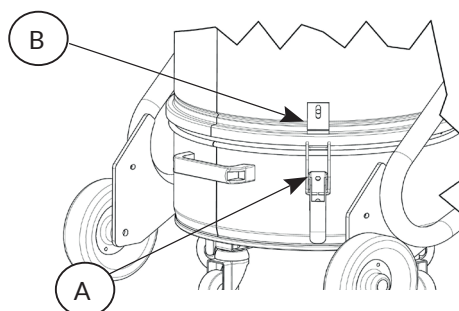
In the case of dust extraction that may give rise to self-ignition phenomena, the collection bin must be emptied immediately after each activity.

This precaution should also be taken in the case of aspiration of dust of different types whose mixture may give rise to exothermic reactions.



4.7. INSERTING AND LOCKING THE CONTAINER

- Insert the container under the vacuum cleaner by aligning the locking hooks (A) with the strikers (B) located on the filter chamber.
- Lift the container toward the room and lock the locking hooks. If necessary get help from a second person.



WARNING

Danger of crushing upper limbs!

Never insert your hands between the container and the vacuum cleaner during the clamping operation.

4.8. STORAGE - DECOMMISSIONING

Remove the filter and clean it, empty the debris collection container / Endless Bag and store the vacuum cleaner in a place sheltered from the weather with temperatures between 5° and 45°C, covering it with a nylon cloth so as to prevent dust accumulation.





5. MAINTENANCE SECTION

WARNING

Extraordinary maintenance of the vacuum cleaner should be carried out only by specialized technicians recognized by the WELDCLASS dealer.

5.1. INFORMATIONAL NOTES

Maximum vacuum cleaner reliability and minimum maintenance cost are the result of a planned and scrupulously followed maintenance and inspection program throughout the life of the vacuum cleaner. It is important to:

- Strictly adhere to the established maintenance time intervals and cadence the maintenance work according to the specific needs in relation to the production cycle of the vacuum cleaner.
- Always use tools that are in perfect condition and specially made for the task at hand; the use of unsuitable and inefficient equipment can cause serious damage.
- Any other work that may be necessary to eliminate faults or malfunctions must be expressly authorized by the manufacturer.
- For major repairs, it is advisable to contact the authorized dealer whose trained staff, equipped with all the technological experience of the original factory construction, is always on call and able to take timely action.
- Disassembly, cleaning, and maintenance of the vacuum cleaner by the user should be carried out whenever possible without leading to hazards to maintenance personnel and third parties. Suitable precautionary measures include decontamination before disassembly, measures for filtered forced ventilation of the room where the unit is disassembled, cleaning of the maintenance area, and suitable personal protective equipment.
- The manufacturer or qualified person should perform, at least once a quarter (or more frequently depending on the working cycle and conditions of use), an inspection to the filters checking that they are not damaged, also check the proper functioning of the control devices.

WARNING

Following maintenance or repair work, all contaminated items that cannot be satisfactorily cleaned should be placed in waterproof bags and disposed of in accordance with applicable laws.

5.2. GENERAL SAFETY STANDARDS

WARNING

All maintenance, repair, or cleaning must be done with the plug disconnected from the power outlet (and the air disconnected for the CCA system). Appropriate PPE (protective clothing, goggles and/or gloves, etc.) must be worn depending on the work to be performed.

Affix a sign on the vacuum cleaner indicating:

"MACHINE UNDER MAINTENANCE DO NOT START"

Before resuming service, recheck the entire system in accordance with the start-up procedures. Perform a few test cycles after each maintenance operation to check that the machine is working properly. Failure to observe these precautions may result in serious injury to personnel. Maintenance work must be performed by technicians who are skilled and trained in the specific areas, which for this machine are:

- Mechanical maintenance.
- Electrical maintenance.

It is the specific duty of the **Head of Security** Ensure the professionalism and competence of the aforementioned people.

Before starting a maintenance task, the Safety Officer must:



- Have the work area cleared of outsiders.
- Make sure the necessary tools are within reach of the maintainer and are in good condition.
- Ensure that the maintenance worker has the necessary personal protective equipment for the specific operation (gloves, goggles, shoes, mask, etc.).
- Ensure that the maintainer has carefully read the instructions in this manual and is fully familiar with the operation of the vacuum cleaner and its components.
- Check for sufficient lighting and provide 24-volt powered portable lamps if necessary.

Before starting maintenance work, the Maintainer must disconnect all electrical supplies and put the vacuum cleaner in a safety lockout condition and disconnect the connection to compressed air (where applicable).

WARNING

If it is absolutely necessary to operate with the power on, when required by D. Lgs. 81/08, the maintainer must keep a safe distance, have stop buttons within reach, and never put hands in the discharge volume. At the end of the intervention and before resuming service, the maintainer must recheck the functionality of safety devices and the integrity of protections.

Work on motors or other electrical components should be performed only by the specially trained Electrical Maintenance Worker authorized by the Safety Officer.

WARNING

After each maintenance work, the Safety Officer is obliged to ensure the safe condition of the vacuum cleaner and its protective devices.

Before each work shift:

- Check that the power cord and plug are not damaged: replace it immediately if it shows signs of wear and tear, using a cord of the same type (information c/o WELDCLASS) - operation the sole responsibility of an electrician.
- Check the integrity of the safety symbols (pictograms) attached to the vacuum cleaner.
- Check that the debris collection container is empty and properly locked under the vacuum cleaner.
- Verify proper filter efficiency by checking the indicator light or vacuum gauge.
- Check the integrity of the suction hose and accessories to be used.

WARNING

The hose, if perforated, decreases the suction power and disperses dust into the air.



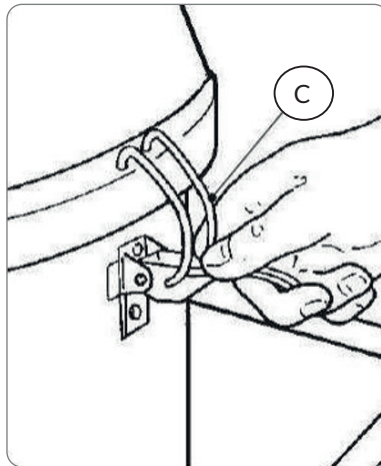
5.3. PRIMARY FILTER REPLACEMENT

WARNING

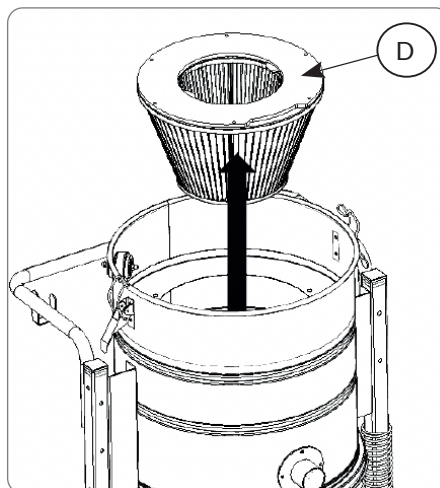
Wear appropriate PPE (dust mask, latex gloves, goggles, etc.).

For the filter replacement primary Operate as follows:

- Turn off the machine.
- Disconnect the vacuum cleaner from the power supply.
- Unlock the two locking hooks (C) of the head on the filter chamber from both sides.



- Remove the head and place it on the workbench.
- Using the appropriate equipment, unscrew the cartridge fixing screws (D) and slide it out from inside the filter chamber.



WARNING

Remove the filter, place it inside a plastic bag, close it and dispose of it according to current laws for the type of material sucked in.



⚠ USE ONLY ORIGINAL WELDCLASS FILTERS!

⚠ TO REASSEMBLE THE FILTER OPERATE THE FOLLOWING OPERATIONS.

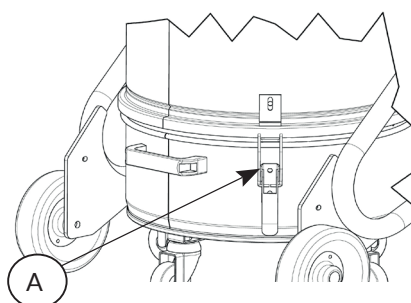
5.4. SPARKS FILTER CLEANING

⚠ WARNING

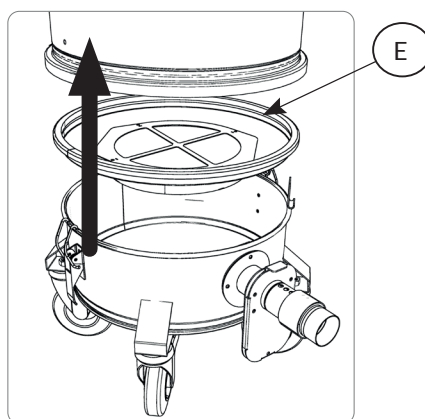
Wear appropriate PPE (dust mask, latex gloves, goggles, etc.).

To clean the spark filter, operate as follows:

- Turn off the machine.
- Disconnect the vacuum cleaner from the power supply.
- Unlock from both sides the two locking hooks (A) of the filter chamber on the dust/debris collection container (Part.5 section 1.2).



- Getting help from a second person, lift the upper section of the vacuum cleaner (Part.1 and 2 paragraph 1.2).
- Slide out the spark filter (E) from the dust/debris collection container.



- Use compressed air (max 6 bar) to clean the spark filter.
- When finished, reposition the filter and upper section of the vacuum cleaner by working backward.



5.5. HEPA FILTER REPLACEMENT

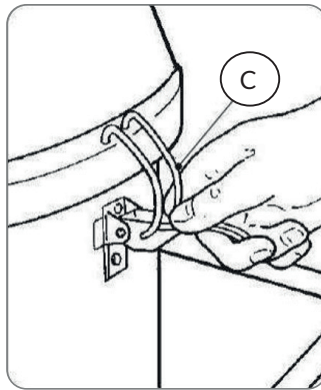
HEPA FILTER OPTION

WARNING

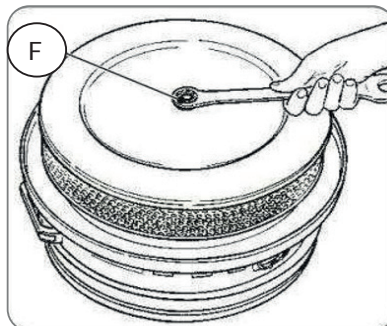
Wear appropriate PPE (dust mask, latex gloves, goggles, etc.).

For the **filter replacement HEPA** Operate as follows:

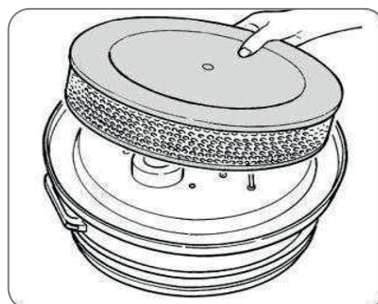
- Turn off the machine.
- Disconnect the vacuum cleaner from the power supply.
- Unlock the two locking hooks (C) of the head on the filter chamber from both sides.



- Remove the head and turn it upside down on the workbench.
- Unscrew the retaining nut (F) of the HEPA cartridge.



- Remove the HEPA filter from the head.





 **WARNING**

Remove the HEPA filter, place it inside a plastic bag, close it, and dispose of it according to current laws for the type of material vacuumed.

 **USE ONLY ORIGINAL WELDCLASS HEPA FILTERS!**

 **TO REMOVE THE HEPA FILTER, DO THE FOLLOWING OPERATIONS.**



5.6. IF SOMETHING DOESN'T WORK

ANOMALY FOUND	POSSIBLE CAUSE	RECOMMENDED REMEDY
The vacuum cleaner does not start.	Lack of power supply.	<ul style="list-style-type: none">• Check for the presence of voltage in the power outlet.• Check the integrity of the plug and power cord.• Contact WELDCLASS technical assistance.
Red light on or vacuum gauge indicating uneven vacuum.	Clogged filter.	<ul style="list-style-type: none">• Shake the filter.• If it is not enough, replace it.
Dust leakage from the vacuum cleaner.	<ul style="list-style-type: none">• Filter washed out.• Filter not suitable for the type of material to be vacuumed.	<ul style="list-style-type: none">• Replace the filter.• Mount the filter suitable for the material to be vacuumed.
Excessively noisy engines.	Failed engines.	Contact WELDCLASS technical assistance.

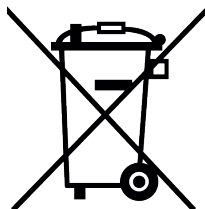
5.7. SCRAPPING

WARNING

In case of scrapping, to avoid damage to the environment, all vacuum cleaner components, shall be disposed of responsibly, in appropriate landfills following the relevant national regulations. Vacuum cleaner parts consisting of plastic material, aluminum, steel, may be recycled by delivering them to the appropriate centers.

The crossed-out bin symbol on the label on the equipment indicates that it complies with the regulations on waste electrical and electronic equipment. Abandoning the equipment in the environment or improperly disposing of it is punishable by law.

RAEE REGISTER ENTRY NO. IT18090000010711





MAINTENANCE LOG

MODEL: _____

MATRICOLA: _____

DELIVERY DATE: _____

ENTERPRISE: _____

ADDRESS: _____ N.

CITY: _____ ZIP CODE: _____

BUSINESS SECTOR: _____

PHONE: _____

RESPONSIBLE: _____

TIMBERS: _____

Weldclass Welding Products

6 East West Place, Tamworth NSW 2340
Phone: 02 6764 9590
International Phone: +612 6764 9590

www.weldclass.com.au
sales@weldclass.com.au

ABN: 53 115 109 012



INTERVENTION 1:

DATE:

TECHNICAL ASSISTANCE:

TYPE OF INTERVENTION:

INTERVENTION 2:

DATE:

TECHNICAL ASSISTANCE:

TYPE OF INTERVENTION:

Weldclass Welding Products

6 East West Place, Tamworth NSW 2340
Phone: 02 6764 9590
International Phone: +612 6764 9590

www.weldclass.com.au
sales@weldclass.com.au

ABN: 53 115 109 012



INTERVENTION 3:

DATE:

TECHNICAL ASSISTANCE:

TYPE OF INTERVENTION:

INTERVENTION 4:

DATE:

TECHNICAL ASSISTANCE:

TYPE OF INTERVENTION:

Weldclass Welding Products

6 East West Place, Tamworth NSW 2340
Phone: 02 6764 9590
International Phone: +612 6764 9590

www.weldclass.com.au
sales@weldclass.com.au

ABN: 53 115 109 012

