



D. Marchiori

ADAPTER KIT DMAK-JGR-M

Hal Jaguar Maritime

Configuration: 150331GPA



This kit has been configured by a customer for partial or complete Pitot Static testing.

The kit requires the use of:

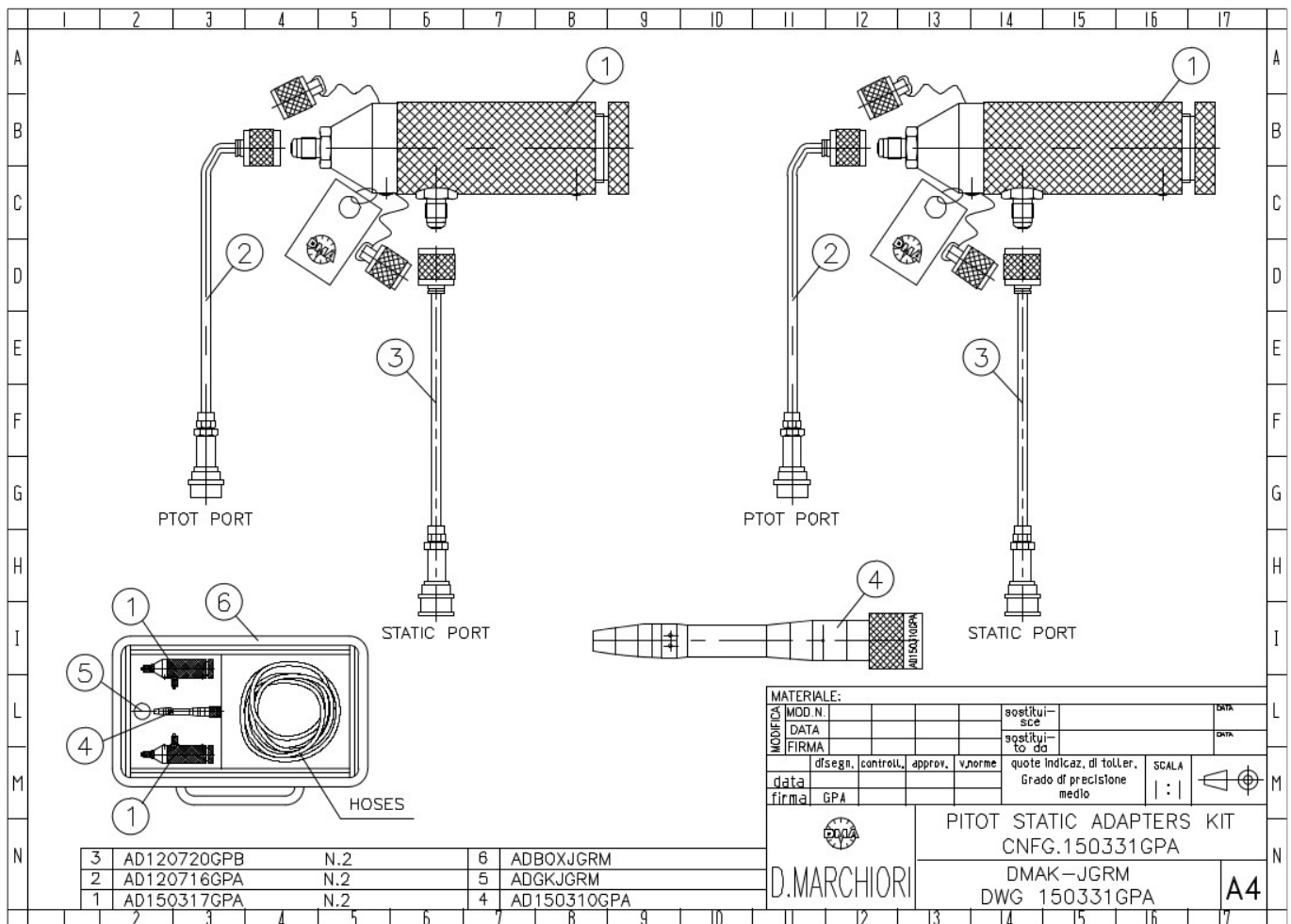
- An ADTS able to simultaneously test multiple ports with multiple isolator, 2 Static and 2 Pitot.
- An ADTS with Hansen pneumatic fittings (1H11 Static, 2H16 Pitot).

The Kit includes:

- A transparent group of hoses (blue Pitot, red Static).
- 1 Pretest probe.

The kit uses "Quick Fit" fittings for easy hose connection.

Please contact DMA to enquire about any of the listed adapter kits, about custom adapters or about any adapters or kits not listed.



D. Marchiori srl
Via Pontina km 43,856
04011 Aprilia (Lt)
Italy

Tel: ++39 06 9282 733
++39 06 9270 3073
Fax: ++39 06 9275 401

E-mail: marchiori@dma-aero.com
Web: www.dma-aero.com

Ongoing development results in specifications being subject to change without notice