



D. Marchiori

ADAPTER KIT DMA-SJ100

Sukhoi SJ100 for completely testing system 6Ps, 3Pt

Configuration: 120409GPA



Please contact DMA to enquire about any of the listed adapter kits, about custom adapters or about any adapters or kits not listed.

The adapter kit contains all the equipment necessary to completely test all the Pitot & Static circuits of the Sukhoi SJ100 series.

The static port adapter uses screws for fixing.

The kit requires the use of:

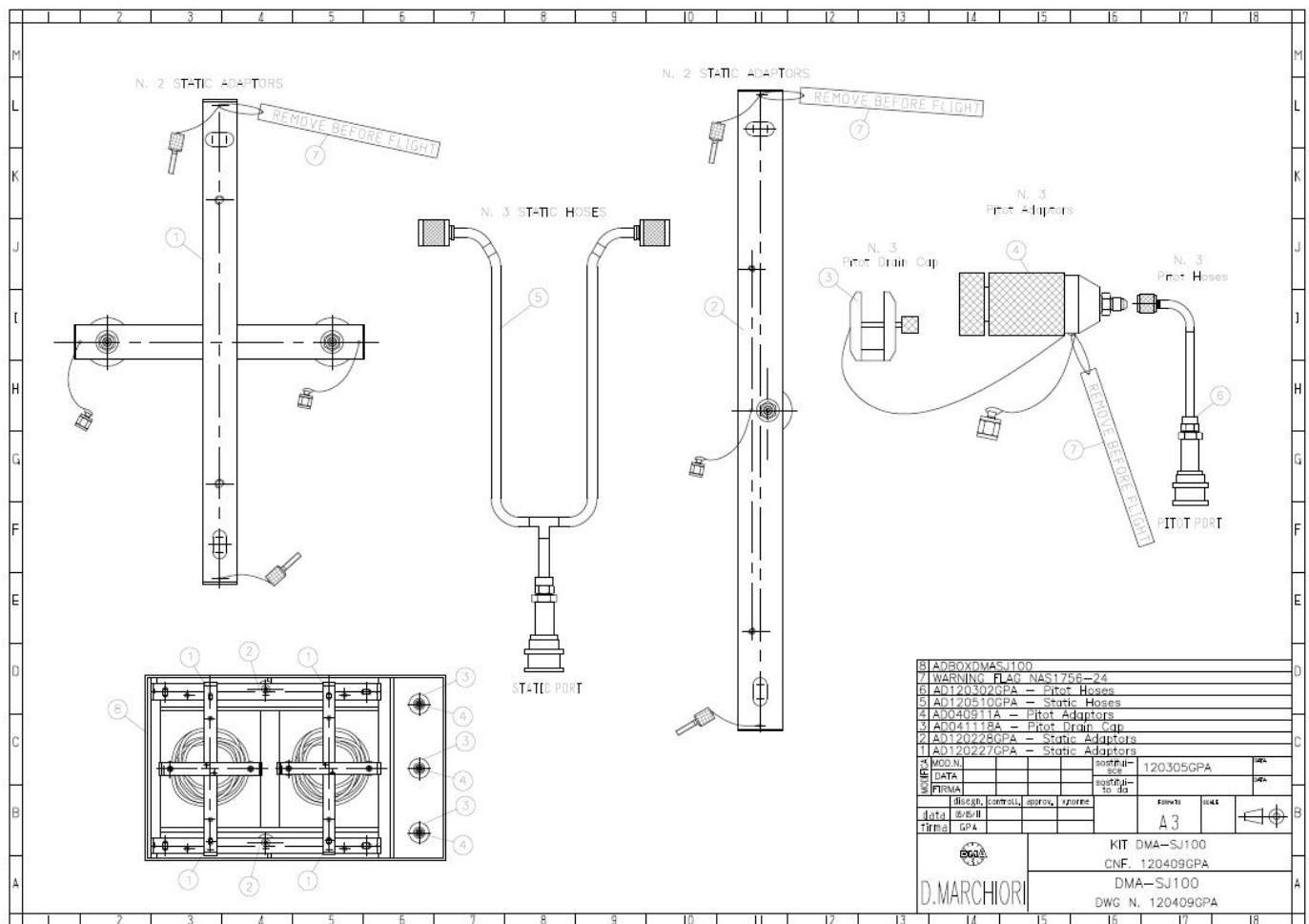
- An ADTS with Hansen pneumatic fittings (1H11 Static, 2H16 Pitot).

The Kit includes:

- A transparent group of hoses (blue Pitot, red Static).

The kit uses "Quick Fit" fittings for easy hose connection.

The kit does not include any pretest devices.



D. Marchiori srl
Via Pontina km 43,856
04011 Aprilia (Lt)
Italy

Tel: +39 06 9282 733
+39 06 9270 3073
Fax: +39 06 9275 401

E-mail: marchiori@dma-aero.com
Web: www.dma-aero.com

Ongoing development results
in specifications being subject
to change without notice