

PRESS RELEASE

December 18, 2018

Audio Precision Introduces B Series APx Audio Analysers

Audio Precision introduces B Series APx Analyzers, including improved specs and capabilities for flagship audio analyser

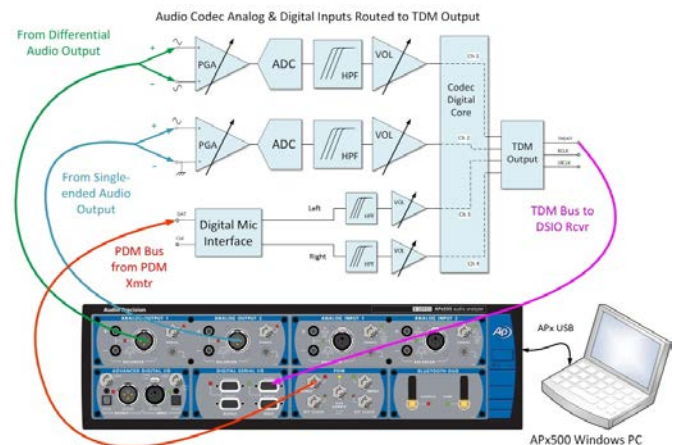
BEAVERTON, OREGON, December 18, 2018: Audio Precision announced today the introduction of the APx555 B Series analyzer, part of their B Series APx audio analyzers. Already the market leader in audio test performance, the second-generation APx555 offers improved sine generator frequency stability, lower system residual distortion, single-ended, balanced analog output and an optional ADC test mode which provides VBias, a common mode DC Bias.

B Series APx555 High-Performance Audio Analyzer

The arrival of the B Series APx555 audio analyzer brings several enhancements to the analog high-performance sine generator that will have broad appeal to developers of high-performance audio devices such as compressors, limiters, amplifiers, codecs and digital signal processors. This enhanced analog generator (EAG)—standard with B Series APx555 analyzers and available as an upgrade for Legacy APx555 systems—provides several improvements in its low distortion sine generator and high-precision sine analyzer, including improved sine generator frequency stability with an accuracy of <30 ppm. The system can now also generate low-distortion analog sine burst signals from 5 Hz to 100 kHz and allows users to independently invert the signal polarity of balanced channel outputs. Finally, the B Series APx555 has lower system residual distortion, with THD+N improvement above 50 kHz (-2 dB) and THD improvement above 5 kHz (varying from -2 to -5 dB).

ADC Test Mode Option

For design engineers validating and testing complex, multichannel analog-to-digital converters (ADCs), the B Series APx555 now offers an ADC Test Mode option capable of generating balanced analog audio signals mixed with a calibrated common mode DC offset voltage. This optional feature is especially useful in testing devices that operate on a single supply voltage and require inputs with a DC bias voltage, such as audio codecs and ADC chips in mobile products.



The ADC Test Mode also includes programmable voltage limits to prevent overvoltage damage to the device being tested. This option is included when a Legacy APx555 analyzer receives an EAG upgrade.

“Originally introduced in late 2014, the APx555 achieved significant, measurable performance that exceeded all other audio test systems,” stated Mike Flaherty, Audio Precision Chief Executive Officer. *“With the introduction of the B Series APx555, its enhanced analog generator and optional ADC Test Mode, the next-generation APx555 raises the performance bar yet again.”*

B Series APx Audio Analyzers

B Series APx analyzers are the successor platform to Audio Precision’s APx platform. While the APx555 is the primary beneficiary of performance improvements, the B Series introduction applies to the entire line of APx audio analyzers, with all systems incorporating a re-designed embedded processor module that enables playback of longer arbitrary waveforms and improved download speeds. B Series APx analyzers require APx500 audio measurement software version 5.0 (or later) but are compatible with APx project files created from version 4.6 (or earlier) software.

Pricing for B Series APx audio analyzers is the same as their Legacy APx counterparts. This includes the B Series APx555 with its enhanced analog generator (EAG). APx500 software v5.0 requires Windows 10 or Windows 8 64-bit operating systems.

For more information, visit:

Australia: <http://www.vicom.com.au/page/161/APxAnalysers>

New Zealand: <http://www.vicom.co.nz/page/161/APxAnalysers>

About Vicom

Vicom is a leading provider of test, measurement, monitoring and communications infrastructure solutions and expertise aimed at improving our customers’ effectiveness in Australia and New Zealand. For more information, please visit our website at:

<http://www.vicom.com.au>

or

<http://www.vicom.co.nz>

Media Contact

Chris Jones
Vicom Australia Pty Ltd
1300 360 251
info@vicom.com.au

About Audio Precision

Audio Precision (AP) is a recognized world leader in electronic audio and electro-acoustic test instrumentation. Since 1984, AP’s analyzers have helped engineers to design and manufacture innovative solutions ranging from semiconductor devices to consumer, automotive, and professional audio products.