

EXTRACT

HALO EC

Exhaust Fan
Installation Manual

IMPORTANT

We strongly recommend that you read this manual carefully before installation. Installation MUST be carried out by a qualified and licensed electrician. This unit must be installed to comply with the appropriate council regulations and the Australia and New Zealand wiring rules AS/NZS3000 and relevant amendments.

For your safety

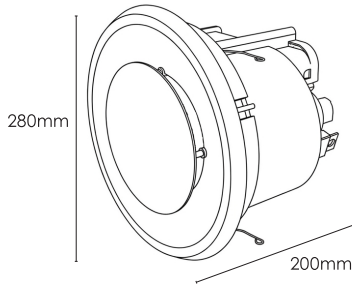
1. Use this product only as described in this manual. The manufacturer does not recommend any other use, as this may cause fire, electric shock, or injury. If you have any questions, contact Vencha.
2. Ensure the mains power is switched off before installation.
3. When cutting into the ceiling, take care not to damage electrical wiring, pipework, or other hidden utilities.
4. The unit must be properly earthed.
5. To prevent dangerous gases from entering the room, the exhaust duct for this product must not be connected to the same flue or ducting system as an air-fuelled water heater, gas appliance, or other open-flame appliance.
6. The power cable must be rated for a minimum 10A load. Cables required for installation of this unit are not included.
7. This appliance is not intended for use by persons, including children, with reduced physical, sensory, or mental capabilities, or lack of experience and knowledge, unless they are supervised or instructed by a person responsible for their safety.
8. The unit must be installed so that switches and controls cannot be reached by a person in the bath or shower.
9. The appliance must not, under any circumstances, be covered with insulating material or similar material.
10. All regulations concerning the discharge of air must be complied with.
11. Joists, beams, and rafters must not be cut or notched to install the appliance.
12. This product is suitable for domestic and light commercial use only. It must be installed and operated in a clean, well-ventilated environment and must not be used in areas where it may be exposed to excessive dust, grease, corrosive substances, chemical vapours, extreme temperatures, water ingress, prolonged condensation build-up, or other conditions that may damage the product, reduce performance, or create a safety risk. Use in unsuitable or harsh environments may void the product warranty.

IMPORTANT INFORMATION BEFORE INSTALLATION

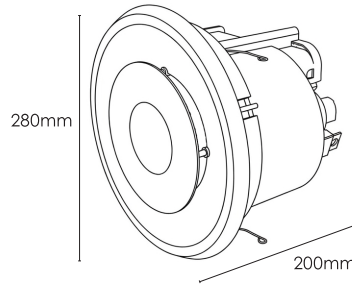
1. The unit should not be installed directly above a shower or bathtub.
2. The unit must not be installed beneath a fixed socket or power outlet.
3. The unit must be installed on flat level surface. Do not mount it on a sloping ceiling or a vertical wall.
4. The unit should not be installed with it is extremely hot.
5. When ducting the unit, ensure duct is not bent in a manner that restricts airflow.
6. For the exhaust fan to work efficiently, replacement air of a volume equivalent to what is being extracted must be able to enter the room.
NB: Generally, this air would be drawn under the door, or through a slightly open window. If the room is airtight, the fan will function poorly.
7. Before commencing any cutting, check in the ceiling space that there are no obstructions such as ceiling joists and that there is sufficient height clearance for the housing. Check that the electrical wiring can be routed from the wall switches to the mounting location.

Code	Description	Motor Size	Airflow	LED Light	Output	Cut Out	Grill Size	Duct
5501040	Extract Halo EC 240 Exhaust Fan - White	20w	320m ³ /h	NA	NA	240mm	280mm	100mm
5501042	Extract Halo EC 290 Exhaust Fan - White	25w	480m ³ /h	NA	NA	290mm	338mm	150mm
5501044	Extract Halo EC 240 Exhaust Fan with Light - White	20w	320m ³ /h	10w	850/950/900	240mm	280mm	100mm
5501046	Extract Halo EC 290 Exhaust Fan with Light - White	25w	480m ³ /h	15w	1250/1400/1300lm	290mm	338mm	150mm

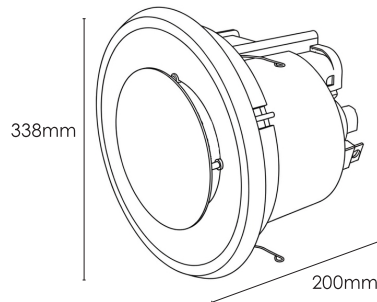
Extract Halo EC 240 Exhaust Fan - White



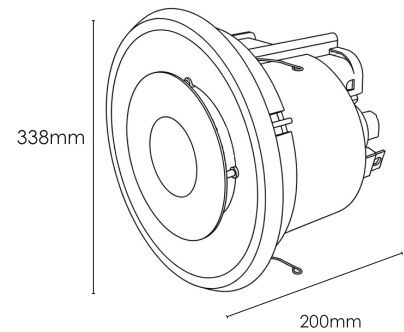
Extract Halo EC 240 Exhaust Fan with Light - White



Extract Halo EC 290 Exhaust Fan - White

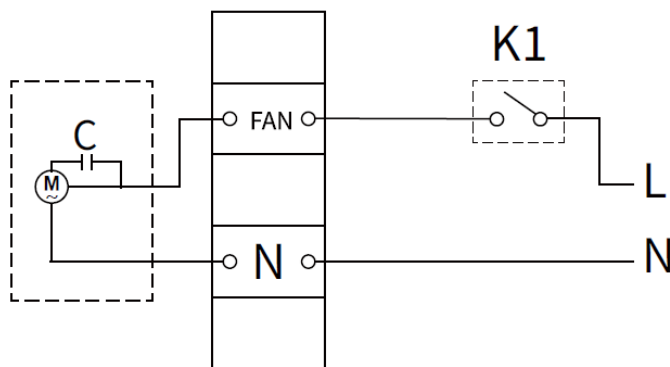


Extract Halo EC 290 Exhaust Fan with Light - White

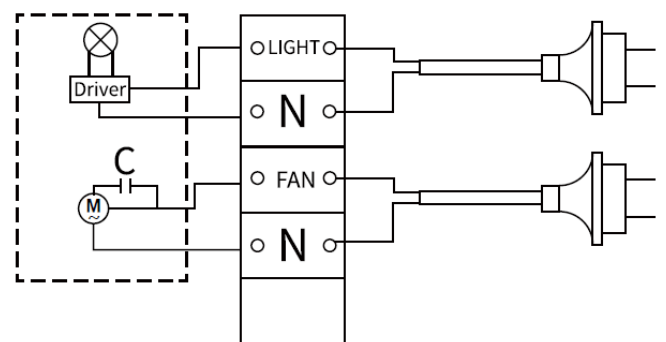


Clearance Requirements

- This unit must be mounted at least 250mm away from vertical walls.
- This unit must have a minimum clearance of 100mm above the top of the unit.
- This unit must have a minimum clearance of 75mm between sides of unit and joists, walls or insulation.



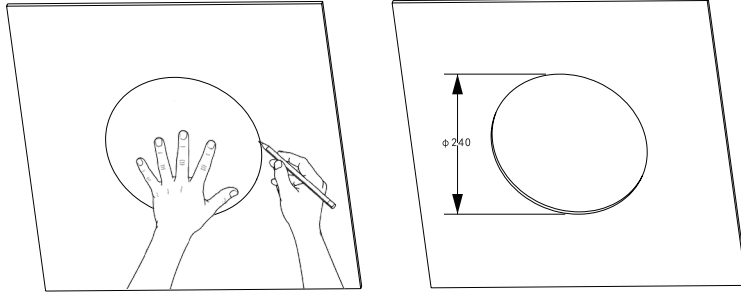
M:Motor C:Capacitor
K:all-pole disconnection switch



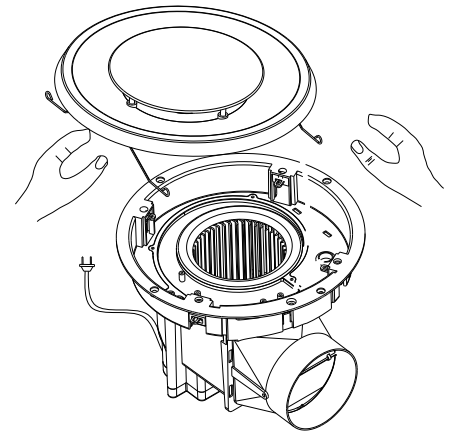
M:Motor C:Capacitor
K:all-pole disconnection switch

Installation - No Light

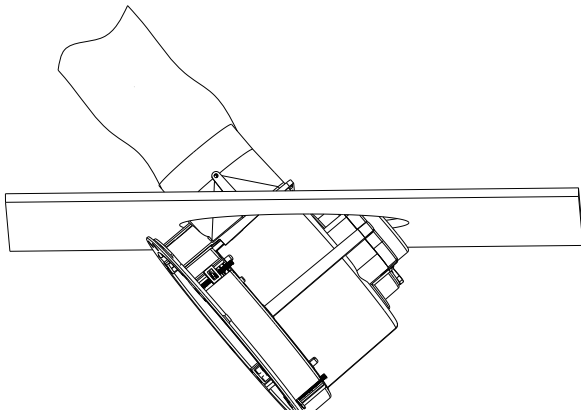
1. Use the hole-cutting template to mark the ceiling opening.
2. Cut the opening in the gypsum board / plasterboard ceiling to match the template dimension shown in the diagram.



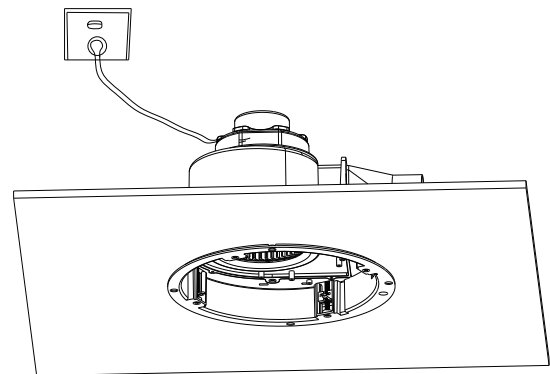
3. Remove the panel / faceplate from the unit.



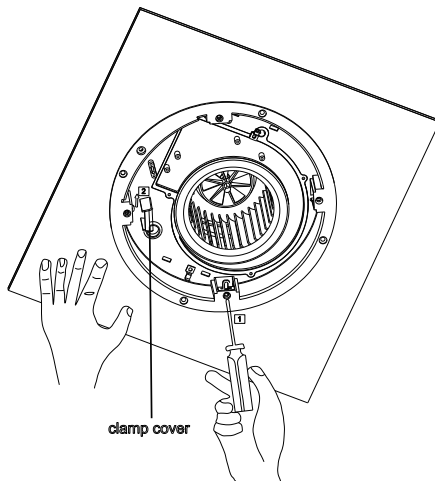
4. Connect and install the ventilation duct.



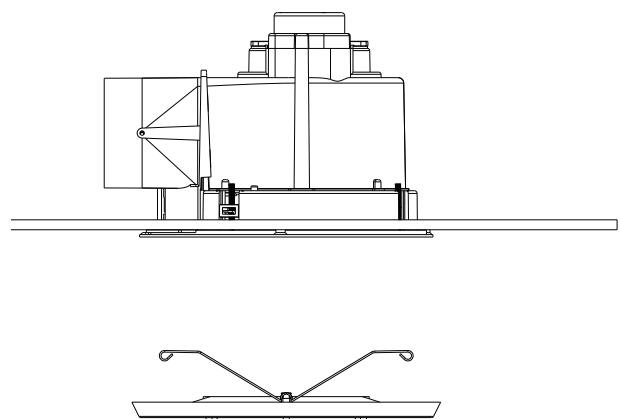
5. Plug in the power plug.



6. Secure the main unit to the ceiling board, then install the clamp cover.

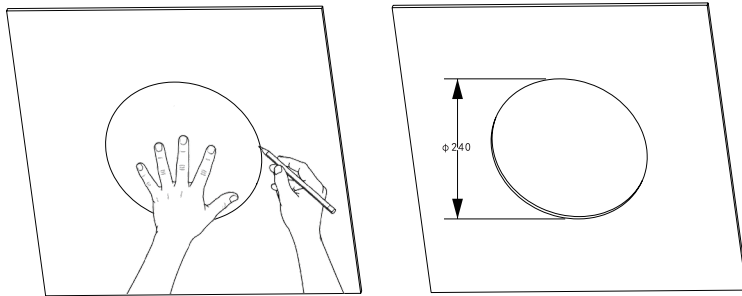


7. Install the panel and snap/clip it flush into place.

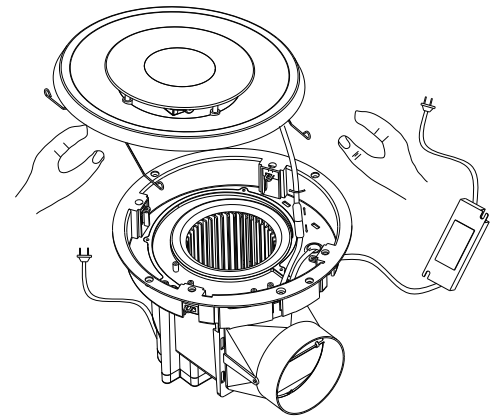


Installation - Light

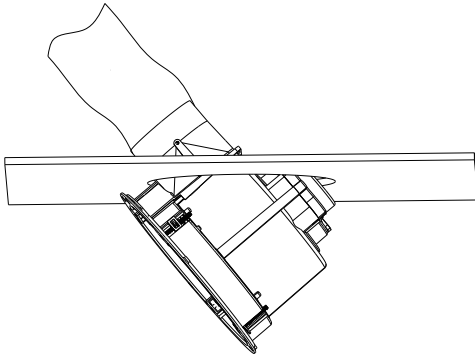
1. Use the hole-cutting template to mark the ceiling opening.
2. Cut the opening in the gypsum board / plasterboard ceiling to match the template dimension shown in the diagram.



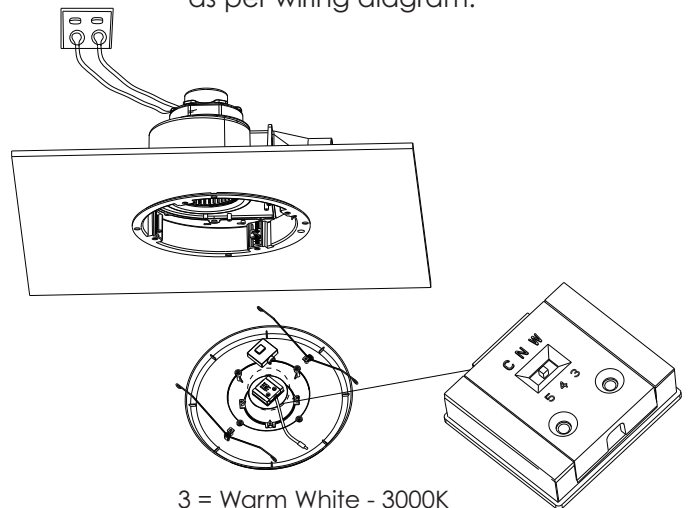
3. Remove the panel / faceplate from the unit.



4. Connect and install the ventilation duct.

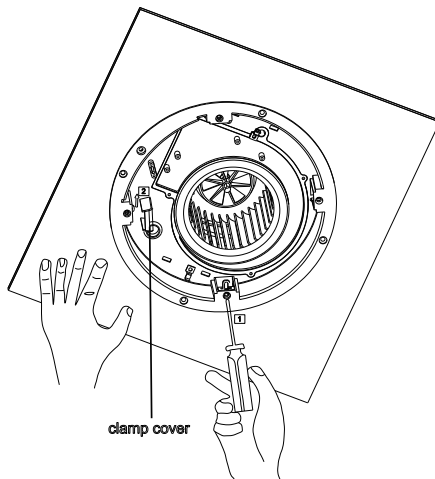


5. Plug in the power plug and wire as per wiring diagram.

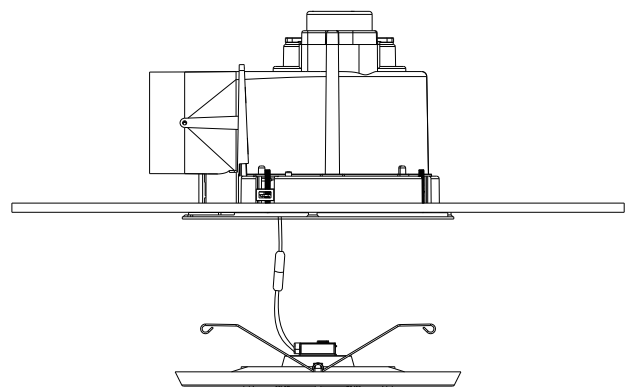


3 = Warm White - 3000K
4 = Cool White - 4000K
5 = Day Light - 5000K

6. Secure the main unit to the ceiling board, then install the clamp cover.



7. Install the panel and snap/clip it flush into place.



OPERATING INSTRUCTIONS

Exhaust

- Press Power button/switch to turn the exhaust function on or off.

Light *If Light Model

- Press Power button/switch to turn light on or off.
- The 3CCT colour temperature selector is located inside the unit. To change the light colour, remove the fascia and toggle the selector to the desired setting.

CARE AND MAINTENANCE

- Ensure the product is switched off before carrying out any maintenance.
- If the product has recently been used, allow sufficient time for it to cool down before cleaning or maintenance.
- To remove the fascia, gently pull it downwards. This will expose four retaining springs. Carefully press the springs together to release them from the slots.
- While removing the fascia, disconnect the LED light plug.
- Using a vacuum with a soft brush attachment, gently clean the fascia to remove any build-up of dust.
- Wipe the fascia with a damp cloth for final cleaning. Do not use abrasive cleaners, solvents, or harsh chemicals.
- While the fascia is removed, use the vacuum with a soft brush attachment to lightly clean inside the unit and remove any dust build-up.
- Ensure the fascia is completely dry before refitting.
- Reconnect the LED light plug, then carefully reattach the fascia to the unit, ensuring the retaining springs are securely positioned back into the slots.

WARRANTY

This product is warranted against manufacturing defects and defects in workmanship for the following periods from the date of purchase:

- **Motor:** 3 years
- **Lighting components:** 2 years, where applicable to light models
- **Commercial applications:** 1 year

For products installed or used in commercial applications, the total warranty period for the product and any lighting components is limited to 1 year.

This warranty covers manufacturing defects only. It does not cover damage or faults caused by incorrect installation, misuse, neglect, modification, normal wear and tear, accidental damage, use in unsuitable environments, failure to follow the instructions in this manual, or installation that does not comply with applicable electrical, building, or ventilation regulations.

Before installation, check all components for visible damage. If any damage is found, do not install the product and contact Vencha or the place of purchase.

Installation must be completed by a licensed electrician in accordance with all applicable regulations. Proof of installation, including the relevant electrical safety certificate or certificate of compliance, may be required for warranty claims. Warranty claims may be rejected if the required installation documentation cannot be provided.

To submit a warranty claim, visit www.vencha.net.au and complete the Warranty Claim Form. Warranty claims may require the following information:

- Proof of purchase
- Product model number and details
- Description of the fault
- Photos or videos showing the fault, where requested
- Owner's name, address, and contact details
- Electrical safety certificate or certificate of compliance, where applicable

Where a valid warranty claim is accepted, Vencha may, at its discretion, repair the product, supply replacement parts, or provide a replacement product of the same or comparable model. Australian Consumer Law

Our goods come with guarantees that cannot be excluded under the Australian Consumer Law. You are entitled to a replacement or refund for a major failure and compensation for any other reasonably foreseeable loss or damage. You are also entitled to have the goods repaired or replaced if the goods fail to be of acceptable quality and the failure does not amount to a major failure.

The benefits provided under this warranty are in addition to any other rights and remedies available to you under the Australian Consumer Law.



1/6 Boden Rd

Seven Hills, NSW 2147

P: (02) 8811 1622

E: warranties@vencha.net.au

W: www.vencha.net.au