

VENCHA

APEX3in1

Bathroom Heater, Light and Exhaust

IMPORTANT

We strongly recommend that you read this manual carefully before installation. Installation MUST be carried out by a qualified and licensed electrician. This unit must be installed to comply with the appropriate council regulations and the Australia and New Zealand wiring rules AS/NZS3000 and relevant amendments.

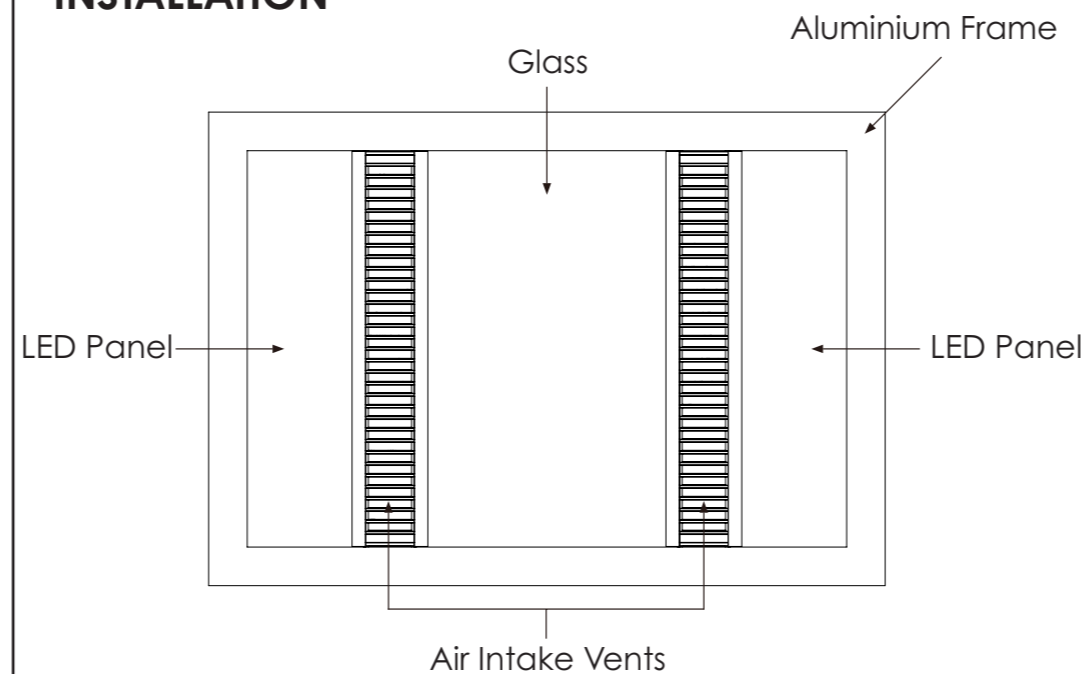
For your safety

- Use this heater only as described in this manual. The manufacturer does not recommend any other use as this may cause fire, electric shock, or injury to persons. If you have questions, contact Vencha.
- Make sure the mains is off before the installation.
- When cutting into the wall, do not damage electrical wiring and other hidden utilities.
- The heater must be properly grounded.
- The heat lamp and glass shield are extremely hot when in use. Do not touch the heat lamp and glass shield with any part of your body when it is on. Allow lamp to cool sufficiently before touching or replacement.
- To avoiding any dangerous gas leaking into your bathroom, the ventiduct of the heater must not be laid together with the ventiduct of air-fuelled water heater or other open-fire appliances into the same flue.
- The power cable must stand a minimum 10A load. Cables required for installation of this unit are not included.
- The appliance is not intended for use by persons (including children) with reduced physical, sensory or mental capabilities, or lack of experience and knowledge, unless under supervision by a person responsible for their safety.
- The heater must be installed where switches and control cannot be touched by a person in the bath or shower.
- The appliance shall, under no circumstances, be covered with insulating material or similar material.
- Regulations concerning the discharge of air must be fulfilled.
- Joists, beams and rafters shall not be cut or notched to install the appliance.
- This product has been designed for INDOOR domestic or similar uses and is not suitable for a commercial installation. It is not suitable for use in an environment heavily laden with dust and/or corrosive areas. Under these conditions the life of the fan motor can be significantly reduced.
- Heat function should not be operated for more than 40 minutes continuously, turn off when not in use.

IMPORTANT INFORMATION BEFORE INSTALLATION

- The unit should not be installed directly above a shower or bathtub. The unit must not be installed in a position where water may splash onto the unit.
- The unit must not be installed beneath a fixed socket or power outlet.
- The unit must be installed on flat level surface. Do not mount it on a sloping ceiling or a vertical wall.
- The heat lamp is most effective when you are standing directly beneath them, so generally the unit would be mounted a place where you would stand to dry yourself.
- For the exhaust fan to work efficiently, replacement air of a volume equivalent to what is being extracted must be able to enter the room.
NB: Generally, this air would be drawn under the door, or through a slightly open window. If the room is airtight, the fan will function poorly.
- Before commencing any cutting, check in the ceiling space that there are no obstructions such as ceiling joists and that there is sufficient height clearance for the housing. Check that the electrical wiring can be routed from the wall switches to the mounting location.

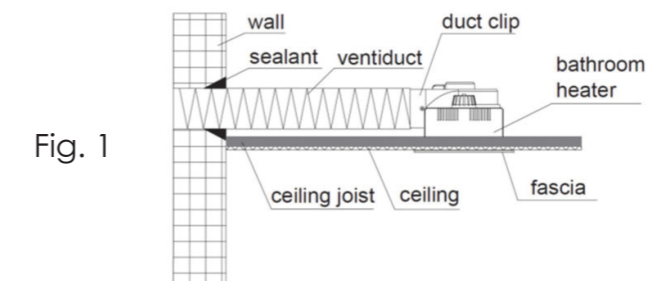
INSTALLATION



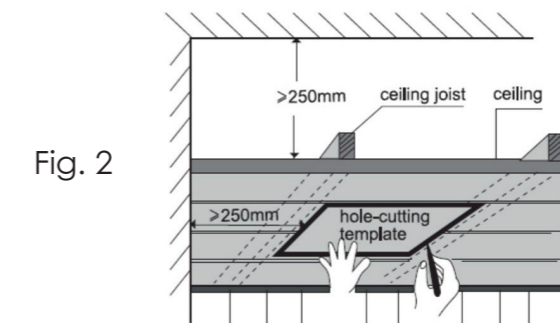
Clearance Requirements

- This unit must be mounted at least 250mm away from vertical walls.
- This unit must have a minimum clearance of 100mm above the top of the unit.
- This unit must have a minimum clearance of 75mm between sides of unit and joists, walls or insulation.

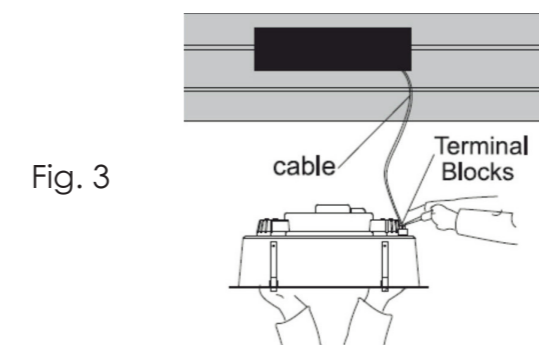
- Turn the power OFF.
- Locate a desired position on the ceiling, do not cut a hole yet.
- As the duct is only 3.0 m, make sure that the distance from the centre of the installation position is not more than 3.0 m from the exterior vent outlet. It is not recommended to use ducting longer than 3.0 m as this will lower the performance of the exhaust fan. Check desired position suits duct length.



Locate a position for the exterior vent on the wall not more than 3.0m from the unit and allow the duct to remain straight. (Refer Fig. 1)

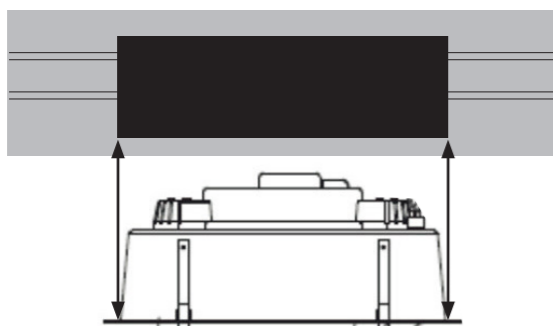


- Place this template against the ceiling and use this template to mark the hole outline on the ceiling, ensuring there is minimum 250mm between the edges of the unit and any wall, and minimum cavity height of 250mm. Cut the hole for the unit. (Refer Fig. 2)
- Keep unit clear from insulation, use a barrier to keep loose-filled insulation material away from unit.
- Cut a 155mm diameter hole for the exterior vent outlet.
- Connect one end of the ducting to the exterior vent and seal the space around the hole.
- Connect one end of the interconnecting cable wire with the switch panel.

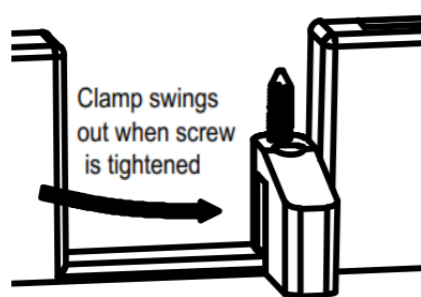


- Open the terminal block cover on the housing and make connections as per wiring diagram and reattach the terminal block cover. (Refer Fig. 3)
- Fix the backdraft stopper to the unit outlet with one duct clip, and fix the end of the ducting to the stopper with another duct clip.

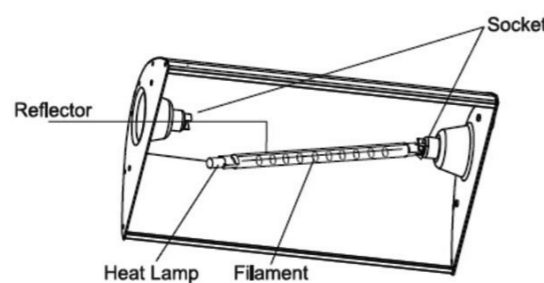
Fig. 4



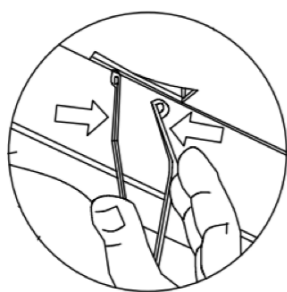
- Position the Bathroom Exhaust/Heater/Light unit into the hole, making sure the duct outlet is aligned with the exterior vent, ensure all cabling is away from the housing. (Refer Fig. 4)
- Locate the locking tabs along the edges. Turn them 90deg outward, use a screwdriver to tighten them securely to hold the exhaust unit in place.



- Install the bulbs.
NB: Use a cloth or cotton glove when installing or handling the Halogen heat bulb. Handling with hands will contaminate the surface that can lead to hot spot and shorten the bulb life.



- Install the halogen heat lamp. (Refer Fig. 5) Note: The heat lamp is half coated with a white reflector. When you install the heat lamp, direct the back of the reflector to the ceiling so you can see the heat lamp filament, or performance will be reduced.
- Install the fascia by pressing the spring together and slide into the mounting slots.



- Attach the switch panel to the wall.

USE

Our bathroom heater uses the halogen lamp as a source of heat. It also combines the functions of exhaust and light

1. Heat

HEAT'button On/Off

Note Do not touch the infrared lamps with any part of your body when in use.

2. Exhaust

FAN' button On/Off

This unit can exhaust odours and steam in a quick and efficient way by turning on the "FAN" button.

3. Lighting

'Light' button On/Off

NB: Do not switch on/off frequently when in use. Shut off the power if in long vacancy.

MAINTENANCE

• Clean

- Shut off the power before cleaning.
- Wipe the glass shield and fascia with care using a soft cloth soaked with a neutral detergent. Check the glass shield is not loose from the slots regularly.

NB: Ensure the lamps are cool enough to touch before handling.

• Lamp Replacement (Refer to fig 5)

- Check the heat lamp regularly.
- Shut off power before replacement.
- Use Vencha 1000W heat lamp for heating.

NB: Using different lamps other than the designated ones may affect operation.

WARRANTY

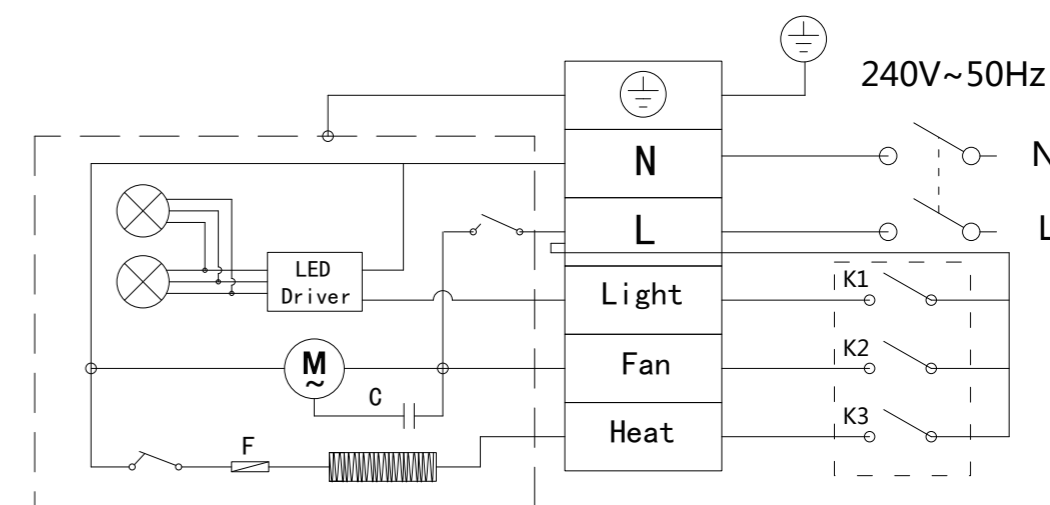
The unit is covered for 2 years against manufacturing and workmanship defects. This excludes lamp globes, installation, wiring, and any damage caused by installation or wiring. Installation must be carried out by a licensed electrician and accompanied by a safety certificate — warranty claims require that certificate and will be void without it.

This warranty does not cover damages or loss caused by:

- Heat or light lamps.
- Any consequential losses arising from incorrect installation or operation or maintenance of this product.
- Any consequential losses arising from incorrect wiring of this product.
- Any modifications or changes made to the unit, other than those recommended by the Manufacturer.

Our goods come with guarantees that cannot be excluded under the Australian Consumer Law. You are entitled to Vencha replacing the product in home with parts and labour for a major failure.

You are also entitled to have the goods repaired or replaced if the goods fail to be of acceptable quality and the failure does not amount to a major failure. Vencha offers an in home warranty that includes parts and labour so the end consumer is not out of pocket.



Code: **5501011**

Voltage: **240v**

Cutout Size: **475mm x 325mm**

Grill Size: **500mm x 350mm**

Duct: **150mm (D)**

Warranty **2 Year In-Home**



Vencha Pty Ltd

PH: (02) 8811 1622 E: warranties@vencha.net.au