

SPLIT CORE CTs

SP88

DESCRIPTION

Our SP88 current transformers have been designed to facilitate installation in new or already existing systems.

They may be installed without opening any cable or busbar circuit. The connection of conventional CTs usually requires the interruption of the primary side circuit to pass cables or busbars through the transformer core or to connect such cables to the primary terminals.

Our SP88 current transformers are easily opened, allowing for an easy and simple installation of the CT without the need for disconnection.

This circumvents the need for supply shutdown, thus saving time and money on installation costs.

The main features of our SP88 current transformers are:

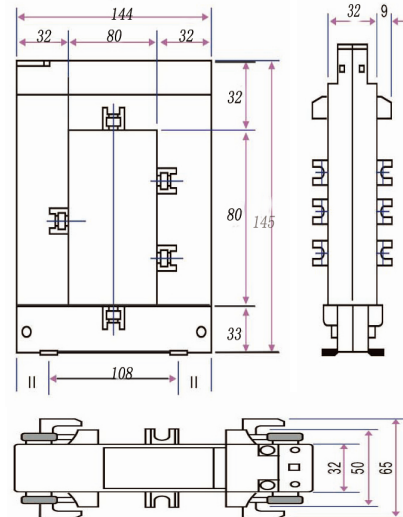
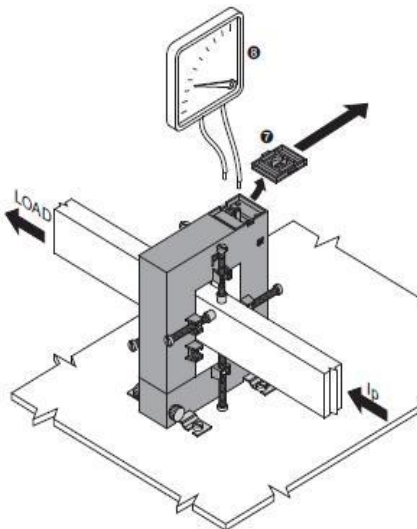
- Small size and easy mounting
- High accuracy, quality and reliability
- High quality polycarbonate casing
- Highest quality silicon iron sheet core
- Each CT comes complete with mounting clamps and feet



General Specifications

Standard approvals:	BS7626, IEC44-1
Maximum voltage:	0.72/3KV (1 min)
Frequency:	50/60Hz
Secondary current:	5A
Short time thermal current:	lth=100xln
Continuous operating current:	1.2 x maximum
Dynamic rated current:	2.5 x maximum
Test voltage per minute:	4kV
Rated security coefficient:	FS<5
Operating temperature:	-5°C~+45°C
Window size:	50mm x 80mm
Outside dimensions:	145mm x 144mm x 32mm

Order Code	Primary	Class	VA
SP88-250/5A	250/5A	1.0	2.5
SP88-300/5A	300/5A	1.0	2.5
SP88-400/5A	400/5A	1.0	2.5
SP88-500/5A	500/5A	0.5	2.5
SP88-600/5A	600/5A	0.5	2.5
SP88-750/5A	750/5A	0.5	2.5
SP88-800/5A	800/5A	0.5	2.5
SP88-1000/5A	1000/5A	0.5	5.0



In the interest of development and improvement, UPI reserves the right to amend, without notice, details contained in this publication. UPI will accept no legal liability for any errors, omissions or amendments.

