



Application

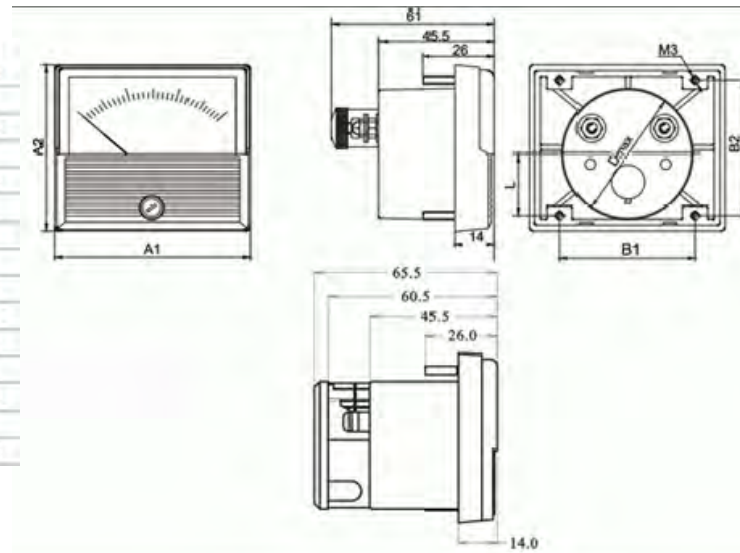
UPI Panel meters are used in a wide range of applications and are particularly suitable for manufacturers of equipment where a reading of within 1.5% accuracy is acceptable. Applications include battery chargers, welders, chlorinators and UPS's. UPI use level 1 movements for standard meters and level 3 movements for OEM bulk applications where cost is critical. Movements range from level 1 to level 5 which is commonly used in hobby electronics. Meters are ranged and scaled to order. Shunts for DC current may be internal, rear mounted or external (see shunt section for selection). UPI utilises a smart tooling system which facilitates for custom meter design and production.

Specifications

DC Current	100uA~20A
DC Voltage	50mV~500V
AC Current	1 or 5A (Use CT)
AC Voltage	10V~500V
Frequency	45~55Hz, 110,240,415V
Power Factor	0.5~1~0.5 63.5~440V
Accuracy Class 1.0 Frequency and 2.5 PF	
Accuracy Class 1.5 All Other Meters	
Movement Types:	
AC	Moving Iron and Moving Coil Rectified
DC	Moving Coil
VU/db	Moving Coil

Dimensions

Model	Unit	A1	A2	B1	B2	Dmas	L	Panel output
UPIB100	mm	100.8	83.6	80	64	Φ47.9	21.5	Φ49
	In	3.97	3.29	3.15	2.52	Φ1.89	0.85	Φ1.93
UPI80	mm	80	80	64	64	Φ47.5	24.65	Φ49
	In	3.15	3.15	2.52	2.52	Φ1.87	0.97	Φ1.93
UPI780	mm	80.6	68.1	64	48	Φ47.3	16.2	Φ48
	In	3.17	2.68	2.52	1.89	Φ1.86	0.64	Φ1.89
UPI670	mm	68.5	57.5	48	48	Φ46.8	21.8	Φ48
	In	2.7	2.26	1.89	1.89	Φ1.84	0.86	Φ1.89
UPI60	mm	61	61	48	48	Φ46.5	21.45	Φ47.5
	In	2.4	2.4	1.89	1.89	Φ1.82	0.82	Φ1.85
UPI560	mm	58	48	36	36	Φ42.8	18	Φ44
	In	2.28	1.89	1.42	1.42	Φ1.69	0.71	Φ1.73
UPI50	mm	51	51	36	36	Φ43.4	18	Φ44
	In	2.01	2.01	1.42	1.42	Φ1.71	0.71	Φ1.73



Unit: mm

Type	Unit	A	B	C	D	E	F	G	H	I	J	K	L
KLY-01 (1 1/2)	mm	42.2	42.2	15.9	31	10	11.8	2-NO.6-32 UNC	16.7	16.7	38	16.7	16.7
	In	1.661	1.661	0.626	1.22	0.394	0.465	2-NO.6-32 UNC	0.657	0.657	1.496	0.657	0.657
KLY-02 (2 1/2)	mm	68.8	68.8	15.9	31	10	11.8	3-NO.6-32 UNC	26.9	26.9	54.5	15.5	31
	In	2.709	2.709	0.626	1.22	0.394	0.465	3-NO.6-32 UNC	1.059	1.059	2.146	0.61	1.22
KLY-03 (3 1/2)	mm	89.6	89.6	16.4	31	10	11.8	3-NO.6-32 UNC	34.8	34.8	68.8	20.1	40.2
	In	3.528	3.528	0.646	1.22	0.394	0.465	3-NO.6-32 UNC	1.37	1.37	2.709	0.791	1.583
KLY-04 (4 1/2)	mm	123.2	123.2	16.4	31	10	11.8	4-NO.6-32 UNC	50.8	50.8	69	38.9	51.6
	In	4.85	4.85	0.646	1.22	0.394	0.465	4-NO.6-32 UNC	2	2	2.717	1.531	2.031

