

FIXED CORE CTs

CP Series

DESCRIPTION

Our University CP series current transformers are produced in accordance with IEC44-1, also meeting BS3938, DIN4260 and GB1208-2006.

They are available in primary currents between 30A and 5000A with 1A or 5A secondaries.

The vast majority of CT's in the range meet or exceed the higher accuracy Class 0.5 specifications, but some smaller ratio's are rated at the metering Class 1.0.

We can also build CT's to meet or exceed both Class 0.2 and 0.2S on an as needed basis.

The main features of our University CP series CT's are:

- Efficient size and easy mounting
- High accuracy, quality and reliability
- High quality ABS material casing (meets UL-94V0)
- Each CT comes complete with din-rail bracket, screws and feet
- Almost all sizes and primaries are readily stocked with a 5A secondary



General Specifications

Standard approvals: BS3938, IEC44-1
 Maximum voltage: 0.72/3KV (1 min)
 Frequency: 50/60Hz
 Secondary current: 1A or 5A
 Short time thermal current: lth=60x1h
 Continuous operating current: 1.2 x maximum
 Dynamic rated current: 2.5 x maximum
 Test voltage per minute: 3kV
 Rated security coefficient: FS<5
 Operating temperature: -20°C~+65°C
 Insulation: Class E
 Enclosure: IP40

Model	Primary	Class	VA
CP62/20	30~40A	1.0	1.5
CP62/30	50~80A	1.0	1.5
CP62/30	100~150A	0.5	2.5
CP62/40	160~600A	0.5	2.5~5
CP74/50	200~1000A	0.5	5~10
CP86/60	300~1600A	0.5	5~10
CP104/80	600~2000A	0.5	10~20
CP140/100	1000~4000A	0.5	15~30

Technical Specifications

Class 0.5 (UPI Standard)

- The vast majority of our CT's meet or exceed the higher accuracy Class 0.5 standard

Accuracy: ±0.5% at 20%~120% of the rated primary current
Accuracy: ±0.75% at 5% of the rated primary current
Accuracy: ±1.5% at 1% of the rated primary current
Phase Angle: ±0.5°(30 mins) at 20%~120% of the rated primary current
Phase Angle: ±0.75°(45 mins) at 5% of the rated primary current
Phase Angle: ±1.5°(90 mins) at 1% of the rated primary current

Class 1.0 (Metering Class)

- Our 1A CT's and smaller ratio 5A CT's meet or exceed the metering Class 1.0 standard

Accuracy: ±1.0% at 20%~120% of the rated primary current
Accuracy: ±1.5% at 5% of the rated primary current
Accuracy: ±3.0% at 1% of the rated primary current
Phase Angle: ±1.0°(60 mins) at 100%~120% of the rated primary current
Phase Angle: ±1.5°(90 mins) at 20% of the rated primary current
Phase Angle: ±3.0°(180 mins) at 5% of the rated primary current

In the interest of development and improvement, UPI reserves the right to amend, without notice, details contained in this publication. UPI will accept no legal liability for any errors, omissions or amendments.



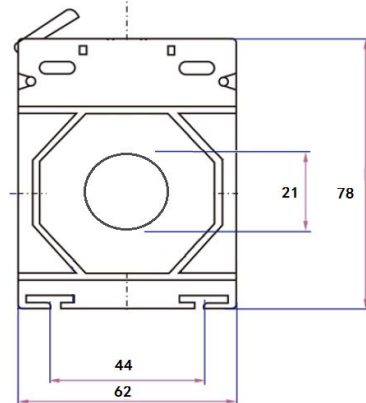
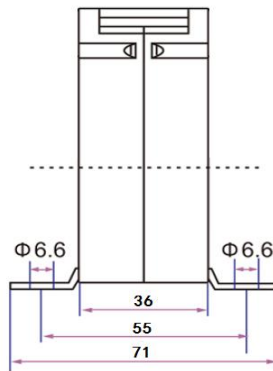
University
 UNIVERSITY PATON INSTRUMENTS - THE EDUCATED CHOICE



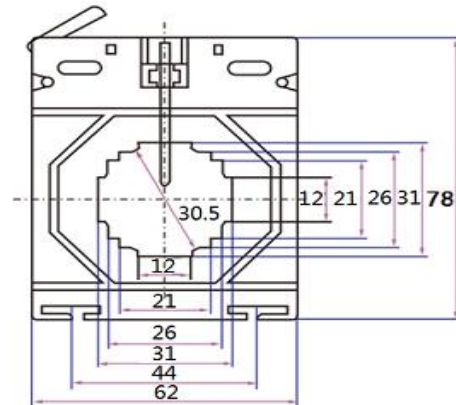
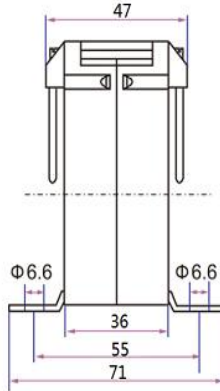
FIXED CORE CTs CP Series

DIMENSIONS (mm)

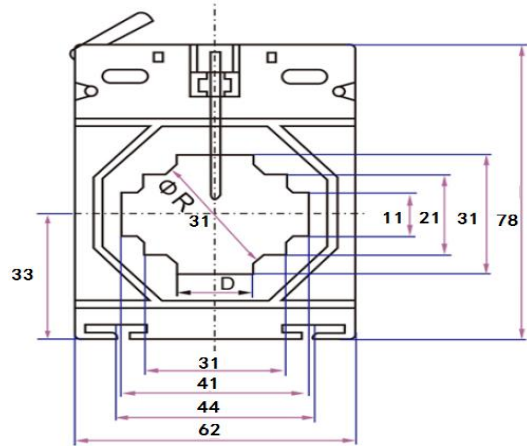
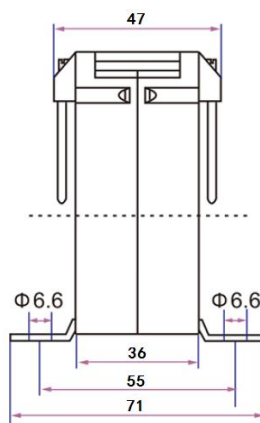
CP62/20



CP62/30



CP62/40



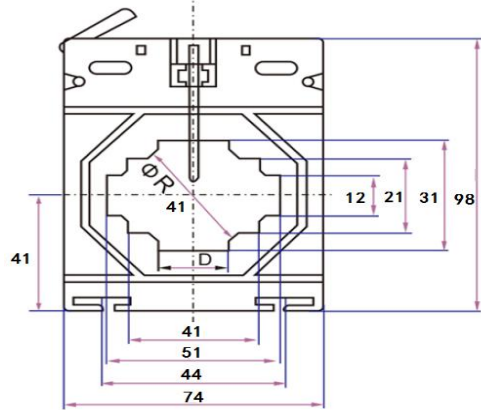
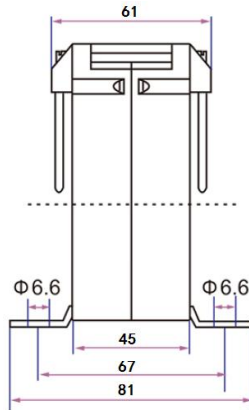
University
UNIVERSITY PATON INSTRUMENTS - THE EDUCATED CHOICE



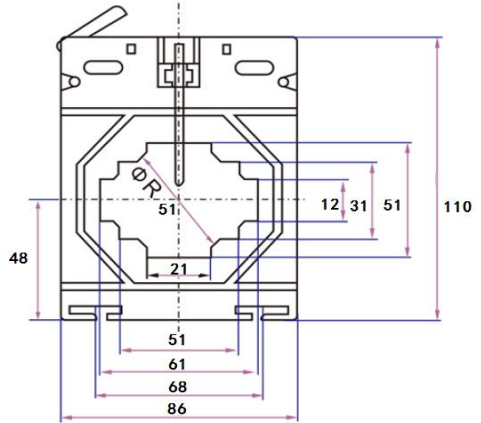
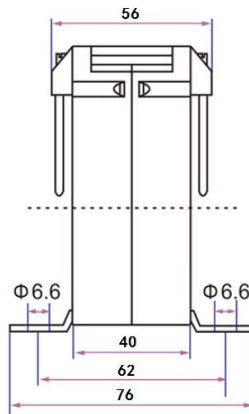
DIMENSIONS (mm)

FIXED CORE CTs CP Series

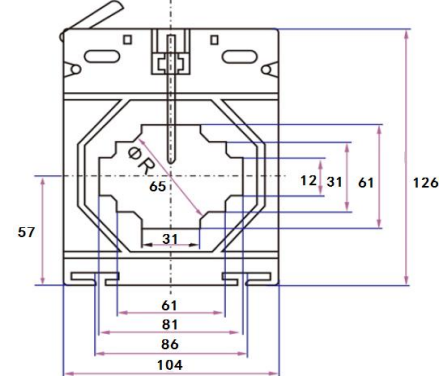
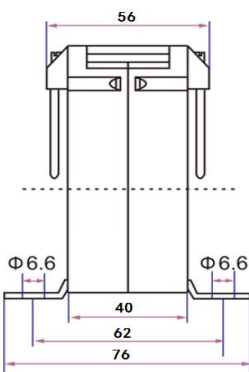
CP74/50



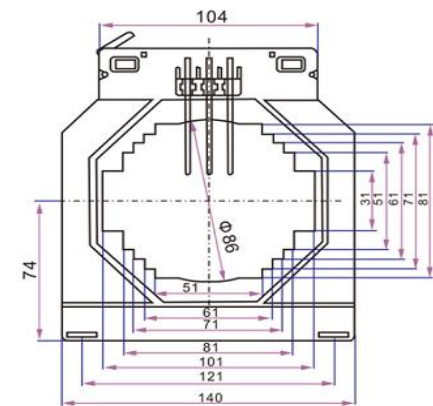
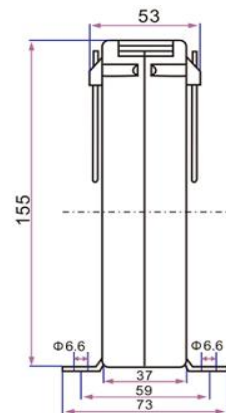
CP86/60



CP104/80



CP140/100



University
UNIVERSITY PATON INSTRUMENTS - THE EDUCATED CHOICE

