



WATER BLASTER 1200PSI



TSWB4

www.thetoolshed.co.nz

PRODUCT DETAILS

PRODUCT

ToolShed Water Blaster 1200PSI
5.5L/Min

MODEL NO.

TSWB4

DISTRIBUTED BY



NOTE:

This manual is only for your reference. Due to the continuous improvement of the ToolShed products, changes may be made at any time without obligation or notice.

WARRANTY

This product may be covered under the ToolShed warranty. For more information see our Terms & Conditions at www.thetoolshed.co.nz

CONTENTS:

Product Details 2

Specifications..... 4

Identification 4

Safety Information 5

Assembly..... 7

Operation..... 9

Cleaning & Storage 11

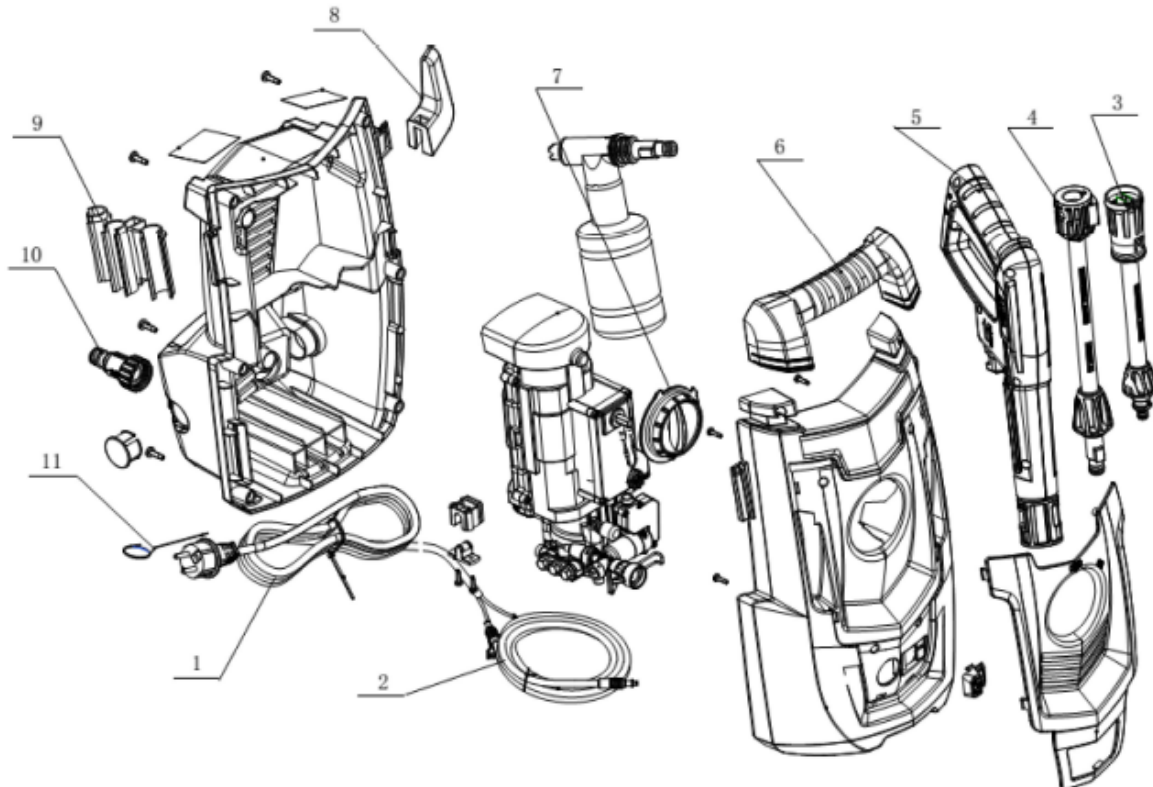
Cleaning Tips..... 12

Troubleshooting 13

SPECIFICATIONS

Water Pressure	1200 PSI
Litres Per Minute	5.5
Weight	6.2kg
Hose Length	5m
Dimensions	300 x 260 x 460mm

IDENTIFICATION



1	Power cord	7	ON/OFF switch
2	High-pressure hose	8	Power cable hook
3	Adjustable nozzle	9	Gun & accessories holder
4	Extension wand	10	Water inlet with filter
5	Gun	11	Cleaning pin
6	Handle		

IMPORTANT SAFETY INFORMATION

- **NEVER** point the high-pressure nozzle at people or animals.
- **NEVER** drink alcohol or use drugs while operating the pressure cleaner.
- **NEVER** operate the pressure cleaner while standing in water.
- **NEVER** touch the electrical plug with wet hands.
- **NEVER** let electrical connections rest in water.
- **NEVER** operate the pressure cleaner without the water turned on.
- **NEVER** use hot water with this pressure cleaner.

WARNING: When using this product, basic precautions should always be followed, including the following:

1. Read all instructions before using the product. Save all safety instructions.
2. Do not operate the pressure cleaner when fatigued or under the influence of alcohol or drugs.
3. Risk of injection or injury – do not direct the high-pressure water stream at any people or animals.
4. Do not allow children to operate the pressure cleaner at any time.
5. To reduce the risk of injury, close supervision is necessary when the pressure cleaner is used near children.
6. Know how to stop the unit and reduce pressure immediately. Be completely familiar with the controls.
7. Stay alert – always be aware of where you are directing the high-pressure spray.
8. Keep cleaning area clear of all people.
9. Always keep good footing and balance – do not overreach or stand on an unstable support.
10. The work area should have adequate drainage to reduce the possibility of a fall due to slippery surfaces.
11. Follow the maintenance instructions specified in the manual.
12. To reduce the risk of electrocution, keep all connections dry and off the ground. Do not touch the plug with wet hands.

GENERAL SAFETY PRECAUTIONS

- Intended for outdoor household use only.
- High-pressure hose can develop leaks from wear, abuse, kinking, etc. DO NOT use a damaged hose.
- Do not use the pressure cleaner in areas near combustible materials, combustible fumes, or dust.
- Some chemicals or detergents may be harmful if inhaled or ingested causing severe injury. Use a respirator or mask whenever there is a chance that vapours may be inhaled. Read all instructions included with the mask so you are certain the mask will provide the necessary protection against inhaling harmful vapours.
- Before starting the pressure cleaner in cold weather, check all the parts of the equipment and be sure that ice has not formed. Do not store the unit anywhere that the temperature will fall below 0°C (32°F).
- Do not make any modifications to any of the components. Units with broken or missing parts, or without the protective housing or covers should never be operated.
- Keep the high-pressured hose connected to the pressure cleaner and the spray gun while the system is pressurized. Disconnecting the hose while the unit is pressurized is dangerous and may cause injury.

- Do not leave the pressure cleaner unattended while the power switch is ON.
- Keep water spray away from electrical wiring or it may result in electric shock.

PROPER USE OF THE PRESSURE CLEANER

- Operate the pressure cleaner at no more than the fluid pressure rated for the pressure cleaner. Never run the pressure cleaner without a water supply. Running the unit without a water supply will cause irreparable damage to the unit.
- Make sure that the water supply you use for the pressure cleaner is not dirty, sandy, and does not hold any corrosive chemical products. Using a dirty water supply will compromise the long life of the pressure cleaner.
- CAUTION – The pressure cleaner can be used for a variety of applications including washing cars, boats, patios, decks, garages, etc. where high pressure is necessary to remove dirt and debris. **High-pressure water flow can damage the work surface if not used properly.** Always test the spray in an open world first.
- Never move the unit by pulling on the high-pressure hose. Use the handle provided on the top of the unit.
- Always hold the high-pressure gun and wand with two hands. Keep one hand on the gun/trigger, while supporting the wand with the other hand.
- When dispensing detergent, the pressure cleaner applies detergent to the cleaning area at low pressure only. Once the detergent has been applied, spray the detergent off the work area by removing the detergent attachment.

ELECTRICAL SAFETY

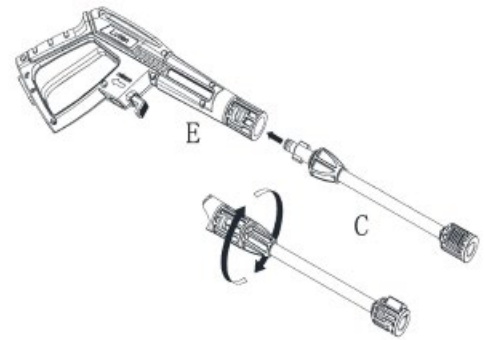
Warning – To reduce the risk of electrocution, keep all connections dry and off the ground. Do not touch the plug with wet hands.

- Do not use the appliance if a supply cord or important parts of the appliance are damaged, e.g., safety devices, high pressure hoses, trigger gun.
- If an extension cord is used, the plug and socket must be of watertight construction.
- Inadequate extension cords can be dangerous.
- Remove the plug from the socket-outlet during cleaning or maintenance and when replace parts or converting the machine to another function.

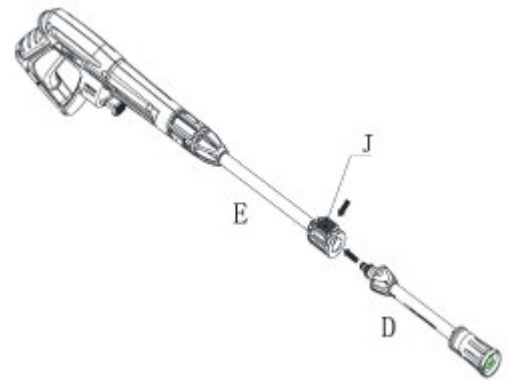
WARNING: Always use an RCD when using / plugging in this water blaster. Failure to do so can risk electric shock and/or damage to your water blaster.

ASSEMBLY

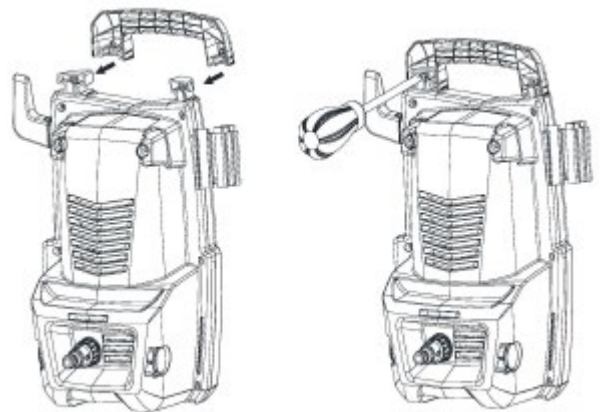
1. Insert the extension wand (C) into the gun (E). Push and turn the extension wand (C) clockwise onto the gun (E) until hand tight to lock it in place. When the pieces are joined properly, you cannot separate the two components by pulling straight out on the gun. Insert the detergent nozzle in the same matter. Only one attachment can be inserted in the gun at a time.



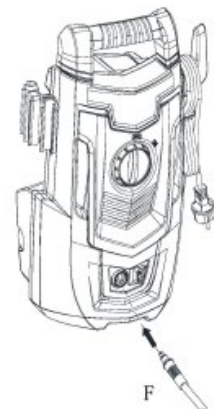
- 1b. Insert the spray adjustable nozzle (D) into the extension wand (E). As a quick-connection type, you just need to push it on directly and hand tighten it. Insert the turbo nozzle in the same manner. Only one attachment can be inserted into the extension wand at a time. All attachments must be inserted into the extension wand for proper use.



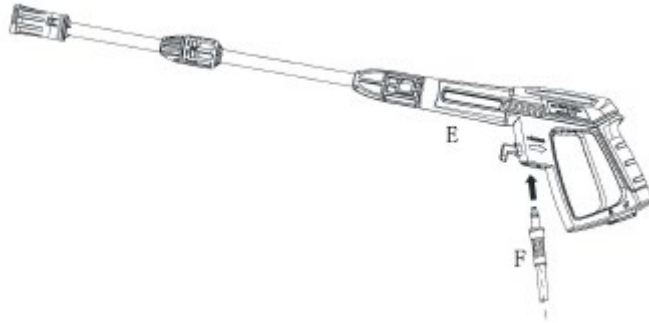
2. Screw the washer handle tight to the main body as below fig. The screws will be packaged together with the main body.



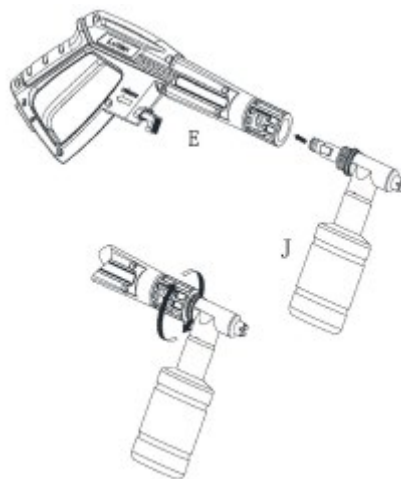
3. Attach the high-pressure hose (F) to the pressure cleaner water outlet. Insert and quick-connect it tight to avoid leakage. When the pieces are joined properly, you cannot separate the two components by pulling straight out from the water outlet. Push the button indicated in the fig. to remove the high-pressure hose.



4. Attach the high-pressure hose (F) to gun (E). Insert and quick-connect it tightly to avoid leakage. When the pieces are joined properly, you cannot separate the two components by pulling straight out from the water outlet.



5. Insert the detergent nozzle (J) into the gun (E). Push and turn the detergent nozzle (J) clockwise onto the gun (E) until hand tight to lock it into place. When the pieces are joined properly, you cannot separate the two components by pulling straight out on the gun (E).



6. Attach the hose connector to the pressure washer. Before attaching the connector to the male fitting, remove the plastic cap, which is inserted onto the male fitting on the pressure washer before shipping. This plastic cap can be discarded once removed. After both components have been installed, attach your garden hose with connector screw on the pressure washer. Connect the garden hose to the waterspout.

OPERATION

This unit is intended to be used with cold water only. Do not use hot water in this pressure cleaner.

Starting Up

After connecting the pressure cleaner to your cold-water supply, proceed as follows:

1. Open the water supply valve completely.
2. Before turning the unit on, press the gun trigger to bleed all the remaining air out of the pump and hose.
3. Start the pressure cleaner by turning the ON/OFF switch to the ON position and squeeze the trigger.

NOTE: The motor does not run continuously, only when the trigger is squeezed.

WARNING: RISK OF INJECTION. The unit will start spraying when the trigger is squeezed. When turning off the unit after use, high pressure still exists inside the hose and unit. Point the gun in a safe direction and discharge the excess pressure. NEVER direct the high-pressure water stream at people or animals.

Automatic ON/OFF

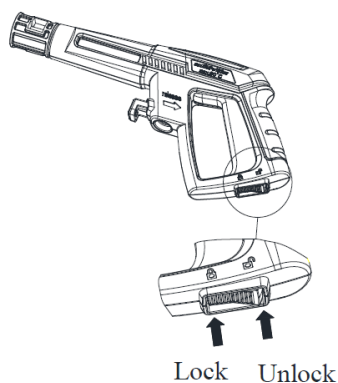
The pressure cleaner is equipped with an automatic on/off switch. The pressure cleaner will only run when the power switch is on the ON position and the trigger on the gun is squeezed. When you release the trigger to stop spraying water through the gun, the motor on the pressure cleaner will automatically shut off. Simply squeeze the trigger again to resume using the cleaner. To stop using the pressure cleaner, release the trigger and switch the unit to the OFF position. The unit should be turned OFF completely while not in use or unattended.

Bleeding the Gun

It is very important to bleed the gun before using the pressure cleaner. To bleed the gun, simply connect the garden hose to the pressure cleaner and squeeze the trigger BEFORE turning the electrical supply on. This allows any air trapped inside the pressure cleaner and gun to be removed before using the unit. Continue holding the trigger for approximately one minute to allow any excess air out of the unit. Water will flow through the gun at low pressure during this procedure.

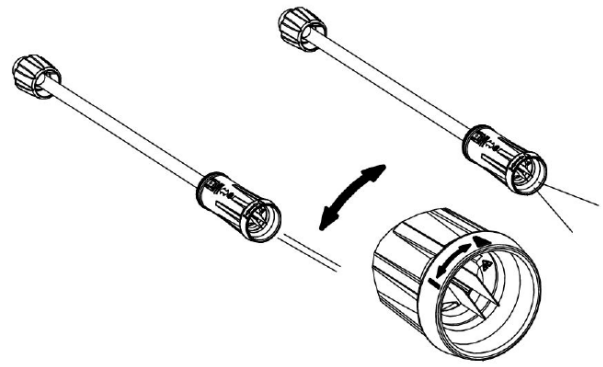
Gun Safety Lock

This pressure cleaner is equipped with a gun trigger safety lock. When not using the pressure cleaner, use the safety lock to keep from accidentally engaging the high-pressure spray.



Adjustable Spray Nozzle

The adjustable nozzle will allow you to use any variety of spray patterns from a full fan spray to a direct stream spray. When using the pressure washer to clean wood decks, siding, vehicles, etc., always start using the fan spray and begin spraying from a minimum 36" away to avoid damaging the surface of the material you are cleaning. Always begin by spraying in a testing area free and clear of people and objects.



WARNING: High pressure jets can be dangerous if subject to misuse. The jet must not be directed at people, live electrical equipment, or the appliance itself. Do not direct the jet against yourself or others in order to clean clothes or footwear.

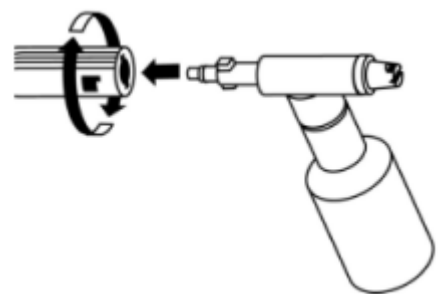
Unblock Lance

When the nozzle is clogged, it will cause the pump to build pressure and may cause the unit to surge. You can clean the nozzle by inserting a needle into the tip to loosen and get rid of the deposits. For the adjustable nozzle, you can lubricate the nozzle collar (high-pressure to low-pressure) by using non-water-soluble grease regularly.

Using Detergents

WARNING: The detergent dispenser will allow you to apply many forms of liquid detergent onto the work surface. Detergent application happens at low-pressure only.

1. Separate the nozzle from the detergent container by turning the detergent reservoir counterclockwise and separating the two components.
2. Fill the detergent container with approved detergent. Pour the detergent slowly into the reservoir using a funnel. Re-attach the two components by re-inserting the nozzle back onto the detergent reservoir and turning clockwise.
3. To apply the detergent to your working area, attach the detergent nozzle to the gun. Turn the pressure cleaner switch to the ON position. Pull the trigger to operate the unit. The pressure cleaner will mix the detergent with the water. Do not allow detergent to dry on the surface you are cleaning.
4. When you have finished applying your detergent, remove the detergent attachment and spray off the detergent with high-pressure mode.



WARNING: Never use products with bleach, chlorine, or any other corrosive materials. This includes liquids containing solvents (gas, oils) tri-sodium phosphate products, ammonia, or acid-based cleaners. These chemicals will harm the unit and cause damage to the surface being cleaned. Always read the label.

CLEAN UP & STORAGE

When finished using the pressure cleaner, follow these steps to shut down the unit:

1. Turn the pressure cleaner to the OFF position.
2. Turn off the water supply.
3. Before disconnecting the high-pressure hose connection, point the gun in a safe direction and discharge the high-pressure water.
4. Disconnect the high-pressure hose from the pressure cleaner and the gun.
5. Disconnect the garden hose from the pressure cleaner.
6. Remove the quick coupler fitting from the garden hose and attach the nipple portion of the fitting to the pressure cleaner for storage.
7. Remove excess water from the pump by tipping the unit on both sides to drain any remaining water from the inlet and outlet fittings.
8. Remove the water intake filter and flush with water to remove dirt or debris. Return the filter once it is cleaned.
9. Drain the detergent reservoir and flush with running water.
10. Wipe away any remaining water on all parts and fittings.
11. Engage the safety gun lock.
12. Store the pressure cleaner, parts, and accessories in an area with a temperature above 0°C.

Long Term Storage

- After disconnecting the water supply, and before disconnecting the high-pressure hose, turn the pressure cleaner on for 2-3 seconds, until any water remaining in the pump exits.
- Turn the unit off immediately. Continued use of the pressure cleaner without water supply attached will cause severe damage to the unit.

MAINTENANCE

- This pressure washer is supplied with a closed lubrication system, so no additional oil is needed.
- Check all hoses and accessories for damage prior to use.
- Check the inlet filter periodically for deposits. Clean this filter regularly for maximum performance.

CLEANING TIPS

WARNING: Always test the spray in an area free and clear of people and objects before you spray at the intended cleaning surface.

Wood & Vinyl Decks

Rinse the deck and surrounding area with fresh water. If using detergent, fill the detergent reservoir and apply to the area being cleaned at low pressure. For optimal results, reduce your work area to smaller sections and clean each section one at a time. Allow the detergent to rest on the surface for a few minutes and then rinse at high pressure. **DO NOT LET THE CLEANER DRY.** Always clean from left to right and top to bottom for the best results. Rinse at high pressure using the fan spray, keeping the tip of the spray nozzle at least 6-9 inches from the cleaning surface. Maintain a further distance from the cleaning area when using a direct spray.

CAUTION: For softer woods, increase the distance from the cleaning area.

Cement Patios, Stone, & Brick

Rinse the cleaning and surrounding area with fresh water. If using detergent, fill the detergent reservoir and apply to the area being cleaned at low pressure. Rinse at high pressure using the fan spray in a sweeping motion, keeping the tip of the spray nozzle at least 3-6 inches from the cleaning surface. Maintain a further distance from the cleaning area when using a direct spray.

Cars, Boats, & Motorcycles

Rinse the cleaning and surrounding area with fresh water. If using detergent, fill the detergent reservoir and apply to the area being cleaned at low pressure. To achieve the best results, clean one side at a time. Allow the detergent to rest on the surface for a few minutes, but do not let it dry. Rinse at high pressure using the fan spray in a sweeping motion, keeping the tip of the spray nozzle at least 8 inches from the cleaning surface. Maintain a further distance from the cleaning area when using a direct spray. Wipe the surface dry for a polished finish.

BBQ Grills, Power Equipment, & Garden Tools

Rinse the cleaning and surrounding area with fresh water. If using detergent, fill the detergent reservoir and apply to the area being cleaned at low pressure. Allow the detergent to rest on the surface for a few minutes, but do not let the detergent dry. Rinse at a high pressure using the fan spray, keeping the tip of the nozzle at least 1-3 inches from the cleaning surface. Maintain a further distance from the cleaning area when using a direct spray.

TROUBLESHOOTING

Problem	Probable Cause	Solution
When the switch is in the 'I' position, the machine will not start.	Electrical socket is faulty.	Check plug, socket, and fuses.
	Voltage is inadequate.	Check voltage.
	Washer is not plugged in.	Plug in the power cord.
The pump does not reach adequate pressure or fluctuates.	Water inlet filter is clogged.	Remove and clean filter.
	Pump is drawing air.	Tight connections/bleed system.
	Suction valves are clogged/worn.	Clean or replace valves.
	Diameter of garden hose is too small.	Replace with a ¾ inch garden hose.
	Water supply is restricted.	Check hose for kinks or leaks.
	Insufficient water supply.	Fully open water source.
The pressure cleaner will not maintain pressure.	Excessive air in waterline and pump.	Turn unit and water supply off and bleed system.
The pressure cleaner makes excessive noise.	Intake is blocked.	Check the intake valves.
	Valves are worn, dirty, or clogged.	Check, clean, or replace valves.
	Filter is dirty.	Check, clean, or replace filter.
The motor stops running while in use.	Net voltage lower than suggested.	Check whether the voltage is adequate.