

InnoTech Atira double walled drawer system

- ▶ Internal organisation system for drawers and internal drawers
- ▶ Powder coated steel, white



- ▶ For general-purpose use
- ▶ Knife and spice rack can be incorporated, see page 104
- ▶ Plastic, silver

OrgaTray 440

Width mm	Order no. / depth mm			PU
	370 - 440	441 - 520	581 - 620	
175 - 200	9 194 948	9 194 961		1 ea.
201 - 250	9 194 949	9 194 962		1 ea.
251 - 300	9 194 950	9 194 963		1 ea.
301 - 350	9 194 951	9 194 964		1 ea.
351 - 400	9 194 952	9 194 965		1 ea.
401 - 450	9 194 953	9 194 966		1 ea.
451 - 500	9 194 954	9 194 967		1 ea.
501 - 600	9 194 955	9 194 968	9 194 974	1 ea.
601 - 700	9 194 956	9 194 969	9 202 777	1 ea.
701 - 800	9 194 957	9 194 970	9 194 975	1 ea.
801 - 900	9 194 958	9 194 971	9 194 976	1 ea.
901 - 1000	9 194 959	9 194 972	9 194 977	1 ea.
1091 - 1150	9 194 960	9 194 973	9 194 978	1 ea.

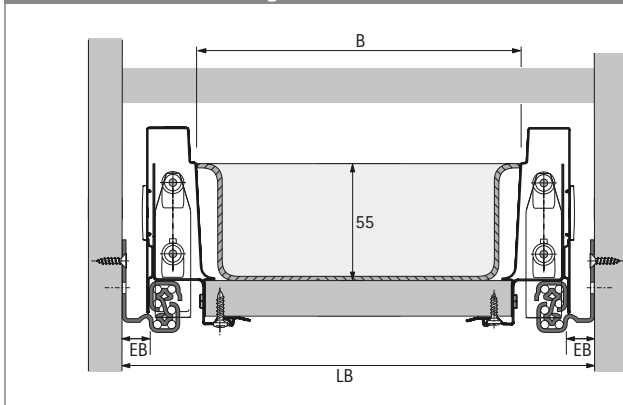
Partitioning

D 370 - 440													
D 441 - 520													
D 581 - 620													
W	175-200	201-250	251-300	301-350	351-400	401-450	451-500	501-600	601-700	701-800	801-900	901-1000	1091-1150
NW	275	300	350	400	450	500	550	600	700	800	900	1000	1200

* = knife and spice rack can be incorporated

D = Depth W = Width NW = Nominal width

Dimensional drawing



- ▶ Trimmed width (B) = LB - 62
- ▶ When using edge profiles, see page 104:
Trimmed width (B) = LB - 66
- ▶ Trimmed depth = nominal length - 7.7