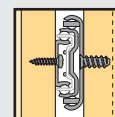
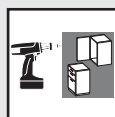


Full-extension for wooden drawers

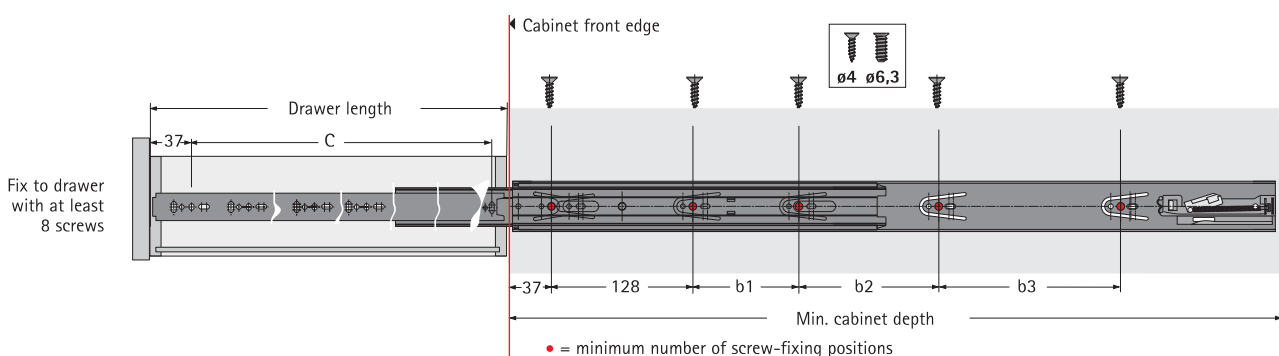
Ball bearing slide KA 4532 push to open

Load capacity 35 kg

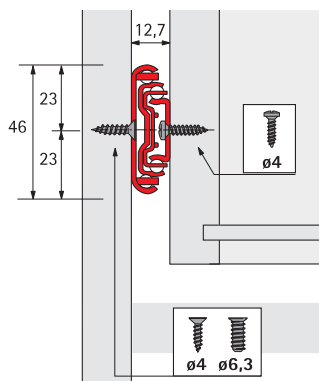


- Precision full-extension slide with integrated push to open mechanism
- Side mounted
- Using a release lever, the drawer can be detached from the slide and thus removed and re-fitted with ease.
- Smooth action and high side stability
- Installation width 12,7 mm
- Steel chrome-plated

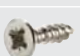

Drawer length mm	Min. cabinet depth mm	Hole spacing mm			C	Product code	PU
		b1	b2	b3			
350	354	64	-	-	242	9 114 282	10 sets
400	404	96	-	-	292	9 114 283	10 sets
450	454	160	-	-	342	9 114 284	10 sets
500	504	96	96	-	392	9 114 285	10 sets
550	554	96	128	-	442	9 114 286	10 sets
600	604	96	128	96	492	9 114 288	10 sets
650	654	96	128	128	542	9 114 289	10 sets



The dimensions stated produce a minimum gap of 4 mm between front panel and cabinet front edge.



Fixing screws

	Dimensions mm	Product code	PU
	Ø 6,3 x 10,5	0 051 264	200
	Ø 6,3 x 14	0 051 265	200
	Ø 4,0 x 16	0 010 085	200

Processing technology see group 2

