

# Drawer runners for wooden drawers

- ▶ KA 5632 SC full extension runner with Stop Control for side installation
- ▶ Load capacity 40 kg

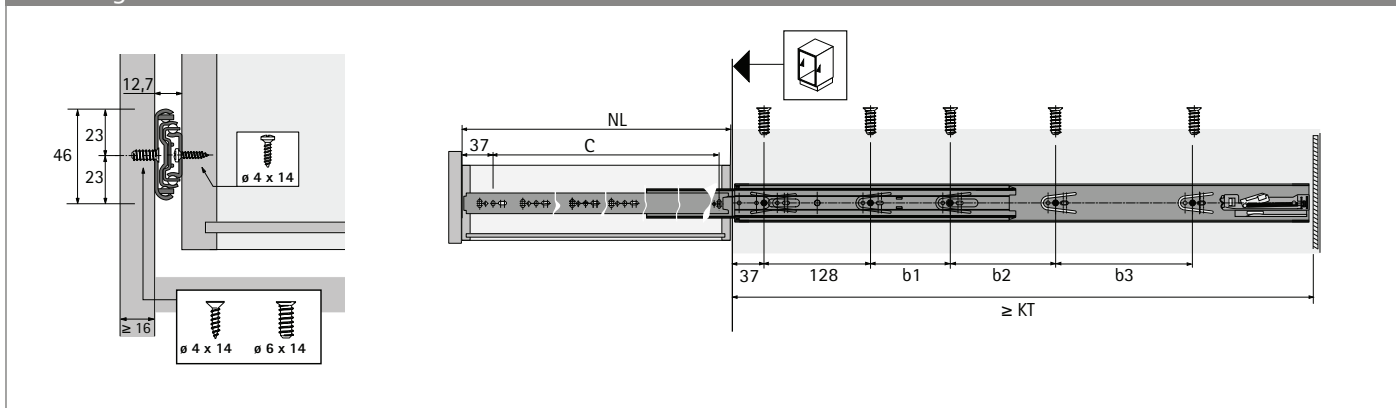


- ▶ **Stop Control** – integrated self closing reliably and automatically closes the drawer
- ▶ A release lever makes the drawer easy to remove and reinstall
- ▶ Precision control for moving smoothly and freely and high lateral stability
- ▶ For drawers with grooved, rebated or loosely fitted drawer bottom panel
- ▶ Load capacity to EN 15338, Level 1
- ▶ Galvanised steel, blue passivated

## KA 5632 ball bearing runner SC with self closing mechanism, 12.7 mm installed width

Nominal length / drawer length NL mm	Minimum carcass depth KT mm	Hole spacing b1 mm	Hole spacing b2 mm	Hole spacing b3 mm	Hole spacing C mm	Order no.	PU
300	304				208	9 068 958	10 pair
350	354				240	9 068 961	10 pair
400	404	96			288	9 068 962	10 pair
450	454	96			320	9 068 963	10 pair
500	504	96	128		352	9 068 964	10 pair
550	554	96	128		416	9 068 965	10 pair
600	604	96	128	96	416	9 068 966	10 pair

## Planning dimensions



## Advice

- ▶ For technical information, see page 39
- ▶ For accessories, see page 46 - 48