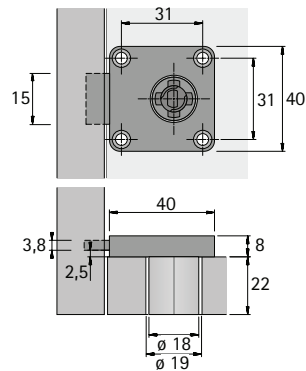


# Cylinder lock Economy

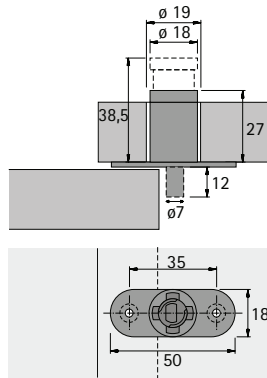
## Cylinder drawer lock Economy



- ▶ For exchangeable F18 barrels
- ▶ Barrels F18 not included, to be ordered separately see page 52
- ▶ Complete with resette
- ▶ Nickel plated

Order no.	PU
<b>0 048 976</b>	25 ea.

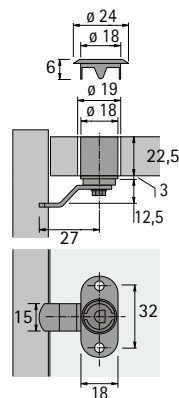
## Cylinder push lock Economy



- ▶ For exchangeable F18 barrels
- ▶ Barrels F18 not included, to be ordered separately see page 52
- ▶ Complete with resette
- ▶ Nickel plated

Order no.	PU
<b>0 048 977</b>	25 ea.

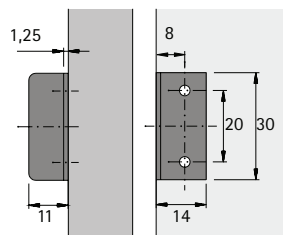
## Cylinder cam lock Economy



- ▶ For exchangeable F18 barrels
- ▶ Barrels F18 not included, to be ordered separately see page 52
- ▶ Complete with resette
- ▶ Nickel plated

Order no.	PU
<b>0 048 978</b>	25 ea.

## Stop bracket, type 3011



- ▶ Steel, nickel plated

Order no.	PU
<b>0 030 125</b>	1/100 ea.