

Drawer runners for wooden drawers

- ▶ Full extension runner Quadro V6 with Silent System
- ▶ Loading capacity 30 kg



- ▶ **Silent System** - the integrated Silent System closes the drawer quietly and gently
- ▶ Convenient slide on installation with catches and tool-less vertical adjustment
- ▶ Load capacity to EN 15338, Level 3
- ▶ Galvanised steel

Quadro V6 with Silent System

Nominal length / drawer length NL mm	Minimum carcass depth KT mm	Hole spacing b1 mm	Hole spacing b2 mm	Order no.	
				left 20 ea.	right 20 ea.
300	313	192		9 118 030	9 118 031
320	333	192		9 118 056	9 118 057
350	363	192		9 113 013	9 113 014
380	393	224		9 118 052	9 118 053
400	413	224		9 099 108	9 099 110
420	433	224		9 118 000	9 118 011
450	463	256		9 099 124	9 099 125
480	493	256		9 118 037	9 118 039
500	513	288	224	9 118 058	9 118 059
520	533	288	224	9 117 998	9 117 999
550	563	288	224	9 118 043	9 118 044
580	593	352		9 118 064	9 118 065
600	613	352		9 118 028	9 118 029

Using the mounting plug reduces drawer length (NL) by 10 mm.

Catch for wooden drawers with grooved bottom panel (Quadro 25 and Quadro V6)



- ▶ For safely connecting the Quadro runner and wooden drawer without the need for tools
- ▶ Infinite height adjustment up to + 2 mm via a knurled wheel
- ▶ Plastic, black

Hinge side of cabinet	Order no.	PU
left	9 144 830	100 ea.
right	9 144 841	100 ea.

Drawer runners for wooden drawers

- ▶ Full extension runner Quadro V6 with Silent System
- ▶ Loading capacity 30 kg

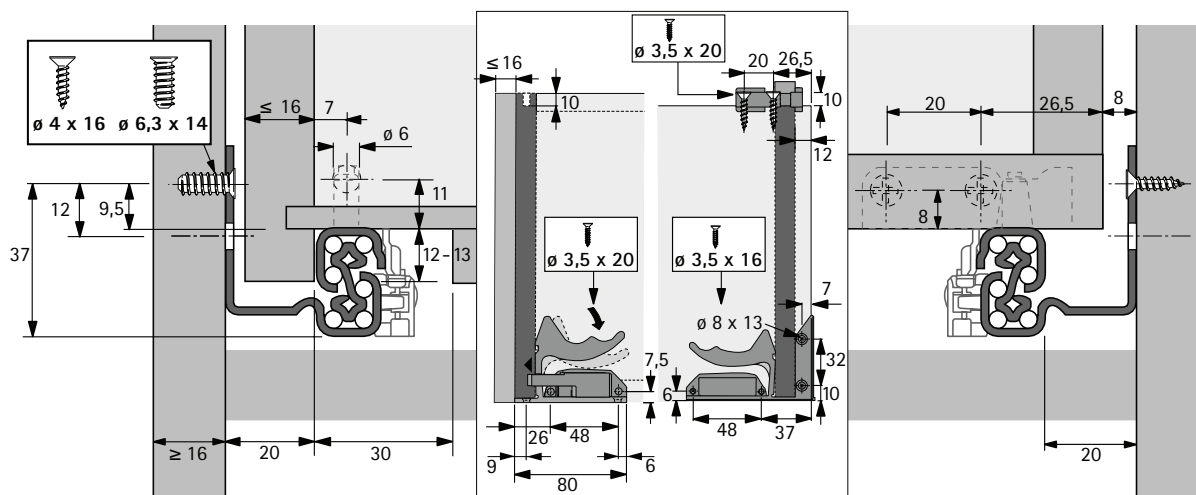
Catch for pull-out shelves / wooden drawers with flush bottom panel Quadro V6



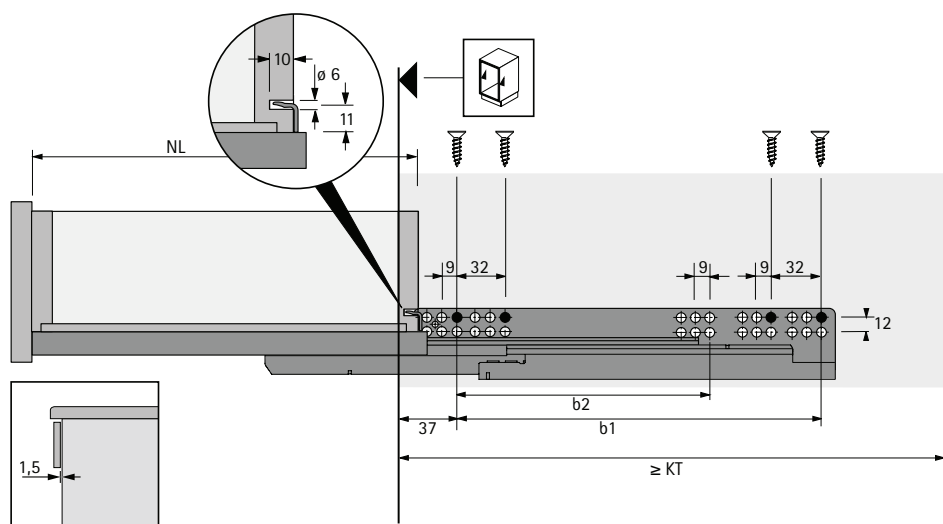
- ▶ For securely connecting Quadro runner and pull-out shelf / wooden drawer with flush bottom panel, including mounting, without the need for tools including plug
- ▶ For 16 - 19 mm thick pull-out shelves
- ▶ Plastic, black / white

Order no.	PU
0 075 808	5 pair

Planning dimensions



Planning dimensions



For technical information, see pages 12