



LOCKTON
ESSENTIALS

SGSL - SLIDING SCREEN DOOR LOCK

*CYLINDER NOT INCLUDED - Use 1-8150 C4 x 5 pin, 1-8158 C4 x 4 pin OR 1-8190 5 wafer cylinders. Only use the cylinder retaining screw provided with the lock.

INSTRUCTIONS

1. PREPARING THE DOOR

For NEW installations

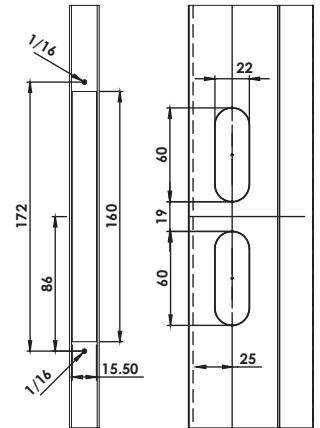
- Once the desired lock height has been decided, drill and cut out both sides of the door as per the dimensioned drawing.
- NOTE: lock heights for doors leading onto pool areas, are regulated. Check with your local authority for confirmation.

For REPLACEMENT re-installations

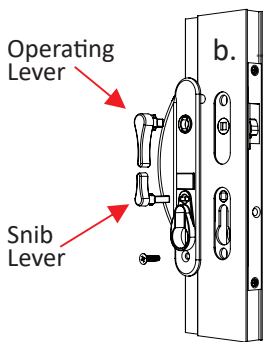
- Note that the front door edge cut-out may require modification.

2. INSTALLATION OF THE LOCK

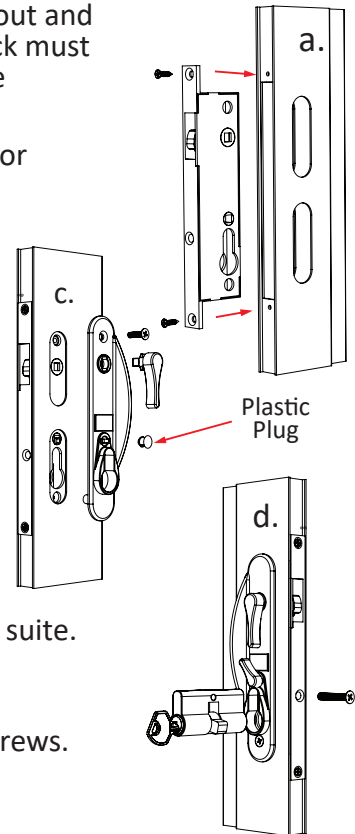
- a. With the internal latch facing to the top of the door, insert the lock into the cutout and secure the lock using the 2 x 12mm fixing screws provided. **IMPORTANT:** The lock must be mounted with the tongue facing to the top. The product warranty cannot be guaranteed if the lock is mounted upside down.



- b. Choose the handle that will be used internally on the door and assemble the operating and snib levers. Make sure they are orientated as shown.

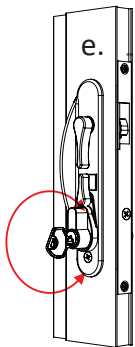


- c. Securely fit the plastic plug to the external handle set. Assemble the operating levers and assemble the handles onto the lock. Using the 16mm handle screws provided lightly assemble the handles together ensuring the snib lever is in an upright position.



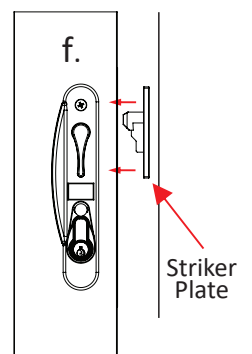
- d. ****IMPORTANT: The lock must be latched into the locked position using the snib, prior to inserting the cylinder.** Insert the cylinder so the cam rotates toward the front of the door. Use the 32mm cylinder retaining screw provided for Whitco® cylinders only. Other cylinders (including Total branded cylinders) are supplied with a cylinder retaining screw to suite.
- **Do not over tighten.**

- e. Using the key first, operate the lock, then use the snib. Once free operation has been achieved, secure all the screws.
- **Do not over tighten the handle screws.**



3. INSTALLATION OF THE STRIKE

- Attach the striker plate to the lock as shown in diagram F. To assist with installation, the striker plate is fitted with double sided tape. Peel the backing off the double sided tape.
- Close the door fully to allow the striker plate to adhere to the door jamb. Mark the jamb at the top and bottom position of the striker. Once adhered, unlatch the door from the striker. The striker should now be positioned correctly, check the position of the striker with your marked lines.
- Drill 2 x 1/16 holes through the holes provided on the striker. Fasten the striker to the door using the 12mm counter sunk screws provided. If required, use 1mm (1-8655-1) or 2mm packers (1-8655-2) to pack the striker out/away from the jamb (packers not included). However, you may need to remove the double sided tape to secure properly.



SEE OVER FOR PACK CONTENTS, WARRANTY & IMPORTANT INFO



LOCKTON
ESSENTIALS

SGSL - SLIDING SCREEN DOOR LOCK

***CYLINDER NOT INCLUDED - Use 1-8150 C4 x 5 pin, 1-8158 C4 x 4 pin OR 1-8190 5 wafer cylinders. Only use the cylinder retaining screw provided with the lock.**

WARRANTY

*10 Year Satisfaction Warranty. This product is designed to perform satisfactorily for 10 years from date of purchase when used in its intended application. Should it not perform satisfactorily during the 10 year period, simply return to place of purchase with proof of purchase for a replacement or refund.

Our goods come with guarantees that cannot be excluded under the Australian Consumer Law. You are entitled to a replacement or refund for a major failure and compensation for any other reasonably foreseeable loss or damage. You are also entitled to have the goods repaired or replaced if the goods fail to be of acceptable quality and the failure does not amount to a major failure.

PACK CONTENTS

- Lock body x 1
- Handle and lever assemblies x 2
- Snib lever x 1
- Striker plate x 1
- 12mm fixing screws x 2
- 16mm handle screws x 2
- 12mm countersunk striker plate screws x 2
- 32mm cylinder retaining screw x 1
- Snib plug x 1

IMPORTANT INFORMATION

The snib lever is not a security device. It is only design as a temporary measure only. Use the key to deadlock the lock for security.

When locking with the key internally, we recommend leaving the key in close proximity to the lock where it can easily be accessed in case of a fire or other emergency.

When removing the key, be careful not to overturn the key in case you unlock the lock unintentionally.