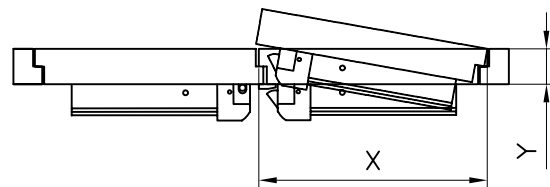
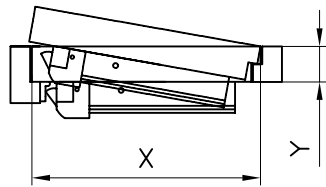


INSTALLATION INSTRUCTION OF SGPD200/200-F & SGPD250/250-F

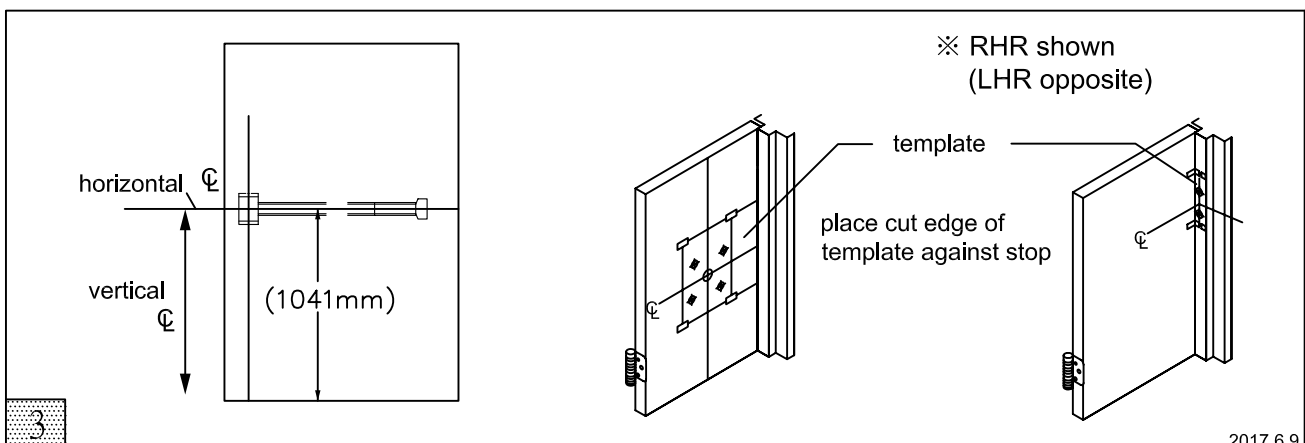
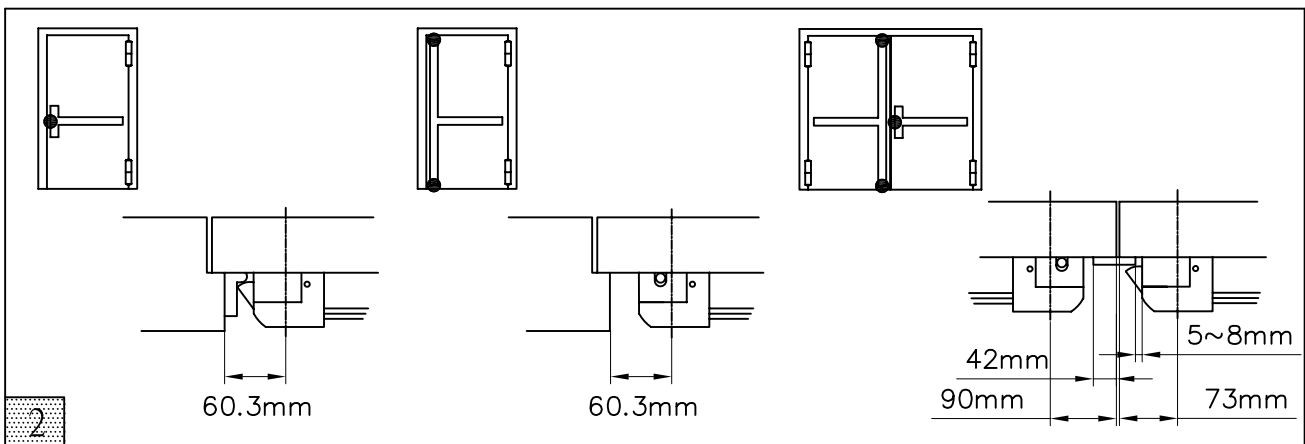
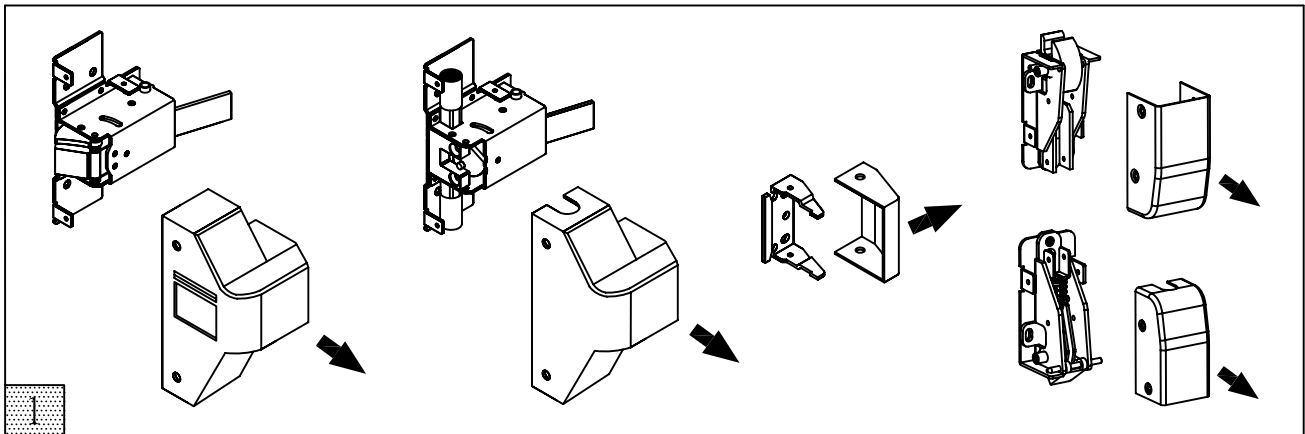


It may be the case that the panic fitting cannot be installed on extreme door situations according to standard measurements (door with X smaller than 1000mm in connection with the distance of the hinge Y bigger than 90mm)

Der Panik-Beschlag kann bei extremen Türsituationen mit einer Türbreite $X < 1000$ mm in Verbindung mit dem Abstand des Bandes $Y > 90$ mm evtl. nicht nach den Standardmaßen montiert werden .

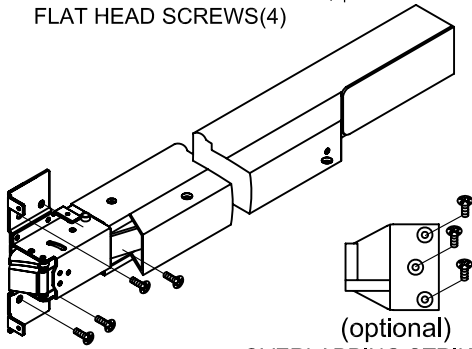
DOOR SIZES

This product is suitable for doors from 775mm to 1100mm width and up to 2400mm height.

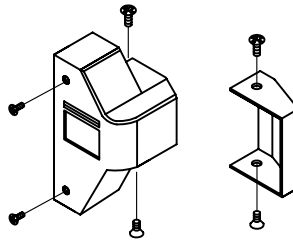


INSTALLATION INSTRUCTION OF SGPD200/200-F & SGPD250/250-F

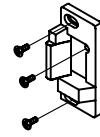
CHASSIS ASS'Y WITH 10# * 3/4" FLAT HEAD SCREWS(4)



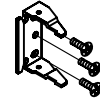
HEAD COVER & END COVER WITH SM4 * 8 FLAT HEAD SCREWS(6)



STRIKE WITH 12# * 1" FLAT HEAD SCREWS (3)



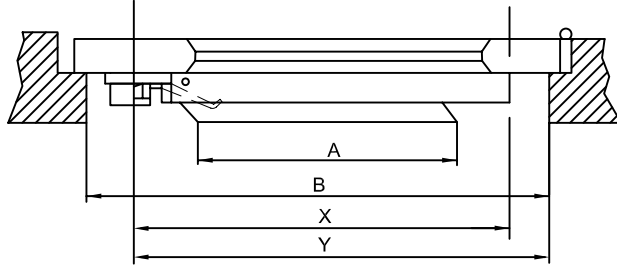
BRACKET WITH 10# * 3/4" ROUND HEAD SCREWS (3)



(optional)
OVERLAPPING STRIKE WITH
10# * 3/4" FLAT HEAD SCREWS(3)

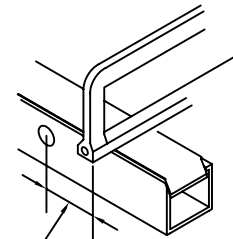
4

VERTICAL
CHASIS



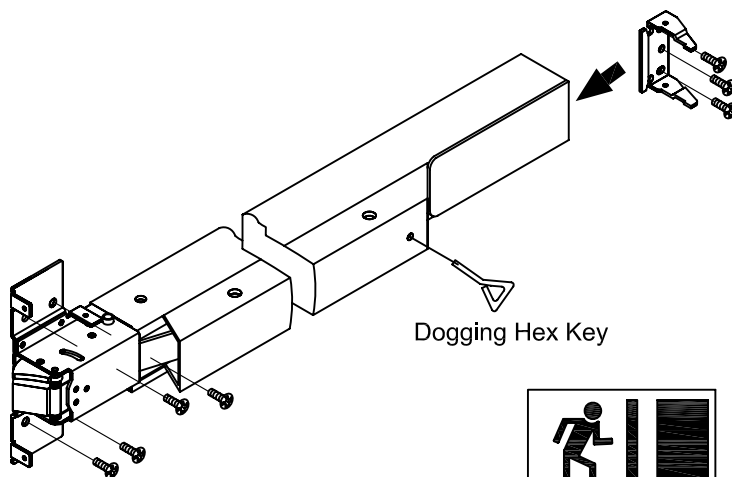
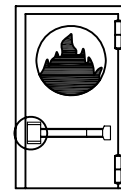
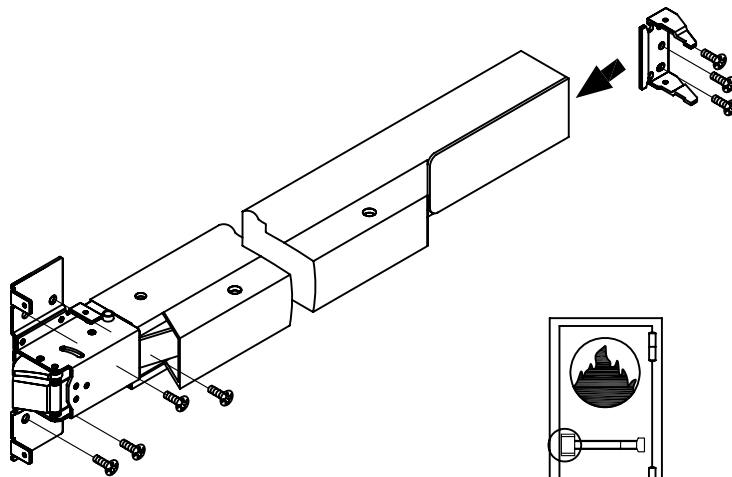
A=min.60%B
EN 1125
Y-X=45mm

CUT OFF AND DEBURR



DON'T CUT CLOSER THAN
45mm FROM LOWER PIVOT

5



Dogging Hex Key



6