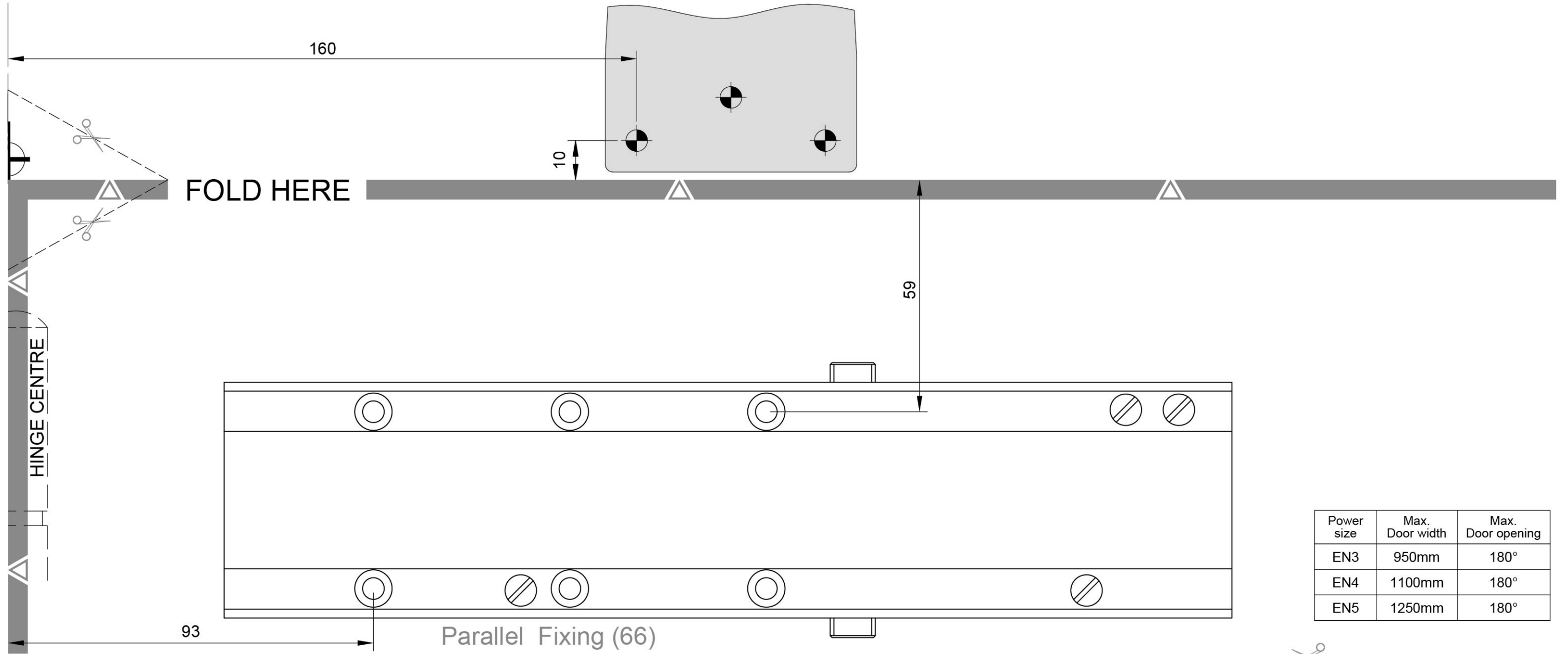
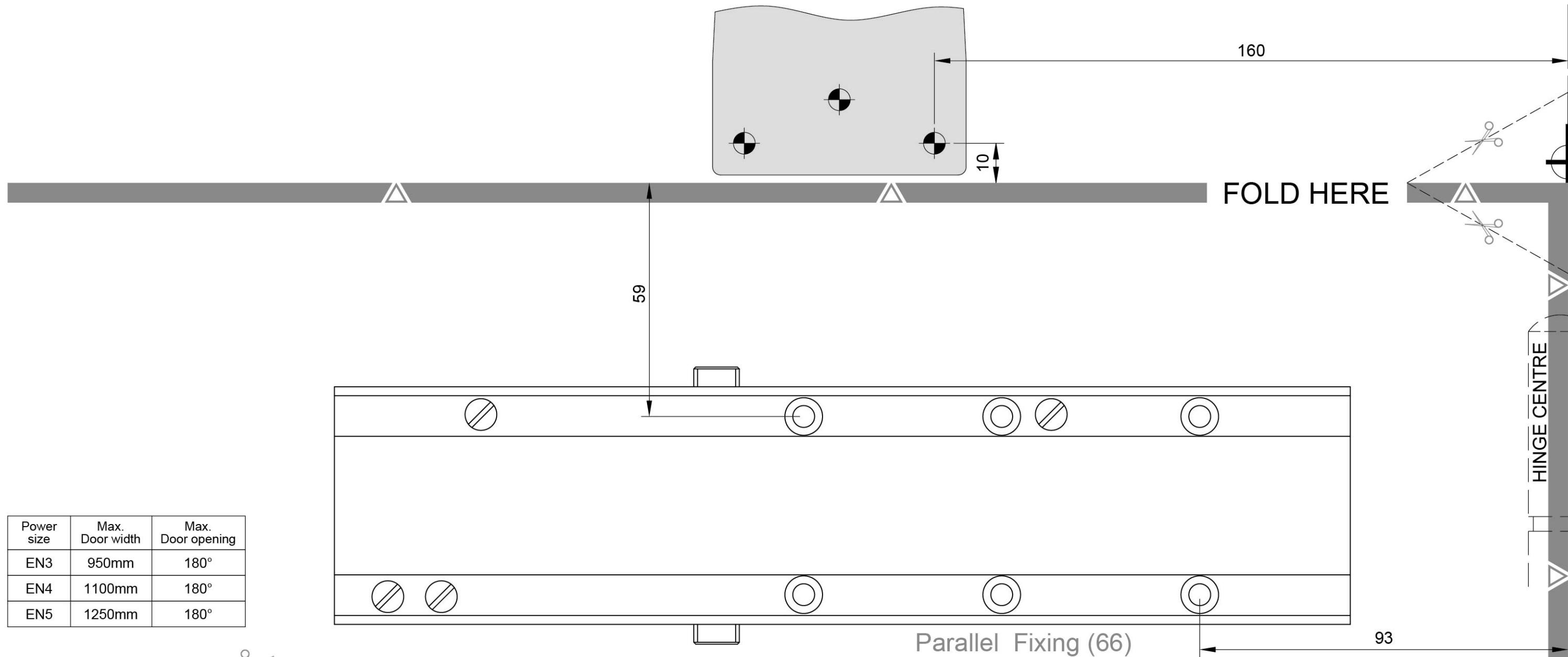


MAKE SURE YOU PRINT TEMPLATE TO SCALE

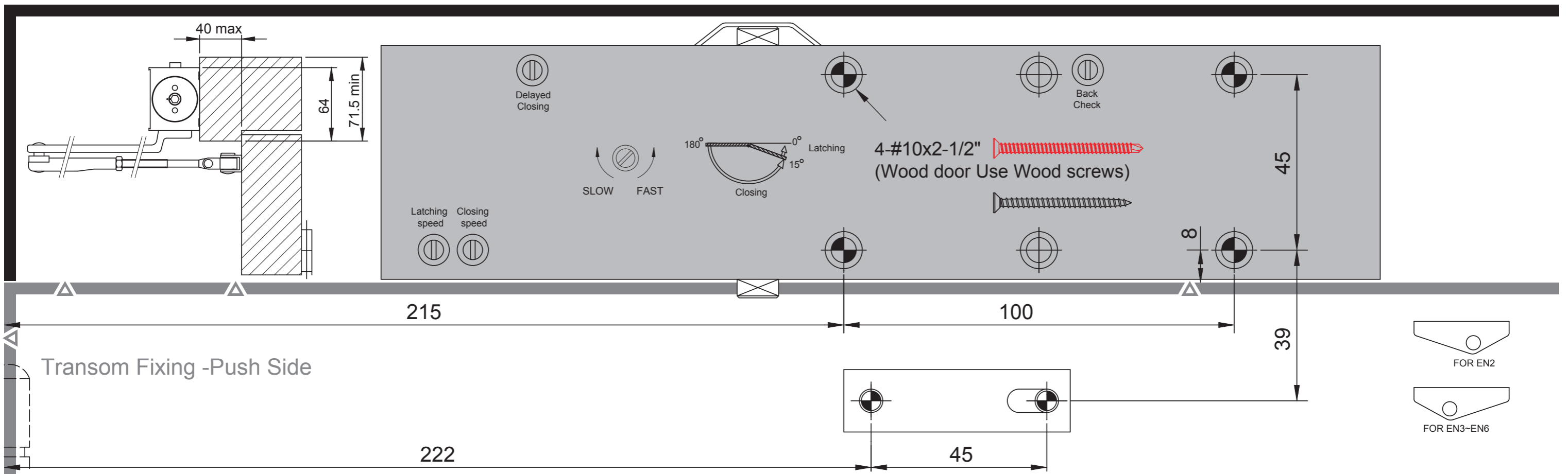
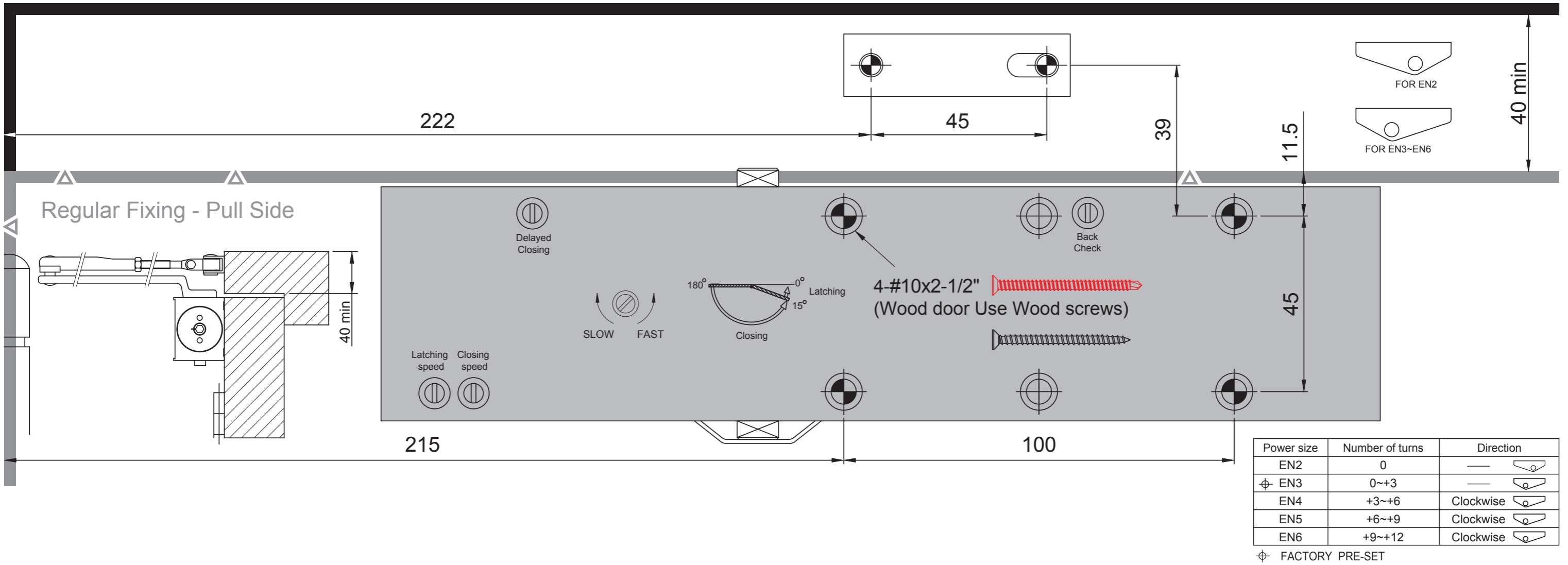


MAKE SURE YOU PRINT TEMPLATE TO SCALE

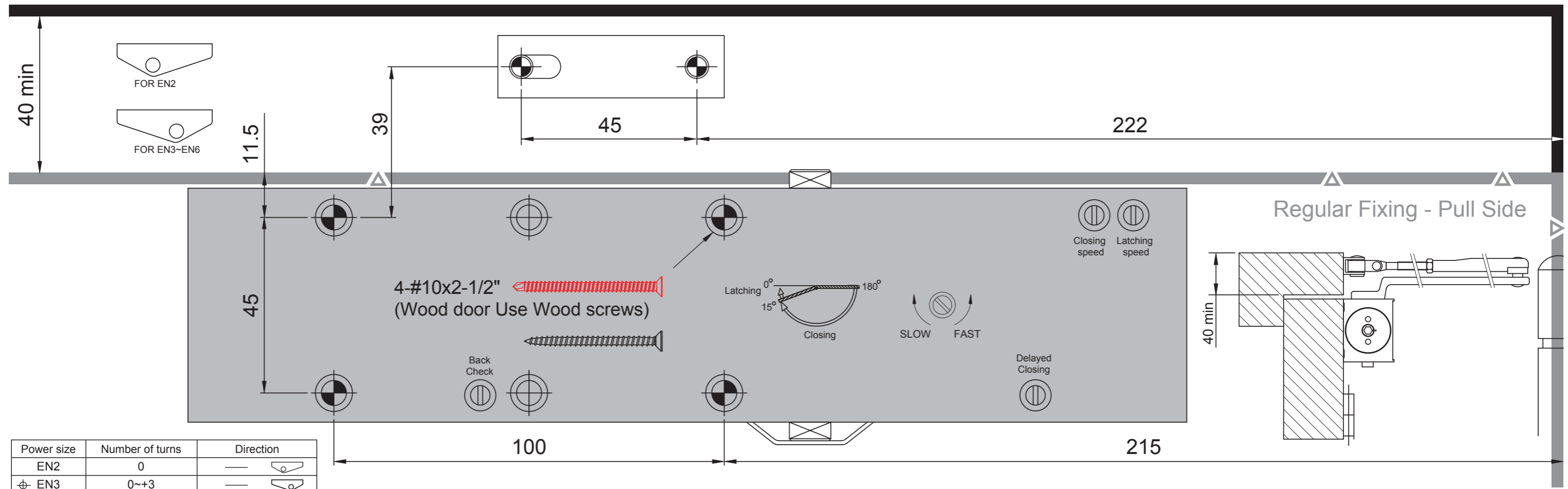


Power size	Max. Door width	Max. Door opening
EN3	950mm	180°
EN4	1100mm	180°
EN5	1250mm	180°

MAKE SURE YOU PRINT TEMPLATE TO SCALE



MAKE SURE YOU PRINT TEMPLATE TO SCALE



Power size	Number of turns	Direction
EN2	0	—
EN3	0~+3	—
EN4	+3~+6	Clockwise
EN5	+6~+9	Clockwise
EN6	+9~+12	Clockwise

⊕ FACTORY PRE-SET

