

# Door Closers

## SGDC165 (RACK & PINION)

### SGDC165 – EN SIZE 2–6 ADJUSTABLE DOOR CLOSER – WITH BACKCHECK

#### PRODUCT SPECIFICATIONS

- SGDC165 is a trim and economical, fire certified door closer suitable for architectural & commercial applications
- Constructed with extruded anodized aluminum body, steel arm protected against rust & high quality steel internal components
- Heat treated steel rack & pinion immersed in high grade oil to operate a nest of coils to give a smooth precise action & minimum wear
- Backcheck function
- Piston & spindle has been heat treated for high strength
- Using needle bearings to reach optimum performance and efficiency
- Extra tensile strength alloy steel springs
- A built-in pressure relief valve protects the closer against abuse
- Stable hydraulic fluid - low sensitivity to temperature change
- Non-handed unit
- Delayed action function between 180° to 65°
- Reversible without any adjustment
- Available with standard arms
- Optional hold-open arms
- Adjustable Closing & Latching Speed - Thermoconstant Valve
- Closing speed range: 180°–15°
- Latching speed range: 15°–0°
- Adjustable for door sizes 2/3/4/5/6
- Suitable for Door size 2 - 6
  - Size #2: Door width of 850mm & Weight of 40kg
  - Size #3: Door width of 950mm & Weight of 60kg
  - Size #4: Door width of 1100mm & Weight of 80kg
  - Size #5: Door width of 1250mm & Weight of 100kg
  - Size #6: Door width of 1400mm & Weight of 120kg
- Silver finish

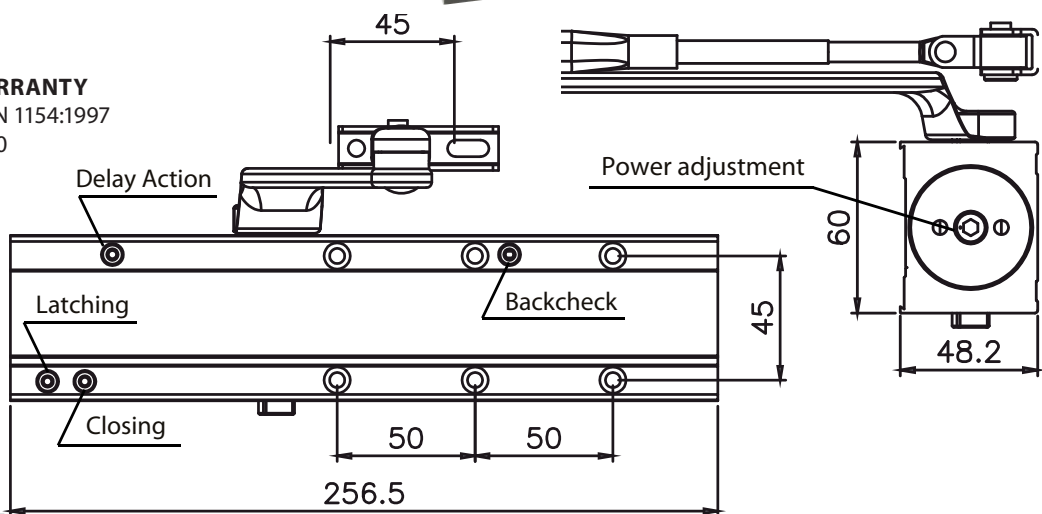


#### STANDARD CONFIGURATION

- Closer unit
- Standard Arm Assembly
- Parallel Arm Bracket
- Mounting Hardware
- Installation Instructions

#### CERTIFICATIONS & WARRANTY

- Tested & certified to BS EN 1154:1997
- Fire rated. AS1905, AS1530
- 5 year warranty\*



#### ORDERING INFORMATION

cat.-no.	Description
SGDC165-S	Standard Arm Door Closer



**LOCKTON**

Commercial Hardware

# DOOR CLOSERS

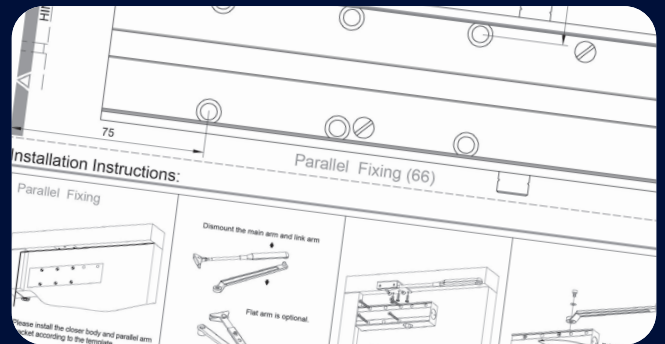
## INSTALLATION COULDN'T BE EASIER



### SELF TAPPING SCREWS

Standard across LOCKTON Door Closer Range.

By popular demand from customers; in addition to standard wood screws, LOCKTON Door Closers now include self tapping screws for installation on metal doors. This removes the time required for pre-drilling holes & using alternative screws for the job.



### NEW DRILLING TEMPLATES

Standard across LOCKTON Door Closer Range.

All LOCKTON Door Closers now come with lifesize templates for standard, left & right hinged, and additional parallel arm installation. Drilling templates also have simple instructions to assemble the pieces to complete the task.

## RACK & PINION DOOR CLOSERS

**CAM-ACTION CLOSERS ALSO AVAILABLE**

• Suits most applications • Super competitive pricing



Art. SGDC-100



Art. SGDC-150



Art. SGDC-160



Art. SGDC-165