

Knob Locksets

KNOB LOCKSETS (GRADE 2)

3000 SERIES – GRADE 2 – HEAVY-DUTY KNOB LOCKSETS

PRODUCT SPECIFICATIONS

- Tested to meet Grade 2 specification of 400,000 cycles
- Retrofits All Australian & New Zealand key systems
- Concealed mounting screws
- Door thickness – 35mm-45mm standard
- Backset – 60mm standard
- Backset – 70mm standard
- Backset – 127mm also available (with extension tube)
- Strike – TStrike 28.2mm x 69.5mm standard
- Door prep – 54mm diameter cross bore
- Latch bolt – 12.7mm throw
- Latch faceplate – 25mm x 57mm standard
- Finish - Satin stainless steel

KEYING

- 6-pin C4 PD cylinder
- 2 keys per lockset

CERTIFICATION & WARRANTY

- Certified AS:1905
- Fire rated
- 3000 Series – Grade 2
- 5 year warranty*



Example Colour Coding

MODEL	: EA3000-60-KD
FUNCTION	: ENTRANCE SET
FINISH	: SATIN STAINLESS STEEL
BACKSET	: 60 mm
DOOR THICKNESS	: 35-45 mm

ORDERING INFORMATION

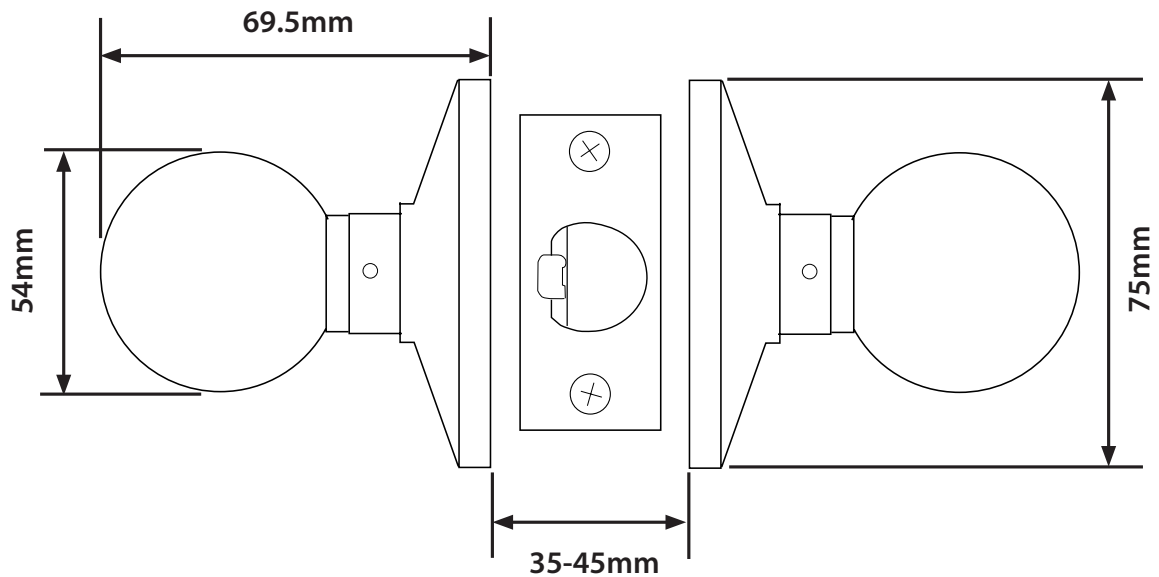
cat.-no.	Description	Label colour coding
EA3000-KD	Entrance 70mm backset	
EA3000-60-KD	Entrance 60mm backset	
EA3011-KD	Double cylinder lock/unlock 70mm backset	
EA3061-KD	Double cylinder vestibule set 70mm backset	
EA3012-KD	Classroom 70mm backset	
EA3030	Privacy 70mm backset	
EA3052	Half Set 70mm backset	
EA3062-KD	Storeroom 70mm backset	
EA3062-60-KD	Storeroom 60mm backset	
EA3075	Dummy Set 70mm backset	
EA3082	Passage 70mm backset	
CC60-D-SS	Spare 60mm deadlatch	
CC70-D-SS	Spare 70mm deadlatch	
007-NA82906	Grade 2 cylindrical 70-127mm extension tube	



KNOB LOCKSETS (GRADE 2)

3000 SERIES – GRADE 2 – HEAVY-DUTY KNOB LOCKSETS

3000 Series



FUNCTION

cat.-no.		Description
EA3000 <i>Entrance</i>		Push-button locking; pushing button locks outside knob until unlocked by key or by turning inside knob. Inside knob is always free for immediate egress.
EA3011/3061 <i>Double Cylinder</i>		EA3011- Double Cylinder - Key locks/unlocks both knobs. EA3061- Double Cylinder - Knobs always locked, key retracts latch.
EA3012 <i>Classroom</i>		Key required to either lock or unlock outside knob. Inside knob is always unlocked and free for immediate egress.
EA3030 <i>Privacy</i>		Push-button locking. Can be opened from outside with a small screwdriver. Turning inside knob or closing door releases button. Inside knob is always free for immediate egress.
EA3052 <i>Latching Half Set</i>		Blank plate outside. Inside knob always unlocked and always free.
EA3062 <i>Storeroom</i>		Outside knob always locked. Entrance by key only. Inside knob unlocked and free for immediate egress.
EA3075 <i>Single Dummy</i>		Dummy trim for one side of the door. Used for door pull or as matching inactive trim. No mechanical operation. Surface-mounted single dummy trim.
EA3082 <i>Passage</i>		Both knobs always unlocked and always free for immediate ingress & egress.