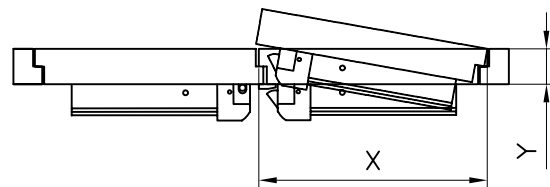
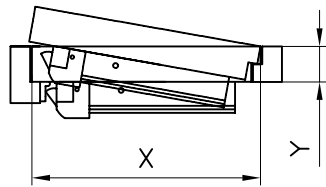


INSTALLATION INSTRUCTION OF SGPD200VR/200VR-F & SGPD250VR/250VR-F

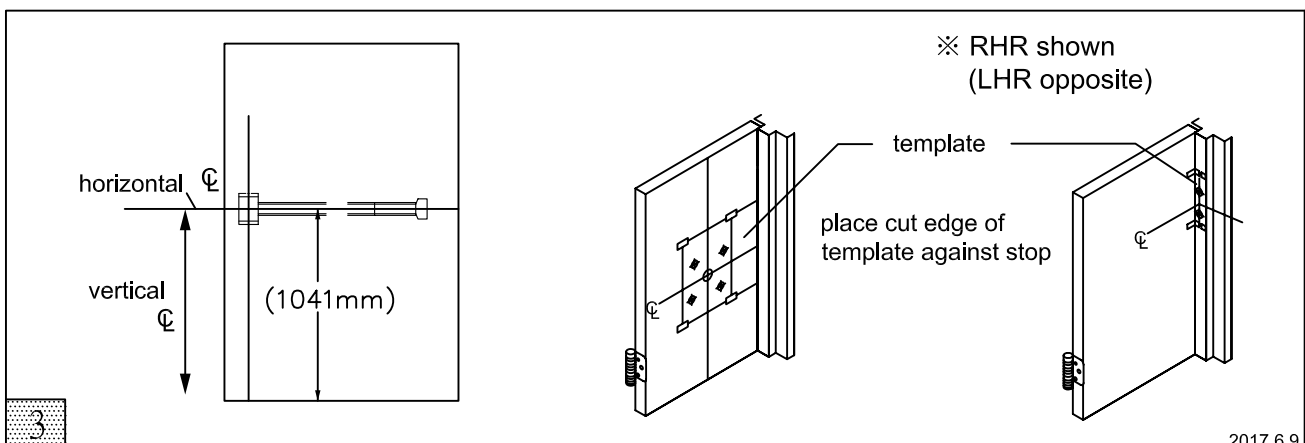
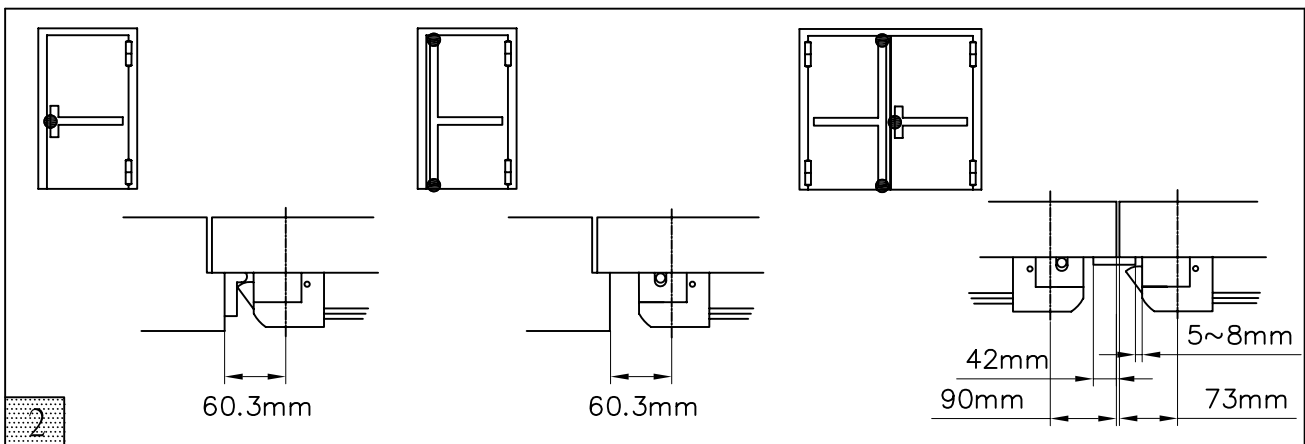
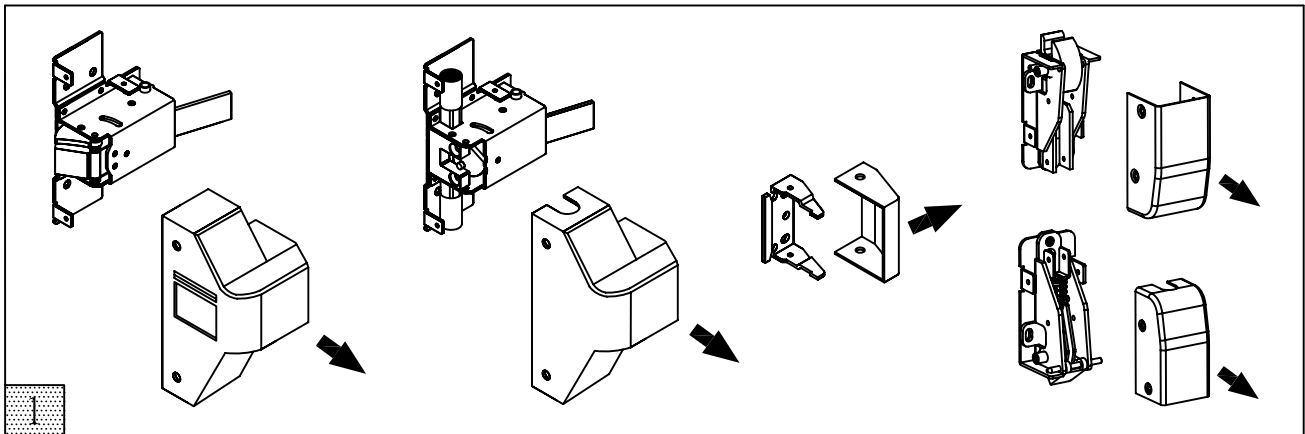


It may be the case that the panic fitting cannot be installed on extreme door situations according to standard measurements (door with X smaller than 1000mm in connection with the distance of the hinge Y bigger than 90mm)

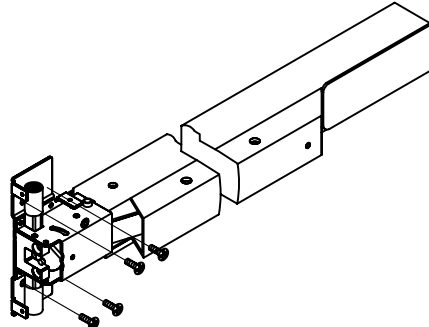
Der Panik-Beschlag kann bei extremen Türsituationen mit einer Türbreite $X < 1000$ mm in Verbindung mit dem Abstand des Bandes $Y > 90$ mm evtl. nicht nach den Standardmaßen montiert werden .

DOOR SIZES


This product is suitable for doors from 775mm to 1100mm width and up to 2400mm height.



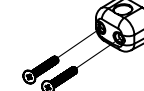
INSTALLATION INSTRUCTION OF SGPD200VR/200VR-F & SGPD250VR/250VR-F




CHASSIS ASS'Y WITH 10# * 3/4" FLAT HEAD SCREWS(4)



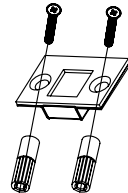
TOP STRIKE & BOTTOM STRIKE WITH
10# * 3/4" FLAT HEAD SCREWS (2)
10# * 5/8" RUND HEAD SCREWS (4)



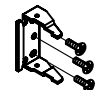
ROD GUIDE (2) WITH 10# * 1-1/2" FLAT HEAD SCREWS (4)



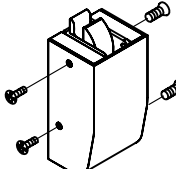
TOP ROD = 916mm
BOTTOM ROD = 961mm
EXTENDED ROD (optional)



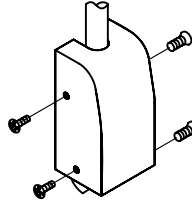
FLUSH STRIKE WITH
M6 * 12mm FLAT HEAD SCREWS (2)
M6 * 25mm EXPANSION BOLT (2)



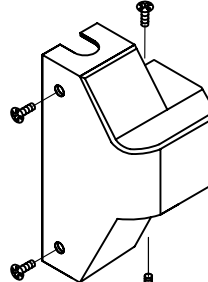
BRACKET WITH 10# * 3/4" ROUND HEAD SCREWS (3)




TOP LATCH WITH SM4 * 8 FLAT HEAD SCREWS (4)



BOTTOM LATCH WITH SM4 * 8 FLAT HEAD SCREWS (4)

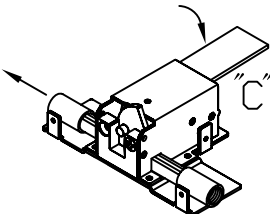


HEAD COVER WITH SM4 * 8 FLAT HEAD SCREWS (4)

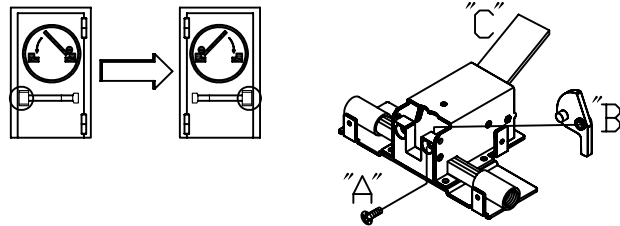


END COVER WITH SM4 * 8 FLAT HEAD SCREWS (2)

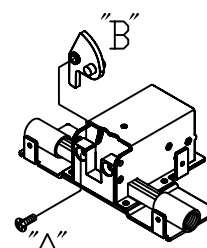
4



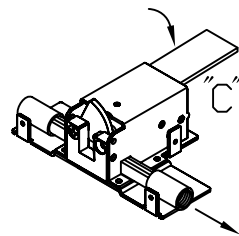
PRESS LIFT ARM "C" AND ENSURE THE DIRECTION. SCREW IS BELOW HOLE AS FLG SHOWN.



UNSCREW "A" AND TAKE OFF "B".

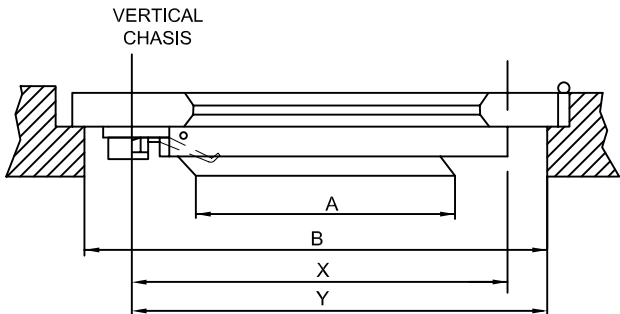


TURN "B" 180° AND PUT IT BACK AS FLG SHOWN. THEN, FASTEN "A" AT ABOVE SCREW HOLE.



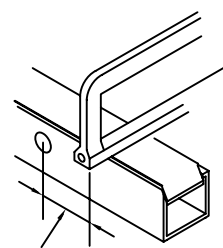
OPERATE LIFT ARM "C" TO ENSURE THE PROCESSING DIRECTION IS REVERSED.

5



VERTICAL CHASIS

A = min. 60%B
EN 1125
Y - X = 45mm



DON'T CUT CLOSER THAN 45mm FROM LOWER PIVOT

6

INSTALLATION INSTRUCTION OF SGPD200VR/200VR-F & SGPD250VR/250VR-F

