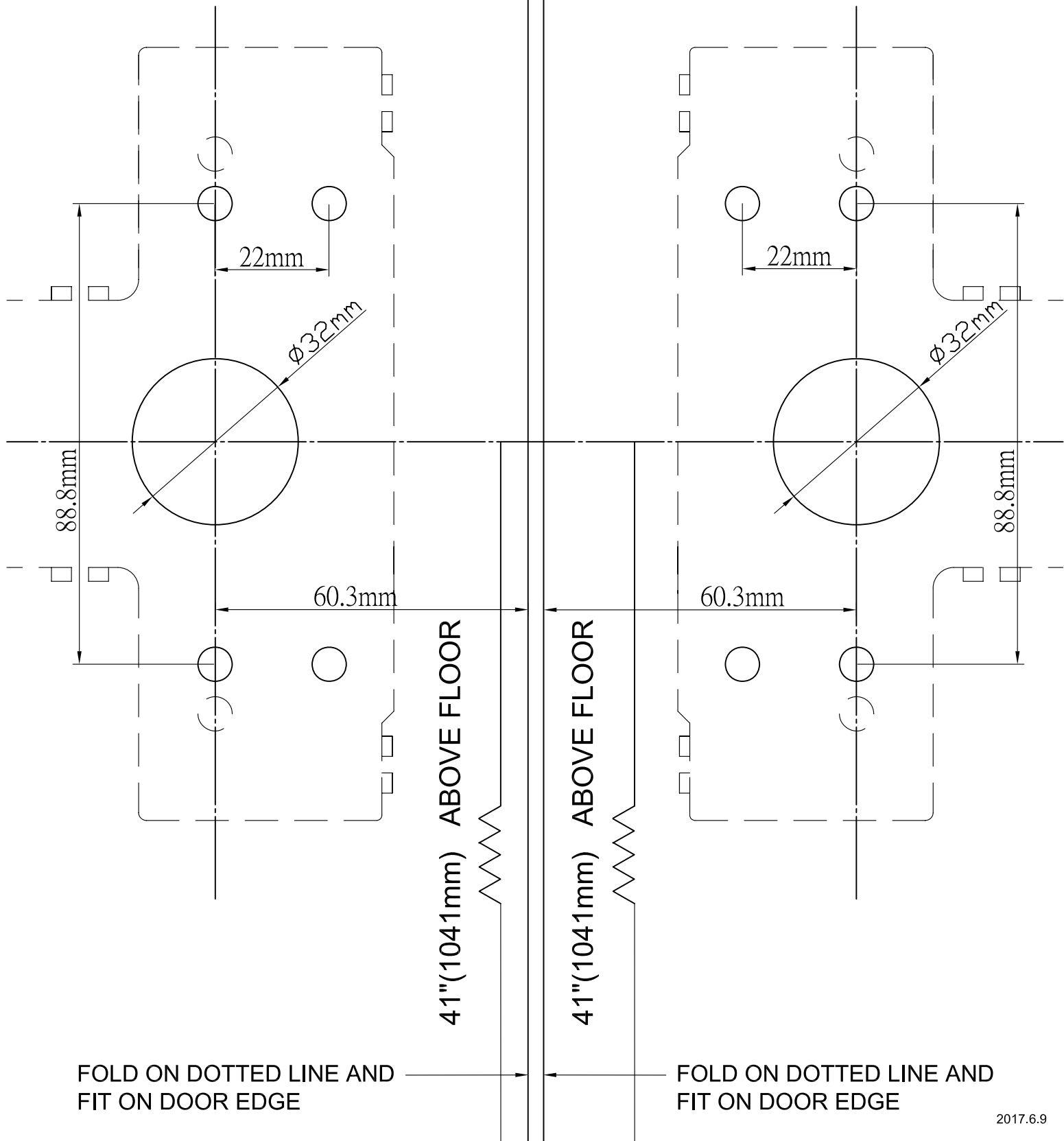
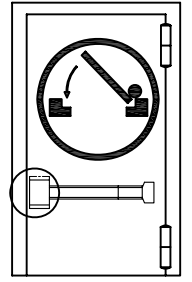
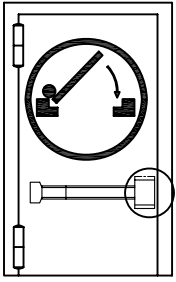


# TEMPLATE OF SGPD200VR/200VR-F & SGPD250VR/250VR-F (1:1)



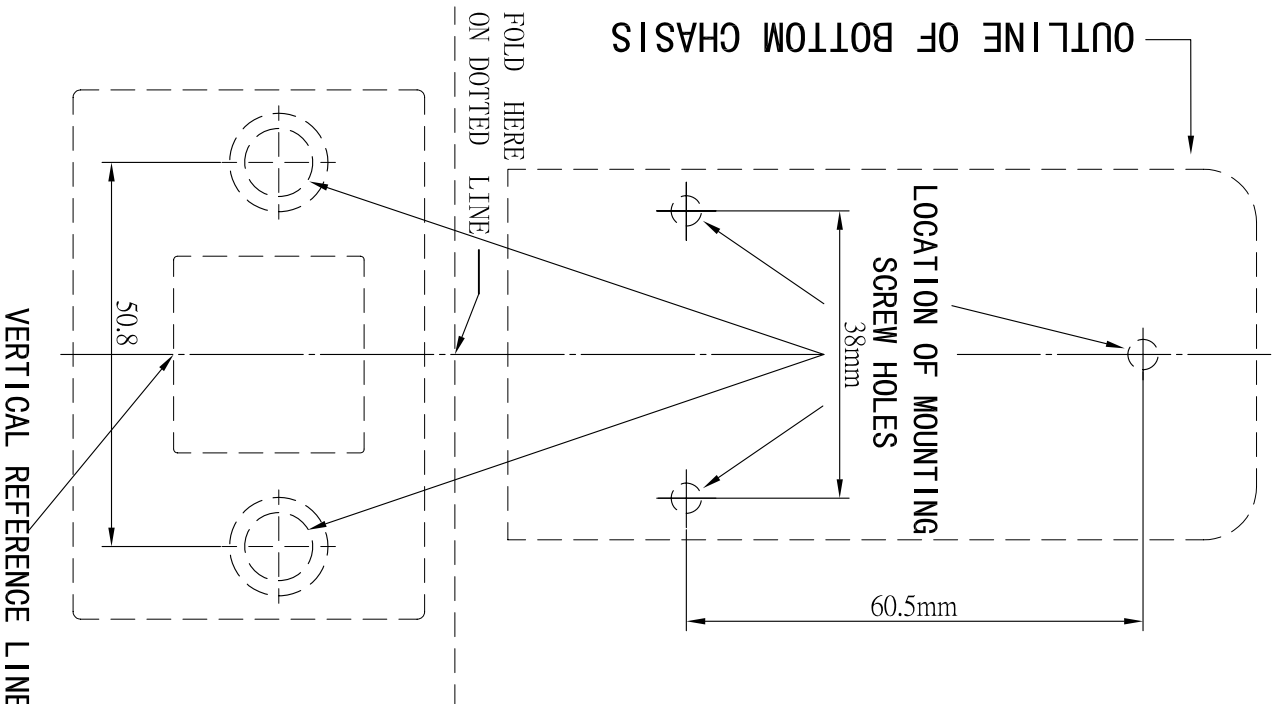
# TEMPLATE of Bottom LATCH

(1:1)

FOR SGP200VR/200VR-F & SGP250VR/250VR-F

VERTICAL ROD EXIT DEVICE

**【Strike 733 (flush strike)】**



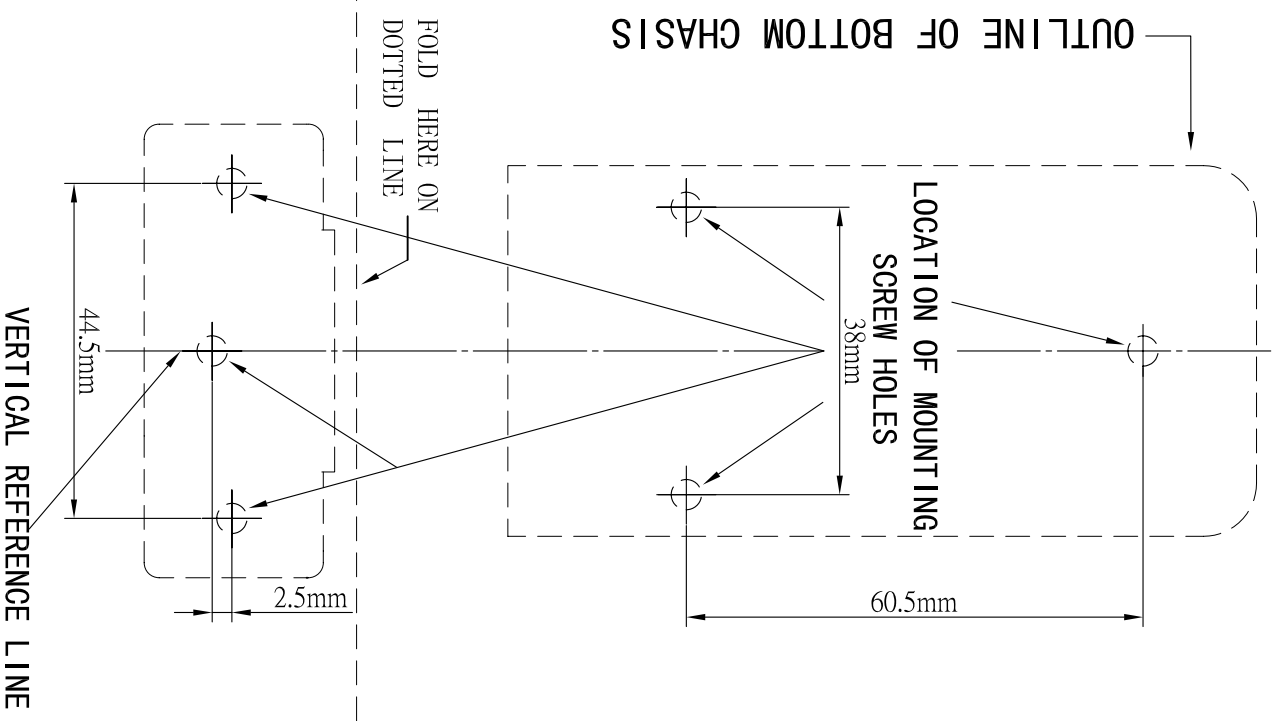
# TEMPLATE of Bottom LATCH

(1:1)

FOR SGP200VR/200VR-F & SGP250VR/250VR-F

VERTICAL ROD EXIT DEVICE

**【Strike 730 (regular use)】**

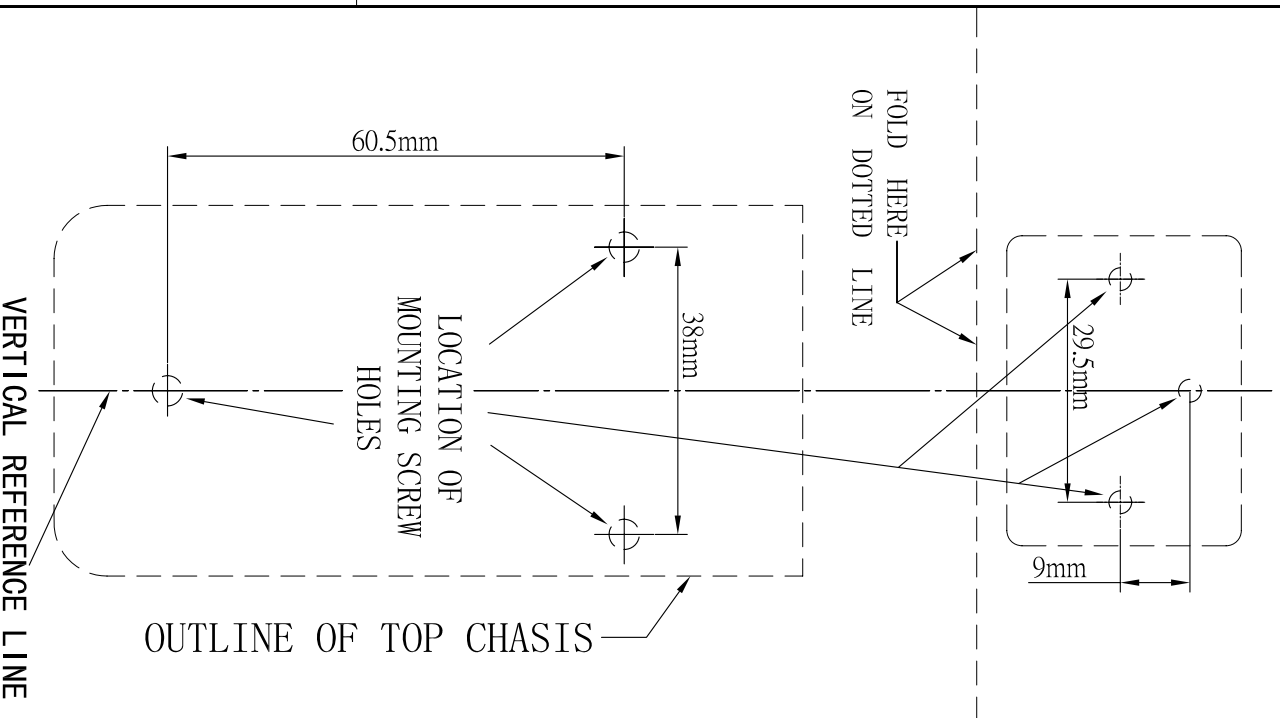


# TEMPLATE of Top LATCH

(1:1)

FOR SGP200VR/200VR-F & SGP250VR/250VR-F

VERTICAL ROD EXIT DEVICE



# TEMPLATE FOR SGPD200VR/200VR-F SGPD250VR/250VR-F

**【 Overlapping Strike 710 】**

**(1:1)**

