



LOCKTON
ESSENTIALS

SGHI - HINGED SCREEN DOOR LOCK

*CYLINDER NOT INCLUDED - Use 1-8150 C4 x 5 pin, 1-8158 C4 x 4 pin OR 1-8190 5 wafer cylinders. Only use the cylinder retaining screw provided with the lock.

INSTRUCTIONS

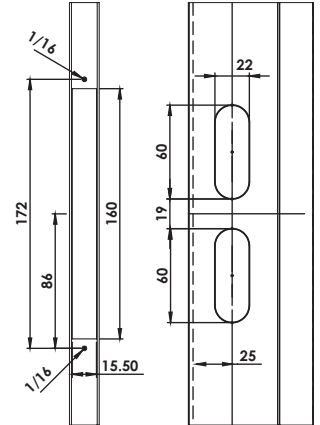
1. PREPARING THE DOOR

For NEW installations

- Once the desired lock height has been decided, drill and cut out both sides of the door as per the dimensioned drawing.
- NOTE: lock heights for doors leading onto pool areas, are regulated. Check with your local authority for confirmation.

For REPLACEMENT re-installations

- Note that the front door edge cut-out may require modification.



2. INSTALLATION OF THE LOCK

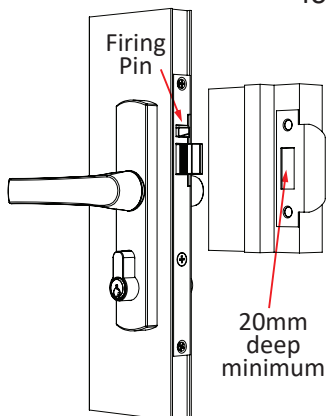
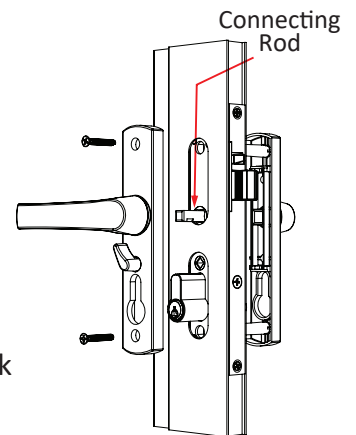
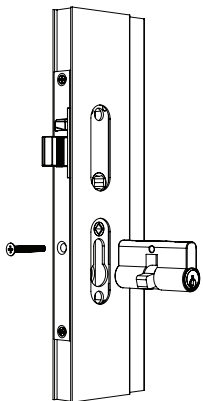
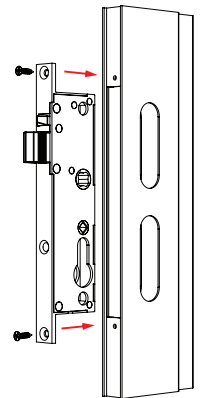
- With the lock body tongue facing to the top, insert the lock body into the cut out in the front edge of the door.
- Secure the lock body using the 2 x 12mm fixing screws provided.
- IMPORTANT: Ensure that the main lock tongue is fully extended by depressing the firing pin and that the lock is deadlocked by the cylinder, before fitting the cylinder screw.

The lock must be mounted with the tongue facing to the top. The product warranty cannot be guaranteed if the lock is mounted upside down.

- Insert the cylinder so the cam rotates toward the front of the door. Use the 32mm cylinder retaining screw provided for Whitco® cylinders only. Other cylinders (including Total branded cylinders) are supplied with a cylinder retaining screw to suite.

- Do not over tighten.
- Insert the connecting rod through the lock body as shown.
- Select the internal handle assembly with the snib.

Holding the snib upright, and the handle lever in a horizontal manner, place the handle assembly over the lock body on the inside of the door. Repeat for the outside handle assembly then secure together with the 2 x 25mm thread forming handle screws supplied. Do not over tighten.



3. INSTALLATION OF THE STRIKE

- Ensuring the door is unlocked, close the door and mark the door jamb 16mm up from the top of the firing pin found at the front of the lock body.
- Position the top of the striker plate with the mark just made on the jamb.
- Mark the screw holes and tongue recess. Make sure the recess for the tongue is a minimum 20mm deep. Install the striker plate with the 25mm screws provided.
- **IMPORTANT:** Successful operation of the lock requires that the firing pin be depressed against the striker plate. Jamb and door clearance should be 3mm.

SEE OVER FOR PACK CONTENTS, WARRANTY & IMPORTANT INFO



LOCKTON
ESSENTIALS

SGHI - HINGED SCREEN DOOR LOCK

***CYLINDER NOT INCLUDED - Use 1-8150 C4 x 5 pin, 1-8158 C4 x 4 pin OR 1-8190 5 wafer cylinders. Only use the cylinder retaining screw provided with the lock.**

WARRANTY

*10 Year Satisfaction Warranty. This product is designed to perform satisfactorily for 10 years from date of purchase when used in its intended application. Should it not perform satisfactorily during the 10 year period, simply return to place of purchase with proof of purchase for a replacement or refund.

Our goods come with guarantees that cannot be excluded under the Australian Consumer Law. You are entitled to a replacement or refund for a major failure and compensation for any other reasonably foreseeable loss or damage. You are also entitled to have the goods repaired or replaced if the goods fail to be of acceptable quality and the failure does not amount to a major failure.

PACK CONTENTS

- Lock body x 1
- Inside handle with snib x 1
- Outside handle x 1
- Connecting rod x 1
- Striker plate x 1
- 32mm cylinder retaining screw x 1
- 12mm fixing screws x 2
- 25mm handle screws x 2
- 25mm striker plate screws x 2

IMPORTANT INFORMATION

The snib lever is not a security device. It is only design as a temporary measure only. Use the key to deadlock the lock for security.

When locking with the key internally, we recommend leaving the key in close proximity to the lock where it can easily be accessed in case of a fire or other emergency.

When removing the key, be careful not to overturn the key in case you unlock the lock unintentionally.