

Lever Locksets

LEVER LOCKSETS (GRADE 2)

6000 SERIES – GRADE 2 – HEAVY-DUTY LEVER LOCKSETS

PRODUCT SPECIFICATIONS

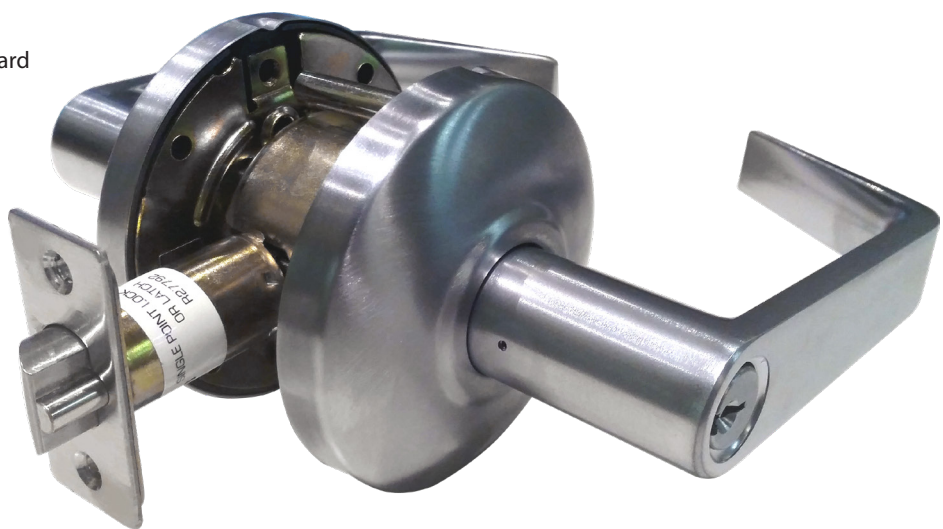
- Tested to meet Grade 2 specification of 400,000 cycles
- Concealed mounting screws
- Door thickness – 35mm-51mm standard
- Backset – 70mm standard
(60mm, 127mm available)
- Exposed trim – Pressure cast zinc, plated to match finish
- Strike – TStrike 28.2mm x 69.5mm standard
- Door prep – 54mm diameter cross bore
- Latch bolt – 12.7mm throw
- Latch faceplate – 25.4mm x 57 mm standard
- Finish – Satin chrome

KEYING

- 6-pin C4 PD cylinder
- 2 keys per lockset

CERTIFICATION & WARRANTY

- Certified AS:1905
- Fire rated
- 6000 Series – Grade 2
- 5 year warranty*



Example Colour Coding

MODEL	: EU6082
FUNCTION	: PASSAGE SET
FINISH	: SATIN CHROMIUM PLATED
BACKSET	: 70 mm
DOOR THICKNESS	: 35-51 mm

ORDERING INFORMATION

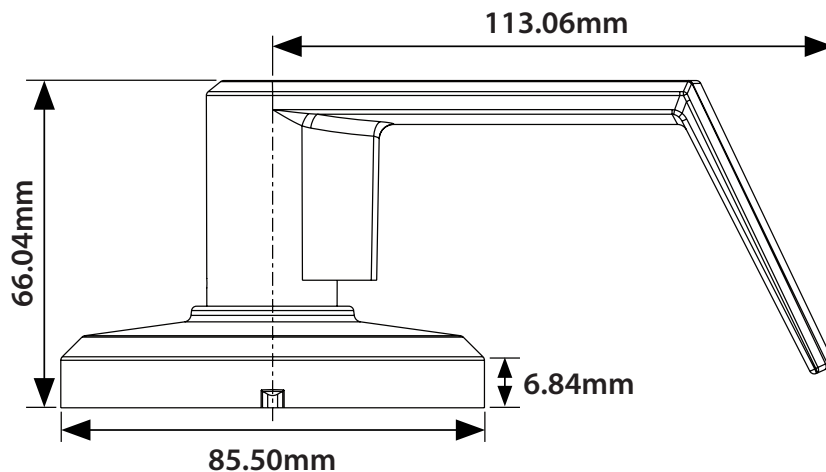
cat.-no.	Description	Label colour coding
EU6000-KD	Entrance 70mm backset	
EU6011-KD	Double cylinder lock/unlock 70mm backset	
EU6012-KD	Classroom 70mm backset	
EU6030	Privacy 70mm backset	
EU6052	Backsetting Half Set 70mm backset	
EU6061-KD	Institution Set 70mm backset	
EU6062-KD	Storeroom 70mm backset	
EU6079	Half Dummy 70mm backset	
EU6082	Passage 70mm backset	
CC60-D-SS	Optional 60mm deadlatch	
007-NA82906	Optional Grade 2 cylindrical 70-127mm extension tube	
CC70-D-SS	Spare 70mm deadlatch	



LEVER LOCKSETS (GRADE 2)

6000 SERIES – GRADE 2 – HEAVY-DUTY LEVER LOCKSETS

6000 Series



FUNCTION

cat.-no.		Description
EA6000 <i>Entrance</i>		Turn/push-button locking; pushing and turning button locks outside lever, requiring use of key until button is manually unlocked. Push-button locking; pushing button locks outside lever until unlocked by key or by depressing inside lever. Inside lever is always free for immediate egress.
EU6011/6061 <i>Double Cylinder</i>		EU6011- Double Cylinder - Key locks/unlocks both levers. EU6061- Double Cylinder - Lever always locked, key retracts latch.
EU6012 <i>Classroom</i>		Key required to either lock or unlock outside lever. Inside lever is always unlocked and free for immediate egress.
EU6030 <i>Privacy</i>		Push-button locking. Can be opened from outside with a small screwdriver. Turning inside lever or closing door releases button. Inside lever is always free for immediate egress.
EU6052 <i>Latching Half Set</i>		Blank plate outside. Inside lever always unlocked and always free.
EU6062 <i>Storeroom</i>		Outside lever always locked. Entrance by key only. Inside lever unlocked and free for immediate egress.
EU6079 <i>Half Dummy</i>		Dummy trim for one side of door. Used for door pull or as matching inactive trim. No mechanical operation. Surface-mounted single dummy trim.
EU6082 <i>Passage</i>		Both levers always unlocked and always free for immediate ingress & egress.