

# Power Transfer Lead Covers



The LC8810 and LC8811 Power Transfer Lead Covers are designed to ensure unbroken transfer of wires between door and frame in electric locking situations.

## Features

- Provides unbroken connection from controller to lock, for cable up to 8 mm diameter
- Vandal-resistant chrome plated flexible steel
- Completely concealed when the door is closed

## Applications

### LC8810

The LC8810 is a shorter unit suitable for hinged doors which open to 90° (maximum of 120°).

### LC8811

The LC8811 is designed for use on doors which open more than 120°, or have a gap from pin hinge to door frame of more than 20 mm.

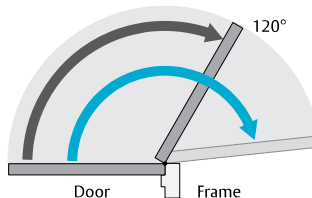
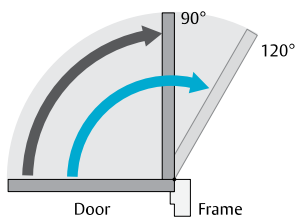
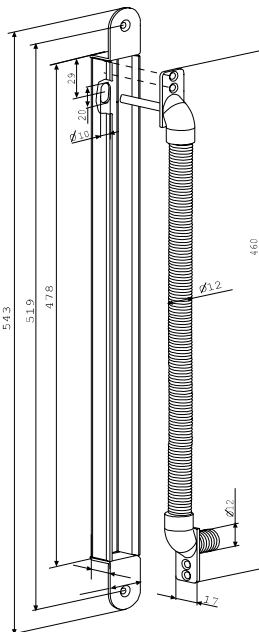
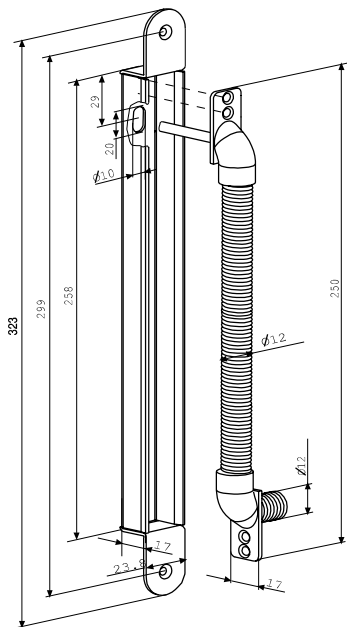
**Note:** Not suitable for centrally pivoted doors.

## Standards and Compliance



Successfully fire rated up to 4 hours on fire door assemblies in accordance with AS1905.1. 2005 (Part 1: Fire Resistant Doorsets)

# Power Transfer Lead Covers



LC8810

### Description

The LC8810 is a shorter unit suitable for hinged doors which open to 90° (maximum of 120°).

LC8811

### Description

The LC8811 is designed for use on doors which open more than 120°, or have a gap from pin hinge to door frame of more than 20 mm.

**Note:** Not suitable for centrally pivoted doors.

### Ordering Information

Part Number	Product Description
LC8810	323mm Power Transfer Cable
LC8811	543mm Power Transfer Cable