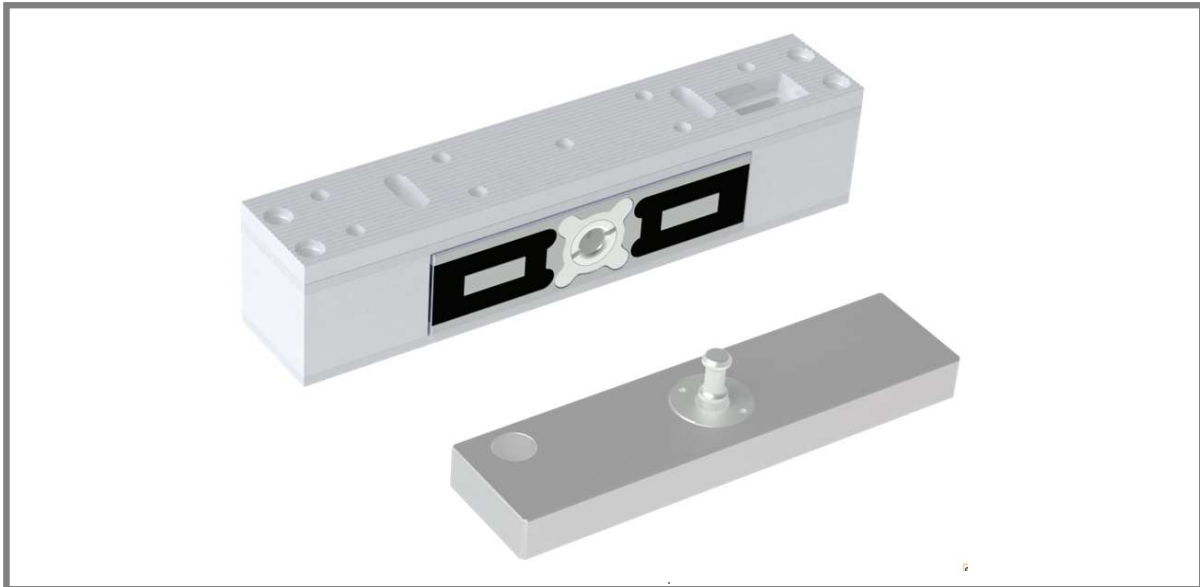


MEM2400 Mechanical Electromagnetic Lock

MEM2400 Series



General Description

MEM2400 series is an innovative product which successively incorporates mechanical designs into the electromagnetic lock. This innovative design allows the lock to achieve high holding force up to 680kgs, and impact resistance of 100J while reducing the lock size by 67% of the equivalent lock.

MEM2400 series is a certified environmental friendly product operating with low power consumption. In addition, due to its compact size, it can significantly reduce the amount of materials required to manufacture therefore reduce the amount of carbon footprint emission and conserve more natural resource for Earth.

MEM2400 series features Early Warning (EW), Door Status Sensor (DSS), and Lock Status Sensor (LSS) signal outputs. EW signal is triggered when the secured door is under pressure for less than 22lbs. Different to the DSS and LSS sensors, the EW signal is triggered when door remained locked and is used for an early notification of potential intruders.

The MEM2400 is suitable for:

- Fire door application
- High security door application

Key Features in MEM2400 Series

MEM2400 Series	Description
Holding Force	>680kgs
Property	Fail Safe
Durability	>1 million
Impact Resistance	>100J
Monitoring	Early Warning (EW) Door Status Sensor Lock Status Sensor
Light Indicator	<u>MEM2400-LP</u> Light Panel <u>MEM2400-60</u> Bi-Color LED
Net Weight	1.4kgs for MEM2400-LP 1.7kgs for MEM2400-60

MEM2400 Series Technical Information

SPECIFICATION	PREMIUM SERIES
Lock Body Dimension	<u>MEM2400-60</u> 218L x 36W x 33.1D (mm)
	<u>MEM2400-LP</u> 158L x 36W x 33.1D (mm)
Armature Plate Dimension	<u>MEM2400-60</u> 180L x 30.5W x 12.5D (mm)
	<u>MEM2400-LP</u> 120L x 30.5W x 12.5D (mm)
Lock Operating Voltage	12/24VDC ±10%
Lock Operating Current	<u>MEM2400-60</u> 12VDC@350mA / 24VDC@175mA
	<u>MEM2400-LP</u> 12VDC@240mA / 24VDC@120mA
Holding Force	Up to 680kgs
Impact Resistance	Up to 100J
Monitoring Sensor	Early Warning (EW) Door Status (DSS) Lock Status (LSS)
Operating Temp	-10°C~60°C
Net Weight	1.4kgs for MEM2400-LP
	1.7kgs for MEM2400-60
Operating Humidity	0~80% (non-condensing)
Surface Finish	High Quality plating for anti-corrosion
Residual Magnetism	No residual magnetism
Standard Packing	10pcs/carton

Ordering Information

MODEL NUMBER	DESCRIPTION
MEM2400-LP	Light Panel indicator, including SEC bracket and for out-swing door application
MEM2400-60	LED indicator, including L&Z bracket for in-swing door application

Accessories

MODEL NUMBER	DESCRIPTION
UBG12-24	U Bracket for Glass Door
ATB 2400	Adjustable Bracket
SEC2400	Security Bracket, included in MEM2400-LP package for out-swing door application
L&Z 2400-60	L&Z Bracket, included in MEM2400-60 package for in-swing door application

Warranty

1 year warranty

Standard and Compliance



(Applied)



(Applied)



(Applied)

BS EN1634-1:2014 Fire rated 4 hours

EN 1634-1:2014 Fire rated 4 hours

MEM2400-60 and L&Z Bracket Package

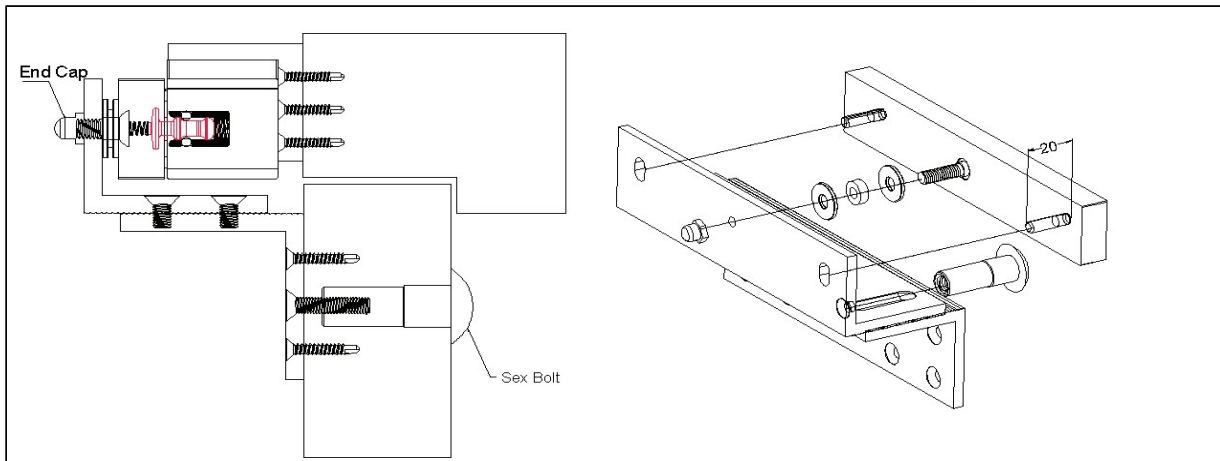


Figure 1. MEM2400-60 comes with L&Z bracket (L&Z 2400-60) suitable for in-swing door application.

MEM2400-LP, SEC Bracket, and Sex Bolt, and Sex Bolt Package (Wooden Door Installation)

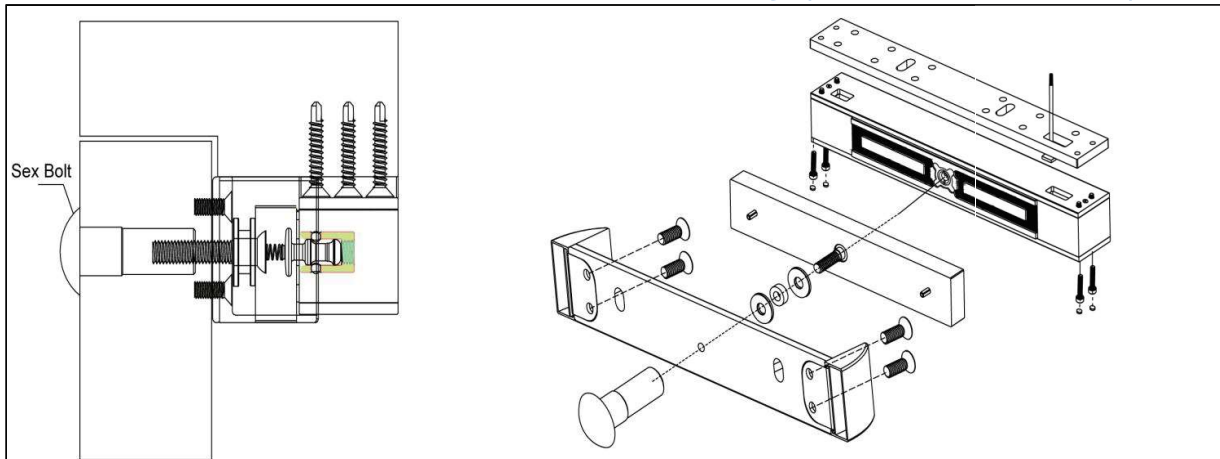


Figure 2. MEM2400-LP, Security Bracket (SEC 2400) and Sex Bolt installation for out-swing wooden door, sex bolt is used to enhance the holding strength of SEC bracket.

MEM2400-LP and SEC Bracket Package (Metallic Door Installation)

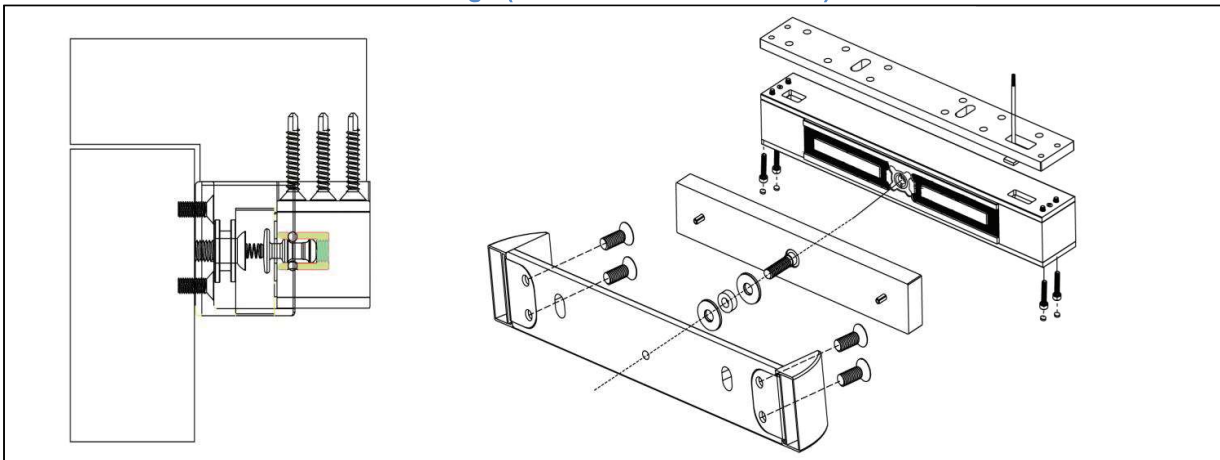


Figure 3. MEM2400-LP and Security Bracket (SEC 2400) installation for out-swing metallic door, sex bolt is not used.