

Technical Specifications

Soterix Systems 5MP Bullet Camera

- 30fps at 5MP
- H.265, H.264 and MJPEG compression
- People & Vehicle Detection
- Remote zoom & focus lens (Auto-focus)
- Audio support
- Power over Ethernet (IEEE 802.3af)



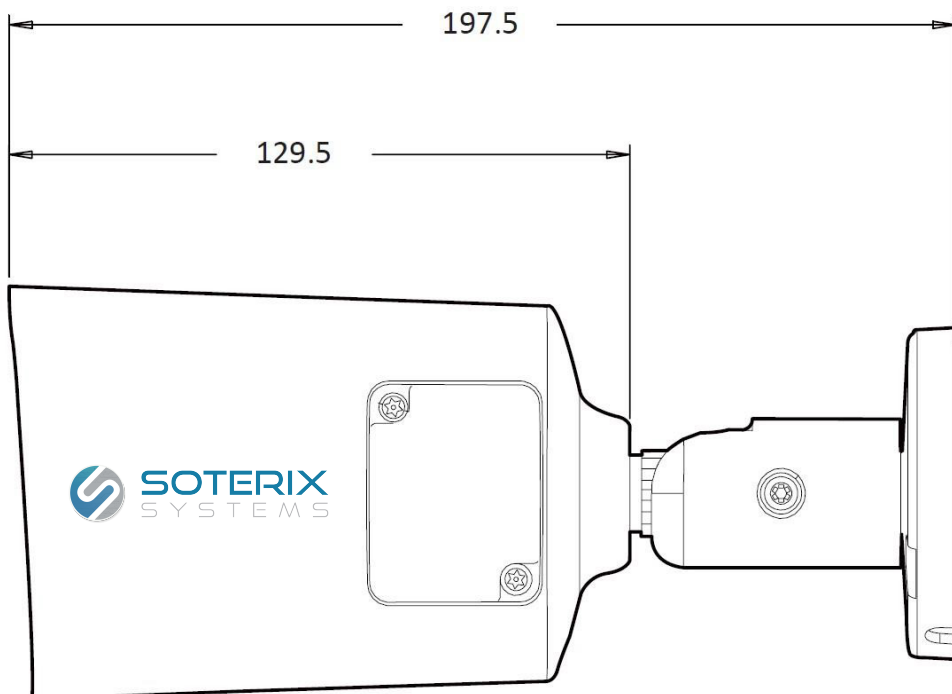
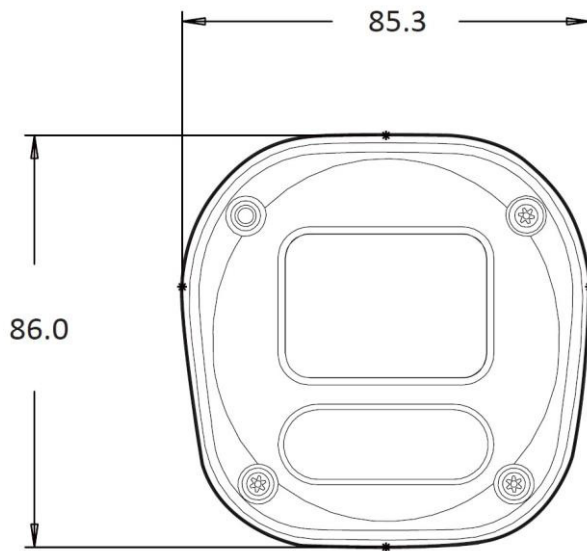
Camera	
Model	BC-5V-1
Image Sensor	SONY STARVIS2 1/2.8" 5.17M CMOS
Effective Pixels	2592(H) x 1944(V)
Scanning System	Progressive scanning
AGC Control	Auto
IRIS Type	P-IRIS
Minimum Illumination	Color: 0.04 Lux / B/W : 0 Lux (IR LED On)
Lens	2.7 – 13.5 mm, F1.4
Angle of View	Horizontal: Approx. 98.3° (Wide) to 31.6° (Tele)
Shutter Time	Auto / Manual: 1/30 ~ 1/32,000, Anti-Flicker, Slow Shutter (1/2,1/3,1/5,1/6,1/7.5,1/10)
Day & Night	True Day & Night (Removable IR-cut filter)
Wide Dynamic Range	True WDR
S/N Ratio	50 dB
IR Illuminator	
IR LED	3 x High Power LED
IR Working Distance	40 m
Video	
Video Compression	H.265, H.264, MJPEG
Profile	H.264 : MP / HP H.265 : MP
Multiple Profile Streaming Performance	2592x1944/30 + 480p30 with H.264,H265 + MJPEG
Max Resolution	2592 x 1944
Video Bit Rate	100Kbps ~ 25Mbps Multi-rate for Preview and Recording
Bitrate Control	Multi Streaming CBR/VBR (Controllable frame rate and Bandwidth)
Digital Noise Reduction	3D-DNR
Privacy Mask	16 programmable zones
Special Features	Bitrate Control, Region of Interest
Other Image Processing	Configurable Exposure, White Balance, Sharpness
Image Orientation	Flip / Mirror / Corridor Mode
Analogue Output	1 (Installation only) CVBS 1.0V p-p (75Ω), 4:3 aspect ratio

Audio	
Audio Streaming	Two way
Audio Compression	G.711 u-law 8KHz, AAC-LC 48Kbps at 8KHz
Audio input	Supply voltage : 3VDC(3mA), Input impedance : 3K Ohm
Audio output	Line Out, MAX. Output Level : 1Vrms
Event	
Event Trigger	Motion Alarm, Temperature critical, DI, AI
Pre-Post Recording	Pre: 1~5 sec Post: 1~240 sec
Event Notification	FTP, E-mail, Alarm-out, SD card
Network	
Ethernet Standard	10 /100Base-T
IP	IPv4
Protocol	TCP/IP, UDP, AutoIP, RTP(UDP/TCP), RTSP, NTP, HTTP, HTTPS, SSL, DNS, DDNS, DHCP, FTP, SMTP, ICMP, SNMPv1/v2/v3(MIB-2), UPNP, RTCP, SSH, ONVIF
Security	HTTPS(SSL), IP filtering, 802.1x, Digest Authentication
ONVIF	ONVIF Profile S/T/M, CGI API
General	
Material	Aluminum Die-casting, White
External I/O Terminals	1 x Alarm In / 1 x Alarm Out
Language on webpage	English
Power Source	DC12V, PoE(IEEE 802.3af Class 3)
Power Consumption	DC12V Max 8.8W, PoE Max 11.1W
Operating Conditions	Humidity 10 ~ 90% RH (non-condensing) [DC12V / PoE] -30°C ~ 60°C (-22°F ~ 140°F)
Approvals	FCC, CE, IP67, IK10
NDAA	Compliant
Weight	0.97 kg
Dimensions (D x H)	197.5mm x 86mm
Edge Storage	
Storage	1x microSD / microSDHC / microSDXC (card not included)

Technical Specifications

Dimensions

(Unit: mm)



Accessories



BP01



BCO01



BJC12