

Technical Specifications

Soterix Systems 5MP Dome Camera

- 30fps at 5MP
- H.265, H.264 and MJPEG compression
- People & Vehicle Detection
- Remote zoom & focus lens (Auto-focus)
- Audio support
- Power over Ethernet (IEEE 802.3af)

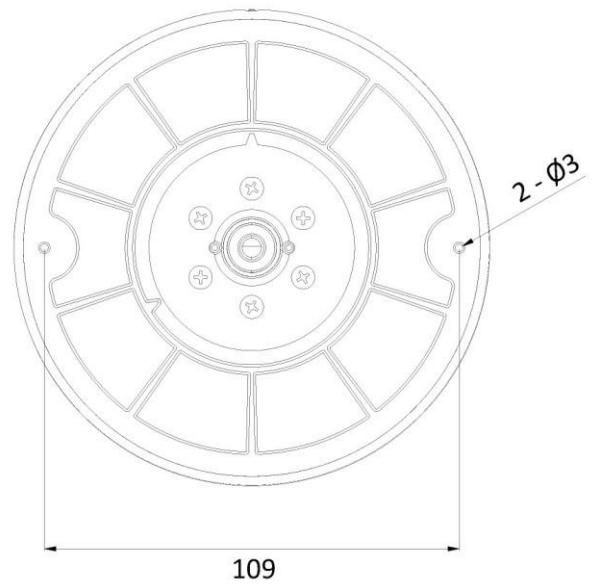
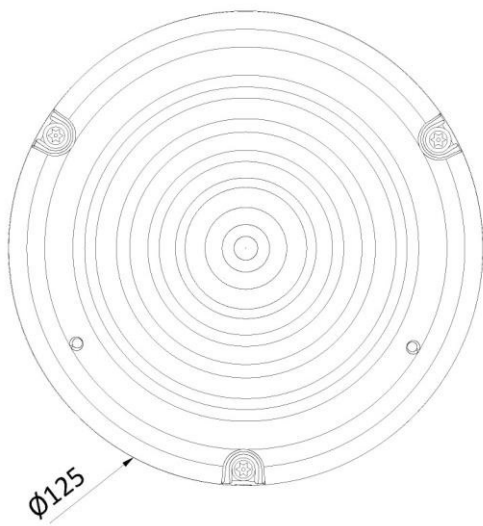
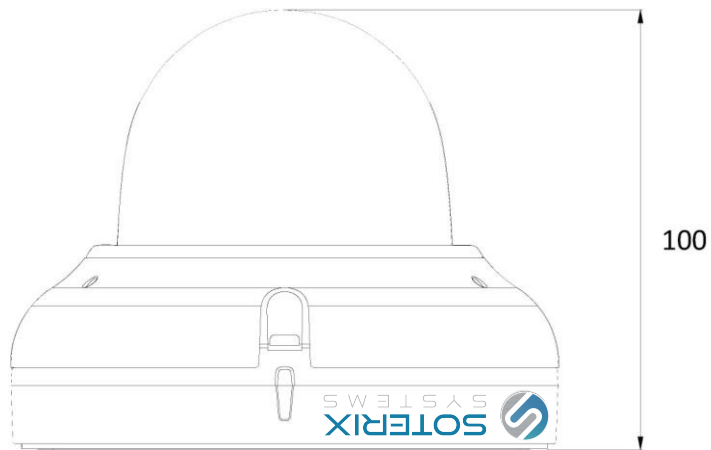


Camera		Audio	
Model	DC-5V-1	Audio Streaming	Two way
Image Sensor	SONY STARVIS2 1/2.8" 5.17M CMOS	Audio Compression	G.711 u-law 8KHz, AAC-LC 48Kbps at 8KHz
Effective Pixels	2592(H) x 1944(V)	Audio input	Built-in Mic, Supply voltage : 2.4VDC(3mA), Input impedance : 3K Ohm
Scanning System	Progressive scanning	Audio output	Line Out, MAX. Output Level : 1Vrms
AGC Control	Auto	Event	
IRIS Type	P-IRIS	Event Trigger	Motion Alarm, Temperature critical, DI, AI
Minimum Illumination	Color: 0.04 Lux / B/W : 0 Lux (IR LED On)	Pre-Post Recording	Pre: 1~5 sec Post: 1~240 sec
Lens	2.7 - 13.5 mm, F1.4	Event Notification	FTP, E-mail, Alarm-out, SD card
Angle of View	Horizontal: Approx. 98.3° (Wide) to 31.6° (Tele)	Network	
Shutter Time	Auto / Manual: 1/30 ~ 1/32,000, Anti-Flicker, Slow Shutter (1/2,1/3,1/5,1/6,1/7.5,1/10)	Ethernet Standard	10 /100Base-T
Day & Night	True Day & Night (Removable IR-cut filter)	IP	IPv4
Wide Dynamic Range	True WDR	Protocol	TCP/IP, UDP, AutoIP, RTP(UDP/TCP), RTSP, NTP, HTTP, HTTPS, SSL, DNS, DDNS, DHCP, FTP, SMTP, ICMP, SNMPv1/v2/v3(MIB-2), UPNP, RTCP, SSH, ONVIF
S/N Ratio	50 dB	Security	HTTPS(SSL), IP filtering, 802.1x, Digest Authentication
IR Illuminator		ONVIF	ONVIF Profile S/T/M, CGI API
IR LED	2 x High Power LED	General	
IR Working Distance	30m	Material	Aluminum Die-casting, White
Video		External I/O Terminals	1 x Alarm In / 1 x Alarm Out
Video Compression	H.265, H.264, MJPEG	Language on webpage	English
Profile	H.264 : MP / HP H.265 : MP	Power Source	DC12V, PoE(IEEE 802.3af)
Multiple Profile Streaming Performance	2592x1944/30 + 480p30 with H.264,H265 + MJPEG	Power Consumption	DC12V Max 8.5W, PoE Max 11W
Max Resolution	2592 x 1944	Operating Conditions	Humidity 10 ~ 90% RH (non-condensing) [DC12V / PoE] -30°C ~ 60°C (-22°F ~ 140°F)
Video Bit Rate	100Kbps ~ 25Mbps Multi-rate for Preview and Recording	Approvals	FCC, CE, IP67, IK10
Bitrate Control	Multi Streaming CBR/VBR (Controllable frame rate and Bandwidth)	NDAA	Compliant
Digital Noise Reduction	3D-DNR	Weight	0.63 kg
Privacy Mask	16 programmable zones	Dimensions (D x H)	Ø125 x 100 mm
Special Features	Bitrate Control, Region of Interest	Edge Storage	
Other Image Processing	Configurable Exposure, White Balance, Sharpness	Storage	1x microSD / microSDHC / microSDXC (card not included)
Image Orientation	Flip / Mirror / Corridor Mode		
Analogue Output	1 (Installation only) CVBS 1.0V p-p (75Ω), 4:3 aspect ratio		

Technical Specifications

Dimensions

(Unit: mm)



Accessories



BW10



BC10



BP01



BCO01