

## Technical Specifications

### Soterix Systems 5MP Dome Camera

- 30fps at 5MP
- H.265, H.264 and MJPEG compression
- People & Vehicle Detection
- Audio support
- Power over Ethernet (IEEE 802.3af)



CAMERA	
Model	DC-5F-1
Image Sensor	SONY STARVIS2 1/2.8" 5.17M CMOS
Effective Pixels	2592(H) x 1944(V)
Scanning System	Progressive scanning
AGC Control	Auto
IRIS Type	Auto Exposure
Minimum Illumination	Color: 0.08 Lux / B/W : 0 Lux (IR LED On)
Lens	2.8 mm( F2.2)
Angle of View	Horizontal: Approx. 97.7° Vertical: Approx. 73°
Shutter Time	Auto / Manual: 1/30 ~ 1/32,000, Anti-Flicker, Slow Shutter (1/2,1/3,1/5,1/6,1/7.5,1/10)
Day & Night	True Day & Night (Removable IR-cut filter)
Wide Dynamic Range	True WDR
S/N Ratio	50 dB

IR ILLUMINATOR	
IR LED	High Power IR LED x 2
IR Working Distance	30m

VIDEO	
Video Compression	H.265, H.264, MJPEG
Profile	H.264 : MP / HP H.265 : MP
Multiple Profile Streaming Performance	2592x1944/30 + 480p30 with H.264,H265 + MJPEG
Max Resolution	2592 x 1944
Video Bit Rate	100Kbps ~ 25Mbps Multi-rate for Preview and Recording
Bitrate Control	Multi Streaming CBR/VBR (Controllable frame rate and Bandwidth)
Digital Noise Reduction	3D-DNR
Privacy Mask	16 programmable zones
Special Features	Bitrate Control, Region of Interest
Other Image Processing	Configurable Exposure, White Balance, Sharpness
Image Orientation	Flip / Mirror / Corridor Mode
Analogue Output	-

AUDIO	
Audio Compression	G.711 u-law 8KHz, AAC-LC 48Kbps at 8KHz
Audio input	Built-in Mic, Supply voltage : 2.4VDC(3mA), Input impedance : 3K Ohm
Audio output	Line Out, MAX. Output Level : 1Vrms

EVENT	
Event Trigger	Motion Alarm, Temperature critical, DI, AI
Pre-Post Recording	Pre: 1~5 sec Post: 1~240 sec
Event Notification	FTP, E-mail, Alarm-out, SD card

NETWORK	
Ethernet Standard	10 /100Base-T
IP	IPv4
Protocol	TCP/IP, UDP, AutoIP, RTP(UDP/TCP), RTSP, NTP, HTTP, HTTPS, SSL, DNS, DDNS, DHCP, FTP, SMTP, ICMP, SNMPv1/v2/v3(MIB-2), UPNP, RTCP, SSH, ONVIF
Security	HTTPS(SSL), IP filtering, 802.1x, Digest Authentication
ONVIF	ONVIF Profile S/T/M, CGI API

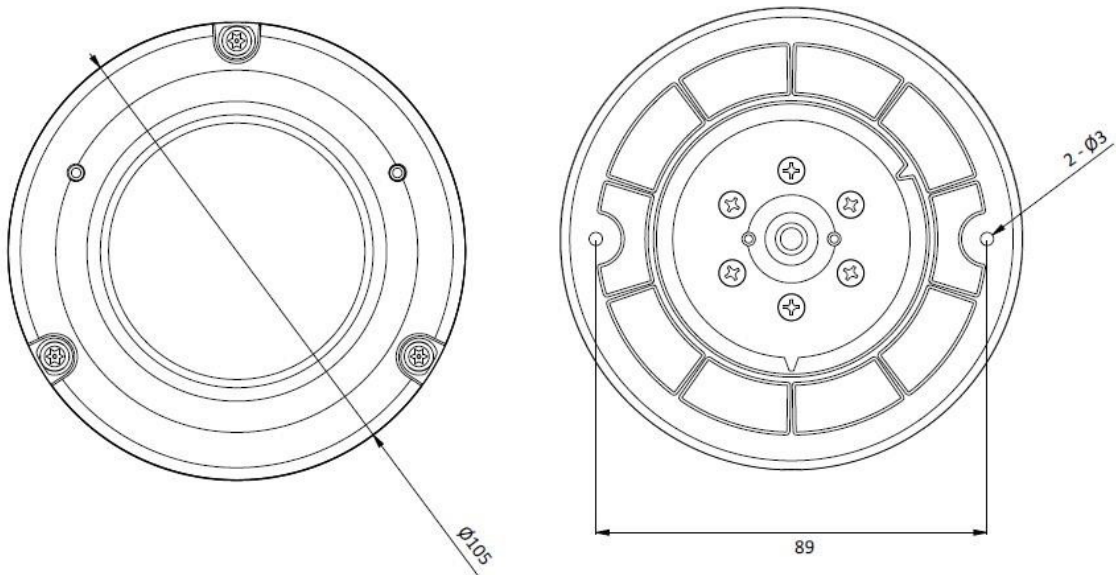
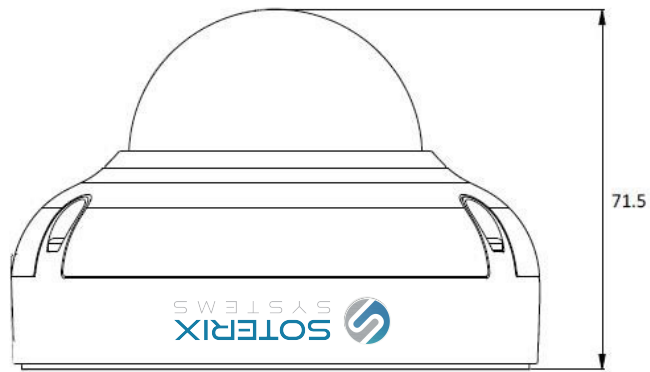
GENERAL	
Material	Aluminum Die-casting, White
<u>External I/O Terminals</u>	1 x Alarm In / 1 x Alarm Out
Language on webpage	English
Power Source	DC12V, PoE(IEEE 802.3af)
Power Consumption	DC12V Max 10.4W, PoE Max 12.5W
Operating Conditions	Humidity 10 ~ 90% RH (non-condensing) [DC12V / PoE] -30°C ~ 50°C (-22°F ~ 122°F)
Approvals	FCC, CE, IP67, IK10
NDAA	Compliant
Weight	0.44 kg
Dimensions (D x H)	Ø105mm x 72mm

EDGE STORAGE	
Storage	1x microSD / microSDHC / microSDXC (card not included)

Technical Specifications

Dimensions

(Unit: mm)



Accessories



**BW11**



**BC11**



**BP01**



**BCO01**