

S-Sight

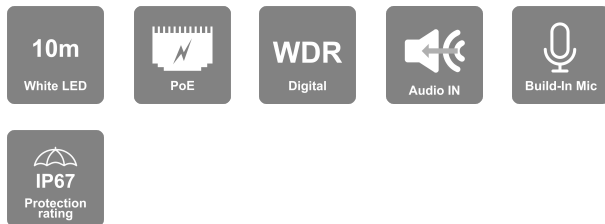
This series simplifies surveillance with high-quality images and enhanced night vision capabilities. Powered by AI (DDA™ Video Analytics) and equipped with Check Point protection for comprehensive monitoring. Choose from rainbow cameras, Motorized Varifocal options, and Anti-Vandal designs for high-security areas.



DV-340SR3N-28

4MP Rainbow Fixed Lens Dome/Turret Camera with White LED and DDA1 Analytics

Equipped with a 2.8mm lens, this 4MP Turret/Dome camera is designed for 24/7 color image. With its new Rainbow 3.0 technology this camera delivery expaptional colored image even in very low light scenario and also equiped with white LED for those pitch dark areas. This model complies with NDAA demands and ensures your device is cyber-protected round the clock with the integrated Check Point Quantum IoT Nano agent that provides an advanced threat prevention layer against the common attack vectors at runtime. Fitted with the new "Dual System" technology, this camera offers broad possibilities for Analytics, from Face Detection to the outstanding DDA Analytics (Detect, Distinguish, Alert). With various detection rules and triggers, the DV-340SR3N-28 camera is here to end false alarms even in dark scenarios..



MAIN FEATURES

- DV-340SR3N-28 4MP Rainbow Fixed Lens Dome/Turret Camera with White LED and DDA1 Analytics
- Sensor: 1/2.9" CMOS
- Resolution: 2688×1520 25/30FPS (4MP)
- Lens: 2.8mm (99°) 24/7 Full-Color Day Mode
- Illumination: 10m (2 High-Power White LEDs)
- Compression: H.265+ / H.264+ / H.265 / H.264 / MJPEG
- Quantum IoT Nano agent by Check Point™
- General Analytics: Camera Tampering, Item Monitoring
- Human & Vehicle Recognition: SMD, Sterile Area, Line Crossing, Area Entry, Area Exit, Object Counting (Line)
- AI (Face Detection): 10 Faces per frame
- Audio Exception
- Digital WDR, BLC, HLC, ROI
- SD Card: Event/Schedule Record (Up to 512GB)
- Built-in Microphone + Audio input
- ONVIF: Profile M/T/S/G
- Water Proof: IP67
- Weight: ~540g
- Power: DC12V/~450mA / PoE/~6.5W



<https://provision-isr.com>

SPECIFICATIONS

3rd Party Cyber Protection	
General	Quantum IoT Nano agent by Check Point™
Protection Methods	Shell injection protection, File Monitor, Import-Table Protection, Dynamic-Memory Protection
NDAA Compliant	
NDAA Compliant	Yes
Video	
Image Sensor	1/2.9" CMOS
Effective Pixels	2688×1520
Electronic Shutter	1/3s ~ 1/100000s
Day & Night	24/7 Full-Color Day Mode
Min. Illumination	0.0005 lux @F1.0, AGC ON; 0 lux with illumination on
Audio	
Audio compression	G.711A/G.711U
Communication	One-Way Audio
Image	
Image Settings	AWB, Sharpness, Saturation, Brightness & Contrast Adjustable
Image Enhancement	Digital WDR, BLC, HLC, ROI
Noise Reduction	3D-DNR
Image Orientation	Mirror/Flip, Corridor Mode
Privacy Zone	Yes
Events and Analytics	
Analytics	General Analytics: Camera Tampering, Item Monitoring Human & Vehicle Recognition: SMD, Sterile Area, Line Crossing, Area Entry, Area Exit, Object Counting (Line) AI (Face Detection): 10 Faces per frame Audio Exception
Motion Detection	Yes
Compression	

Resolution	4MP (2688x1520) / 4MP (2560x1440) / 2MP (1920x1080) / 1MP (1280x720) / D1 (704x576) / VGA/ 640x360/QVGA (480x240) / CIF (352x288)
Frame Rate	1-25/30FPS
Video Compression	H.265+/ H.264+ / H.265 / H.264 / MJPEG**
Multi-Stream	Master Stream: 4MP (2688x1520) / 4MP (2560x1440) / 2MP (1920x1080) (1~30fps) Substream: 1MP (1280x720) / D1 (704x576) / VGA/ 640x360/QVGA (480x240) / CIF (352x288) Third Stream: 1MP (1280x720) / D1 (704x576) / VGA/ 640x360/QVGA (480x240) / CIF (352x288) (1~30fps)
Bit Rate	32Kbps ~ 7Mbps@H.265 / 128Kbps ~ 8Mbps@H.264
Encode Mode	VBR/CBR
Image Quality	Five levels under VBR; Free adjustment under CBR

Lens	
Lens (Field of View)	2.8mm (99°)
Iris	Fixed Iris
Lens Mount	M12 Mount
Detect	61m(200ft)
Recognize	12m(40ft)
Identify	6m(20ft)

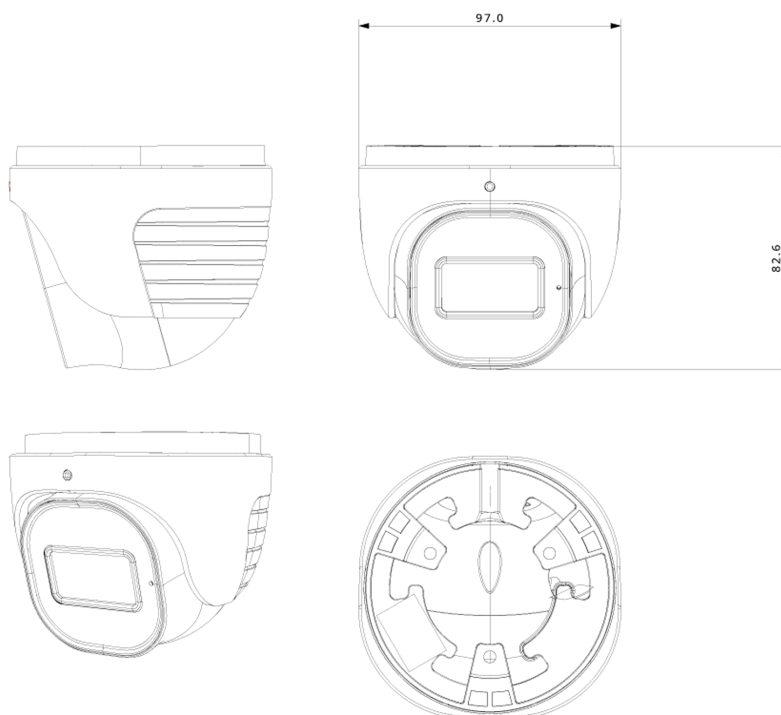
Network	
User Access	Supports simultaneous monitoring of up to 10 users with multi-stream real-time transmission
Network Protocol	IPv4, IPv6, TCP, UDP, DHCP, NTP, DDNS, SNMP, 802.1X, RTSP, RTMP, Multicast, UPnP, Email, FTP, HTTPS, QoS, P2P, HTTP POST, Auto Report
Remote Monitoring	IE Browsing (Plug-In required), Chrome/Edge/Safari/Firefox plug-in free browsing, Ossia VMS Software, Provision Cam2 Mobile App *P2P WEB connection always requires Plugin
Ethernet	100Mbps
ONVIF	Profile M/T/S/G

Connectivity	
Network	RJ45 (+PoE)
Audio Connectivity	Built-in Microphone + Audio input

Alarm	No
SD Card	Event/Schedule based Main/Substream recording (Up to 512GB)
Wiegand	N/A
Power	DC Socket
Analog Video Output	No

Housing	
PoE	Yes
Illumination	10m (2 High-Power White LEDs)
Power Supply	DC12V/~450mA / PoE/~6.5W
Protection Rate	Water Proof: IP67
Work Environment	-30°C~60°C, 10%~90% Humidity
Bracket	3-Axis Bracket
Dimensions	Ø 94.6mm × 82.8mm
Weight (gross)	~540g
Hard Reset Button	Yes

DIMENSIONS



ACCESSORIES

