

VANTAGE ROBOTIC HEAD

GO BEYOND A PTZ AND FUTURE PROOF YOUR PRODUCTION



/ A CHANGING MARKET

The continuing growth in content creation and video capture across a wide range of applications such as Broadcast, Corporate Institutions, Houses of Worship and Concert Halls, continues to drive an increased demand for robotic cameras that can be mounted and controlled in a variety of remote positions with minimal operator costs.

Until now, customers have turned to PTZ cameras as they have a small enough footprint to be located in the desired positions at an affordable price versus a full broadcast system camera and robotic head. However, for many customers there are too many limitations and compromises on image quality, low light capability and smoothness of on-air movement.

To meet the requirement for high-end broadcast quality shots and movement from a variety of studio, wall and ceiling mount positions, Vinten designed an innovative compact robotic head, Vantage. This enables customers to choose their preferred camera and lens solution to capture the image quality they require, and take advantage of the latest camera technologies available now, and in the future.

Vinten®, a Vitec Group brand, is a leading provider of manual and robotic camera support systems with over 80 registered patents and is renowned for innovation, engineering excellence and perfect control.

Vantage – Go beyond a PTZ and future proof your production.



/ INTRODUCING VANTAGE

Vantage is a broadcast quality compact robotic head that is compatible with a wide range of studio/ENG cameras, pro camcorders and lenses, enabling exceptional image quality and on-air movement.

Vantage offers:

1 Exceptional image quality; Vantage enables your preferred choice of camera and lens, giving you access to superior image quality with high resolution, low light capabilities, colour matching and choice of focal length. The high performance of the head movement delivers the smoothest on-air shots to elevate your production even further.

2 Easy installation and operation; The compact lightweight design is discreet with exceptionally low noise operation, and offers a powerful payload of 4.5 kg/ 10 lb, and the flexibility to mount on a tripod, a wall or a ceiling. Multiple Vantage heads and fusion robotics, as well as various PTZ cameras, can all be controlled from a single Vinten control platform enabling you to easily and creatively utilise shots from multiple cameras.

3 Future proofed investment; As your production requirements change over time, simply swap or upgrade your camera or lens to take advantage of the latest technologies or shooting styles, and expand the functionality of the control system through additional licensed features as you need them.



/ TYPICAL APPLICATIONS

Vantage can be deployed in a wide variety of broadcast environments.

Broadcast Studio – Vantage enables you to quickly add another compact robotic head to your existing installation with accurate colour reproduction, for example as a single point of view camera in the ceiling. And as studios are becoming more versatile in their layout, or alternative spaces used, such as regional bureaus, then Vantage offers a flexible and affordable solution, which fits into your IP workflow.

- + Easily added to existing Vinten robotic installations
- + Supports your existing studio/ENG cameras / lenses
- + VR/AR
- + Works with industry leading playout systems



Parliament and Legislative – Vantage offers the opportunity to discreetly position compact robotic heads which have high repeatability and accuracy of movement to consistently capture the action.

- + Discrete and quiet
- + Replaces the need for camera operators in a politically sensitive environment
- + Allows multiple positions in a cost effective manner
- + Flexibility over positioning of camera and head with a wide choice of lens



House of Worship – Vantage gives you easy access to the world of robotics from a leading provider. Increase your audience participation and figures with high quality broadcast production enabled by Vantage and our control platforms, all within budget. For instance you can quickly install four heads at both wall or ceiling positions with the latest cameras, which function in low light, with long focal length lenses – perfect for dimly lit venues and capturing the action from a distance. And with μ VRC (Micro VRC) discover how you can easily control the heads via the touchscreen panel or intuitive hand control joystick

- + Choice of camera ensures high image quality even in challenging low light situations
- + Easily integrate with any existing broadcast PTZs already installed
- + A mixture of short and long focal length lenses allow for creative flexibility - from tight head shots, to super wide to capture the entire congregation



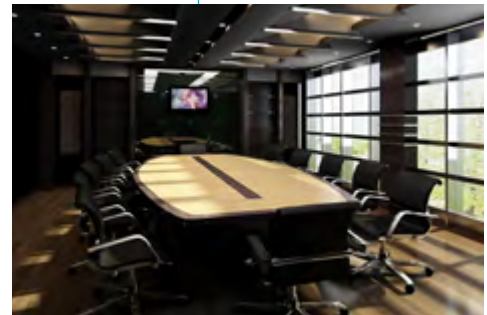
Concert Halls – Vantage is compact, unobtrusive, and quiet – with smooth motion control – perfect for concert halls. With the combination of high image quality, virtually silent movement, and zooming functionality you can discreetly capture all the detail of the event, as well as audience shots.

- + Cameras can be located in a variety of positions to ensure a unique viewpoint
- + Stealth mode i.e. all LEDs can be configured to be turned off
- + Easy to create repeatable 'signature' shots e.g panning across an entire orchestra, panning from one lead to another, and all live on-air



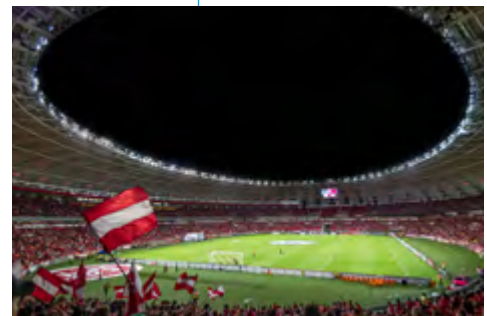
Corporate and Educational – Vantage can be used for various forms of video communication such as corporate training or educational purposes. CEO presentations or lecturers can be recorded remotely and then streamed across the globe.

- + Video conferencing across the globe
- + Can produce content in house thereby minimizing cost and enhancing on site capabilities



Outside Broadcast, Sports and Live Events – Vantage has continuous movement across all axes enabling perfect control when following the dynamic nature of outside broadcast, sport or live events. Cameras can be located in a variety of positions, compared to conventional shooting, to ensure a unique viewpoint.

- + Flexibility and ease of set up enables Vantage to be quickly installed and dismantled for multi-purpose use in OB situations
- + Flexibility of using camera across range of shooting requirements – option to use the camera both mounted on the robotic head or across a range of external shooting applications
- + Can be located in unique positions such as the tunnel



/ CASE STUDY

Discover how Blaze Streaming Media utilised Vantage to exclusively broadcast to a live audience.



/ Watch Video

/ Blaze Streaming Media

PETER SCHMIDT

DIRECTOR, PRODUCER AT BLAZE STREAMING MEDIA

"The Vantage Robotic Heads are very smooth, they're very quick to find the exact position that I am looking for."

"The μ VRC has made it really simple to have everything ready to go, I hit one button and go right to the shot I am looking for."



/ VANTAGE FEATURES

Vantage enables you to choose the best camera and lens for your application without any compromise in image quality or movement.

IMAGE QUALITY



Flexibility of camera – supports a wide range of pro-video camcorders * giving you the opportunity to explore the latest innovations and technology in camera design to utilise large format sensors to achieve the optimum image resolution and low light capabilities. Achieve stunning broadcast productions in 4K in low light environments.



Choice of lens – supports servo lenses which are easy to use or alternatively manual lenses using the bolt on lens drive accessory, enabling a wide range of focal lengths and positioning of the head, and enhancing the image quality.



Colour matching – accurately match colours across your cameras to output consistent colour matched productions.



Continuous variable speed control – provides full synchronisation of all movements over all axes, to ensure smooth on-air quality shots to enhance your production values.



/ OPERATION

Compact and lightweight – at 2.2 kg with near silent operation, this innovative design discreetly fits within any environment. It has a payload of 4.5kg / 10lb.

Installation – There is an integrated level bubble for ease of set-up with flexible options to mount on a tripod, pedestal, wall or ceiling.



/ CONNECTIVITY

Connection ports (L - R)

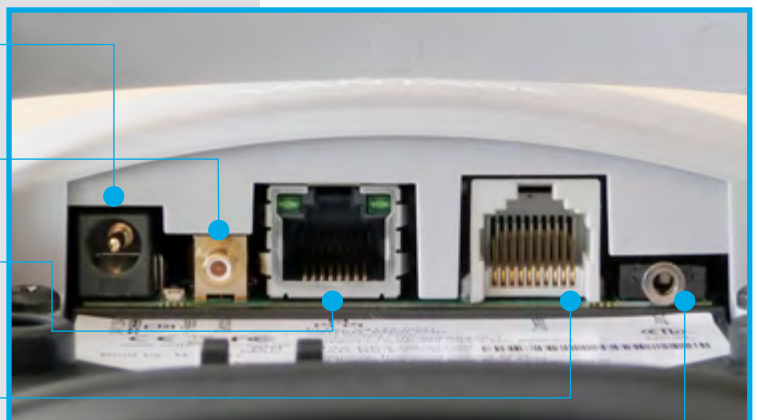
Power – Low voltage (24v) allows operation from either the supplied AC/DC adapter, 24V distribution unit or battery

Genlock – Enables VR/ AR capabilities

Ethernet – Standard Ethernet connectivity allows direct connection to any Ethernet infrastructure

RS232/422 port – Allows serial connection to a wide range of range of cameras and lenses

LANC port – Enables control of supported LANC devices to access camera functionality such as auto focus, auto iris, menu, zoom, focus and iris.



/ CONTROL OPTIONS

There is a choice of two control systems - μ VRC and HD-VRC - depending on the number of heads being controlled and the level of functionality required.

/ μ VRC (MICRO VRC) CONTROLLER

μ VRC consists of VRC software, an intuitive touch screen control surface with built in PC, and a responsive and compact USB joystick control unit.

This easy-to-configure modular version of the full HD-VRC software provides access to various features such as camera select, pre-set shots, essential shading, video switcher integration that easily connects with third-party switchers, and more. Users can extend the standard functionality through additional software features and add-ons, such as third-party PTZ integration.

The μ VRC is the perfect companion to the Vantage compact robotic head allowing users to control multiple units for various shooting angles. It's also suited to customers who need control over a combination of both Vantage heads and third-party PTZs.



KEY FEATURES

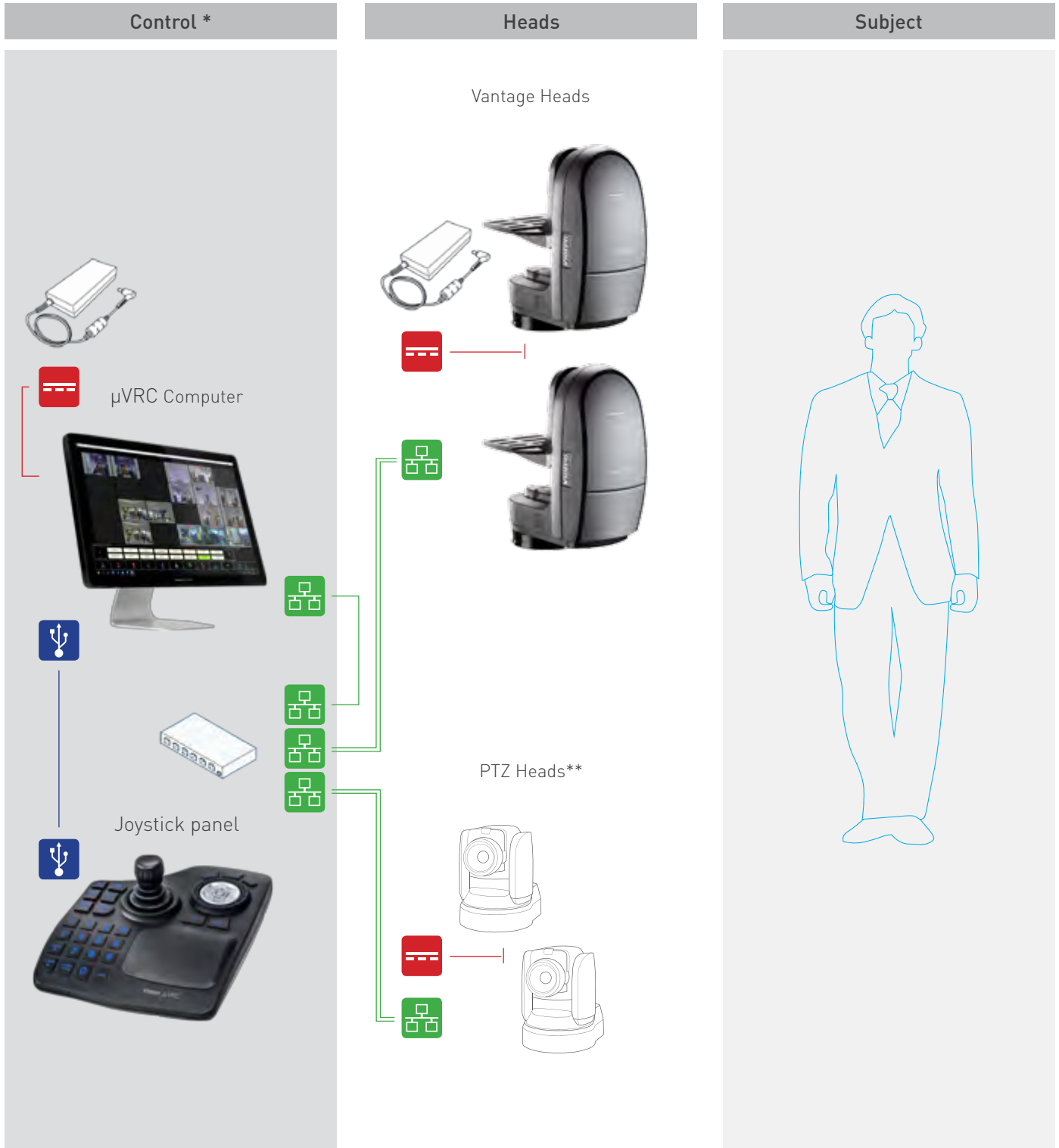
- **Enhanced Functionality**
Access to camera select, pre-set shots, essential shading, playback and more, depending on type of camera
- **Adaptable Solution**
Option to expand functionality through licenced add-on modules based on specific needs
- **Cost-Effective**
Superior broadcast-quality motion control at a price that suits your budget

/ HD-VRC CONTROLLER

If users require control of five or more heads, have studios with a significant number of robotic systems, or need control over all axes (pan, tilt, zoom, focus, elevation, and XY), then the complete HD-VRC control system provides multi-user, multi-facility control of pedestals, heads, elevation units and tracks.



/ SYSTEM DIAGRAM



CONNECTIONS

Power



USB



Ethernet



Notes

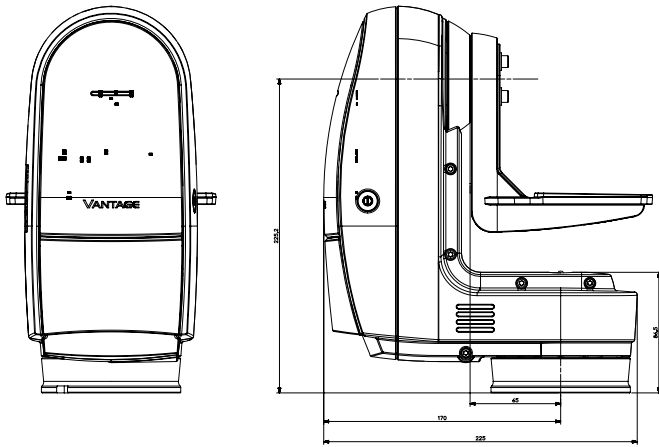
*HD-VRC can be utilised instead of μ VRC

** To connect PTZ heads, an additional license is required

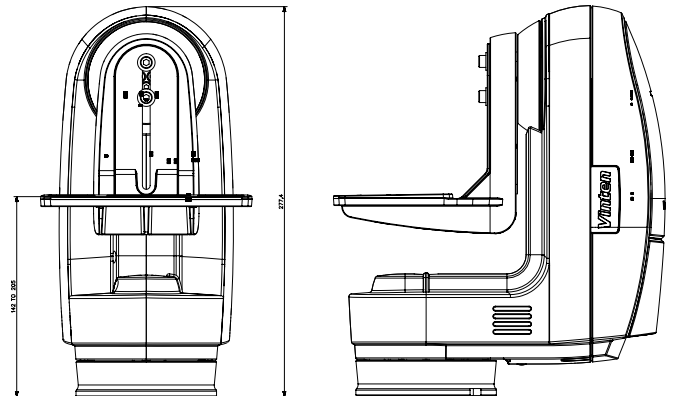
/ TECHNICAL SPECS

/ VANTAGE COMPACT ROBOTIC HEAD

Line drawing 1

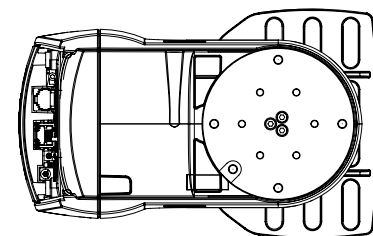
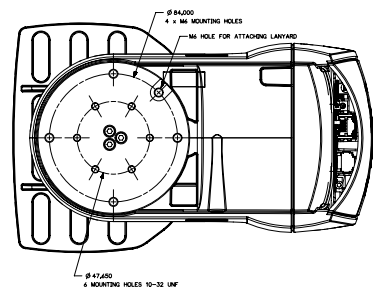


Line drawing 2



/ PRODUCT SPECIFICATIONS

Vantage	V4142-001
Head Weight	2.2 kg / 4.85 lbs
Height	400 mm
Length	300 mm
Width	150 mm
Payload	4.5 kg / 10 lbs
Pan Range	355 deg
Tilt Range	90 deg
Base Fixing	Flat or option to add bowl adapter
Power	24 Watts
Op Temp	+5 to 40 deg
Speed	Min. 0.2 deg / sec to Max. 60 deg/sec
Interface	RS232/422, Ethernet, LANC, Genlock
In the Box	Vantage Head, Camera Cradle, User Guide, External Power Supply



/ OPTIONAL ACCESSORIES

Part N°	Description
V4063-0010	µVRC (Control PC with screen, USB joystick, user guide, external power supply)
V4063-0013	HD-VRC Control (rack mounted computer with HD-SDI thumbnail capture card and VRC software)
V4142-1007	Clamp Knob and Bowl Assembly
V4142-1008	Wall Mount Bracket
V4142-1009	Ceiling Mount Bracket
C4142-1017	Offset Cradle, for greater camera/lens mounting flexibility
V4096-1013	Vinten 4-bolt adaptor with Quickfix® groove
AM-VMA-105	Vinten 4-bolt fixing adaptor
196-728-0044	Vinten 4-bolt hi-hat adaptor
3819-3	Vinten Tripod 2-stage ENG 75mm AL PL
VANTAGECARE	Enhanced support for µVRC and up to four Vantage Heads

/ VANTAGECARE

/ OUR FOCUS IS TO SUPPORT YOU

Our global service team has extensive experience providing product support for leading broadcasters. We understand that uptime is crucial for your business and are committed to ensuring your success.

The VantageCare Service Agreement has been designed to keep your system performing at a high level and to allow for rapid recovery when an unexpected failure occurs.

VantageCare allows you to choose the support for the licenses and product that you are operating as part of your Vantage and μ VRC System.

When you are covered by a VantageCare Service agreement, you can rest easy that when you need service, your issue will receive priority attention whether it's via our technical support line, remote connection or advanced replacement.

/ KEY FEATURES

- + Extended hours remote support
- + Software updates included
- + Minimal downtime with advance replacement of items covered under the agreement
- + Discounts for adding support to additional licenses purchased during plan year
- + Remote training sessions by arrangement





Visit www.vinten.com for the latest news, videos and user stories.
Become a fan on Facebook www.facebook.com/vintenlive

Changes in Product Specification

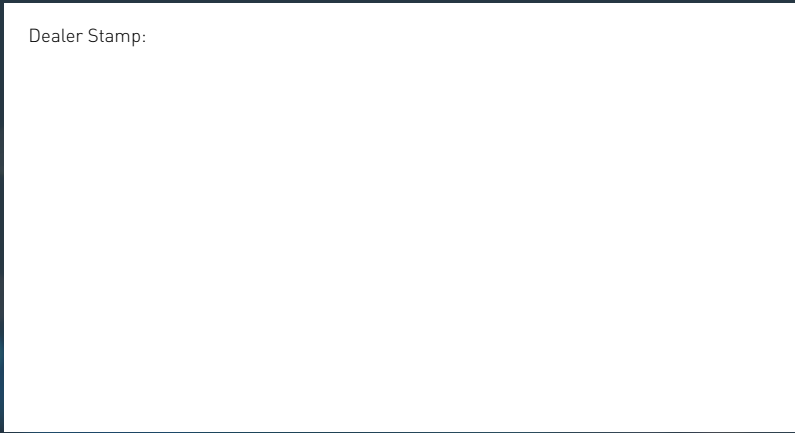
Vinten reserve the right to alter specifications or change materials where absolutely necessary. All sizes shown throughout this brochure are approximate and colours shown are as accurate as modern reproduction methods will allow. No liability can be accepted for any variation.

© 2017 The Vitec Group plc

@Vinten, Vision, Vector, Quickfix & Quickfit are registered trademarks of The Vitec Group plc.

QUALITY SYSTEMS APPROVED TO ISO 9001: 2008 Certificate No: Q09508

Dealer Stamp:



CONTACT

Address

Americas

Vitec Videocom Inc
16 Progress Drive
Shelton
CT 06484
United States

Phone & Fax

Phone: +44 (0)20 8332 4600

Online

Email: salesupport_USA@vitecgroup.com

EMEA

Vitec Videocom Ltd
William Vinten Building
Bury St Edmunds
Suffolk IP33 3TB
United Kingdom

Phone +44 (0)1284 776784

Email: sales_EMEA@vitecgroup.com

Japan

Vitec Videocom KK
Shibakoen 3-cyome Bldg, 1F
3-1-38 Shibakoen, Minato-ku,
Tokyo 105-0011
Japan

Phone: +81 (0)3 5777 8040

Email: salesupport_Japan@vitecgroup.com

Singapore

Vitec Videocom Pte Ltd
6 New Industrial Road,
#02-02, New Century,
Singapore 536199

Phone: +65 6297 5776

Email: salesupport_ASIA@vitecgroup.com

China

Room 706, Tower B, Derun Building, A
No. 3 YongAn Dongli, Jianwai Avenue,
Chaoyang District,
Beijing, P.R. China 100022

Phone: +86 (0)10 8528 8748 /
+86 (0)10 8528 8379

Email: vgcninfo@vitecgroup.com