

HyperDeck Extreme Control



HyperDeck Extreme Control adds traditional broadcast deck controls to HyperDeck Extreme 8K. It works like a traditional broadcast deck with a familiar layout. Control up to 8 decks via industry standard RS-422 control.

Connections

Deck Control Outputs

8 x RS-422

Reference Input

Tri-Sync or Black Burst.

Reference Output

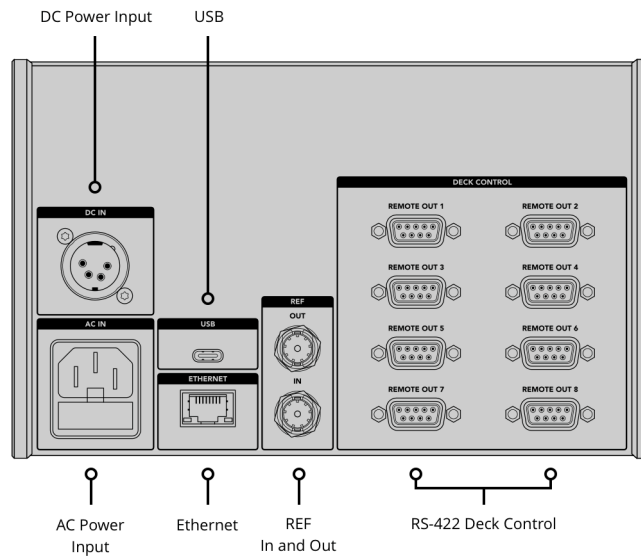
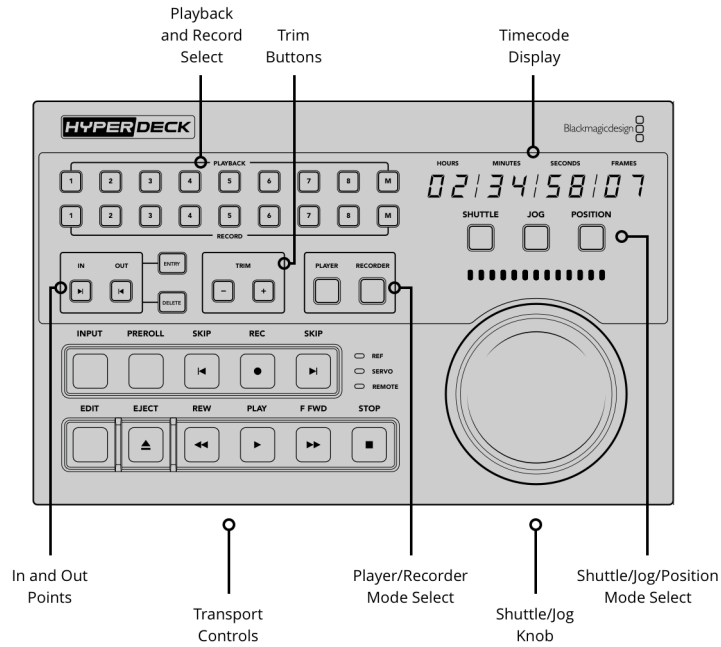
Follows reference input.

Ethernet

1Gb/s

Computer Interface

1 x USB-C for software updates.



Supported Protocols

Control Protocols

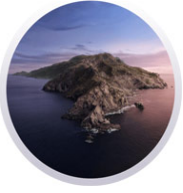
Sony

Software

Internal Software Upgrade

Loaded at system start,
or via Blackmagic HyperDeck Setup
using USB port.

Operating Systems



Mac 10.14 Mojave,
Mac 10.15 Catalina or later.



Windows 8.1 and 10.

Displays

8 digit, 7 segment LED timecode
display.

Power Requirements

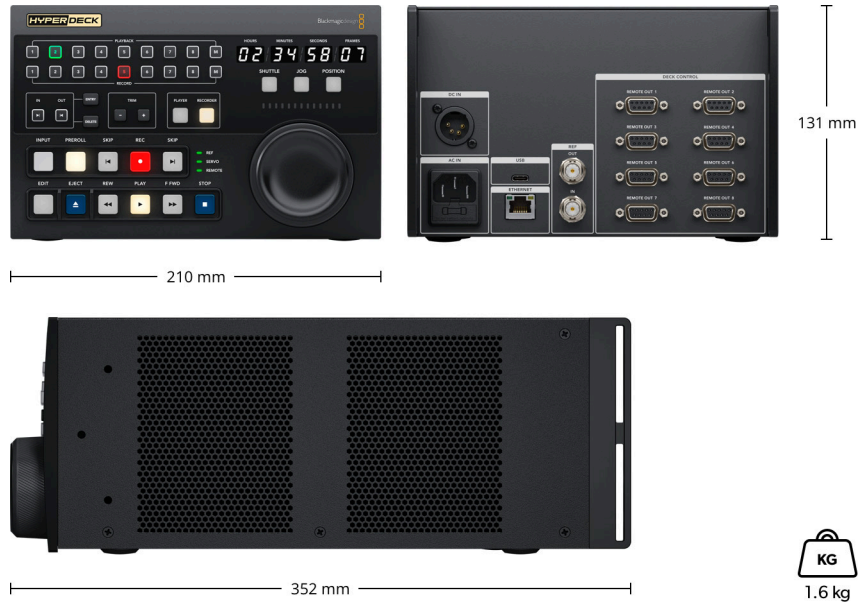
Power Supply

1 x Internal 100 - 240V AC.
1 x 4 pin XLR 12V DC IN for external
power or battery use.

Physical Installation

3 rack units height, half rack width.

Physical Specifications



Environmental Specifications

Operating Temperature:
0° to 40° C (32° to 104° F)

Storage Temperature:
-20° to 60° C (-4° to 113° F)

Relative Humidity:
0% to 90% non-condensing

What's Included

HyperDeck Extreme Control

SD card with user manual.

Warranty

12 Month Limited Manufacturer's
Warranty.

All items on this website are copyright Blackmagic Design Pty. Ltd. 2020, all rights reserved.
All trademarks are property of their respective owners. MSRP includes GST and excludes shipping costs.
This website uses remarketing services to advertise on third party websites to previous visitors to our site.
You can opt out at any time by changing cookie settings. [Privacy Policy](#)

Blackmagic Design Authorized Reseller