

# ATEM 2 M/E Broadcast Panel



**NZ\$35,609**

The incredible ATEM 2 M/E Broadcast Panel has the power for the most complex live broadcast events and it's perfect when you have the space for a large panel and need all the control at your fingertips. The ATEM 2 M/E Broadcast Panel features an amazing design that not only looks incredible, but perfectly positions all controls just where you need them for the ultimate creativity on complex multi layer live production. The ATEM 2 M/E Broadcast Panel connects via ethernet and includes loop thru for your media management computer.

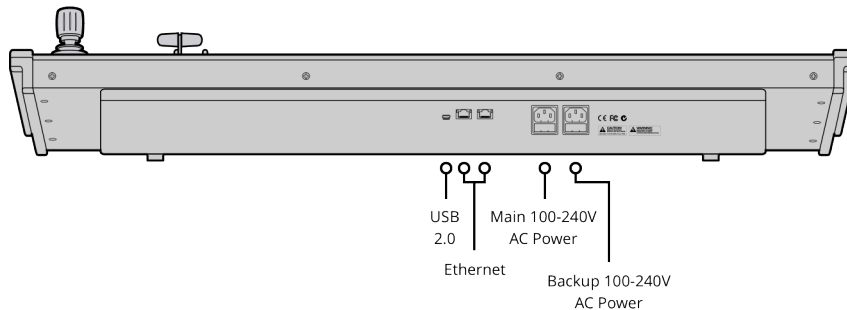
## Connections

### Ethernet

2 x 10/100/1000 BaseT with loop output for additional control panels or computers.

### Software Updates

1 x USB for firmware updates.



## Product Specifics

### Direct Cross Points

20

### Crosspoint Label

High Contrast RGB Bitmap.

### Power Status Indicators

4

### Shifted Cross Points

40

### Next Transition Selectors

BKG, Key 1 - Key 2 (per M/E).

### DSK Transition Selectors

Auto, Cut, Tie/Preview.

### Crosspoint Button Type

Tri-Color LED.

### On-Air Indicator

8

### Preview Transition

2

---

**Transition Rate Displays**

2

**Multi Control Buttons**

6

**3 Axis Joystick**

1

**LED Menu Display**

2

**Destination Bus**

2

**Numeric Keypad**

1

**Menu Control**

24 x LCD Bitmap Buttons.

**Source Select Bus**

2

**Dedicated Macro Buttons**

10

**Fader Bar**

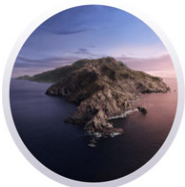
2

---

**Software****Software Applications**

ATEM Software Control Panel.

---

**Operating Systems**Mac 10.14 Mojave,  
Mac 10.15 Catalina or later.

Windows 8.1 and 10.

---

**Power Requirements****Power Supply**

2 x Internal 100 - 240V AC.

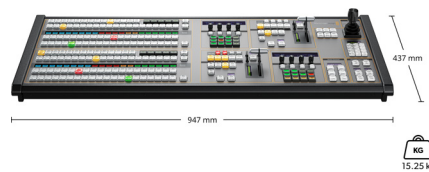
**Redundant Power**

Yes

**Power Usage**

70W

---

**Physical Specifications**

---

**Environmental Specifications****Operating Temperature**

0° to 40° C (32° to 104° F)

**Storage Temperature**

-20° to 60° C (-4° to 140° F)

**Relative Humidity**

0% to 90% non-condensing

---

## What's Included

ATEM 2 M/E Broadcast Panel

---

## Warranty

12 Month Limited Manufacturer's Warranty

Warranty details can be found in the ATEM Switchers Operation Manual in the support page at [www.blackmagicdesign.com](http://www.blackmagicdesign.com)

All items on this website are copyright Blackmagic Design Pty. Ltd. 2020, all rights reserved.

All trademarks are property of their respective owners. MSRP includes GST and excludes shipping costs.

This website uses remarketing services to advertise on third party websites to previous visitors to our site.

You can opt out at any time by changing cookie settings. [Privacy Policy](#)

Blackmagic Design Authorized Reseller