
sachtler



System FSB 8 T FT MS

Sachtler System FSB 8 Touch & Go carbon fibre with Fluid Head, flowtech® Tripod, Mid-Level Spreader & Bag

SKU: 0765

Projects that involve the use of camcorders, modern film cameras and DSLR set-ups, often call for lots of switching between tripod and shoulder. The Sachtler FSB 8 T Fluid Head makes switching as simple as a single click with its Touch & Go technology. This quick release plate has a sliding range of 60 mm, while a 10-step counterbalance means you are always perfectly balanced.

With a weight of 2.7 kg and supporting a payload of up to 10 kg, the Sachtler FSB 8 T Fluid Head is a durable and reliable addition to your gear. Frictionless leak-proof damping with five levels of drag gives you smooth, jerk and vibration free movement at all times. If you need fast pans, you can completely disengage drag.

Being able to quickly set up and level a shot in any environment and terrain gives you more time to be creative and get the perfect shot. The Sachtler flowtech® 75 MS carbon fibre tripod's mid-level spreader and rubber feet mean that each leg extends or retracts independently of the other two. Each leg has an individual clamping mechanism so that you can loosen and lock them from a single location near the 75 mm bowl. This deployment speed is paired with an easy to use ergonomic, lightweight design that can follow into the most intense environments.

The carbon fibre design of the Sachtler flowtech® 75 MS only weighs 3.5 kg, but is capable of supporting up to 20 kg. The design also provides a high level of torsional stability so that you can be sure your pans will always stay completely level with no twisting. When you've got the perfect shot, the legs can be folded up while remaining attached, where a magnetic lock holds them in place until you release them again.

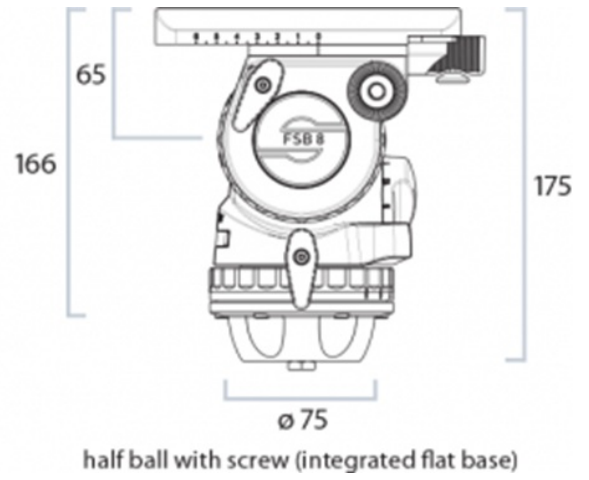
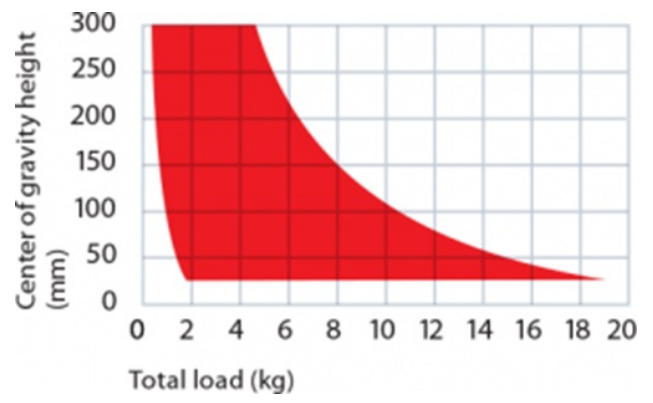
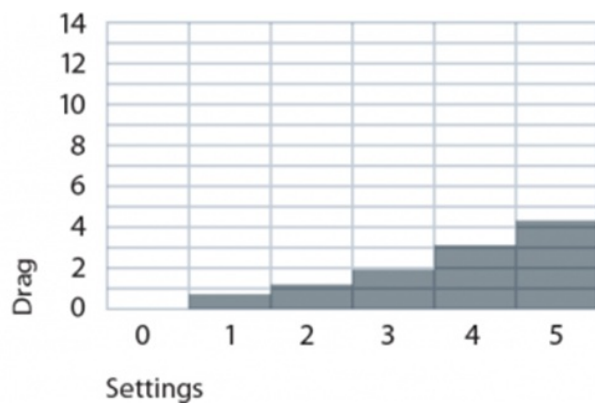
Technical specifications

Feature	Metric	Imperial
Range	FSB	FSB
Pan bar count	1	1
Payload	1 to 10 kg	2.20 to 22 lb
Bowl size	75 mm	75 mm
Spreader type	Mid-level spreader	Mid-level spreader
Material	Carbon Fibre	Carbon Fibre
Transport length	850 mm	33.15 in
Tripod stages	2	2
Height with spreader	0.78 to 1.73 m	2.56 to 5.67 ft
Height without spreader	0.41 to 1.69 m	1.34 to 5.54 ft
Weight	6.20 kg	13.64 lb
Temperature range	-40 to 60 °C	-40 to 140 °F
Tilt range	90° to -75°	90° to -75°
Sliding range	60 mm	2.34 in
Interface Compatibility	Touch & Go	Touch & Go
Counterbalance	10 counterbalance steps	10 counterbalance steps
Drag	5 + 0 horizontal and vertical grades of drag	5 + 0 horizontal and vertical grades of drag

What's in the box?

- **Carry handle flowtech®**
- **FSB 8 T**
- **Tripod flowtech® 75 MS**
- **Padded bag flowtech®75**

Data sheets



half ball with screw (integrated flat base)