

The high-definition standard ENG lens HA18x7.6BERM/BERD



**DIGI
POWER**

With a long focal length, 137 mm (274 mm with 2x Extender), and a wide angle of view (64° 30') at 7.6 mm, the HA18x7.6 is the HD standard lens for all High Definition broadcast news and field production applications in 16:9 image format.

The HA18x7.6 is, of course, equipped with internal focusing and designed using the exclusive Fujinon

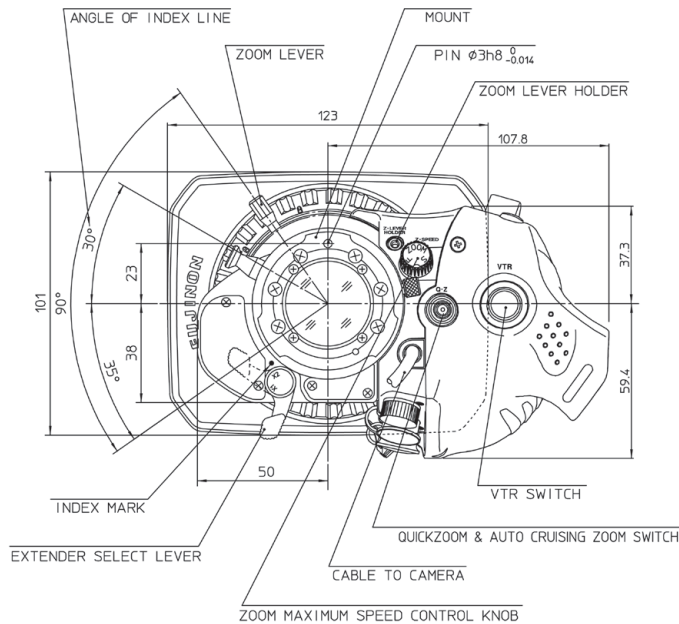
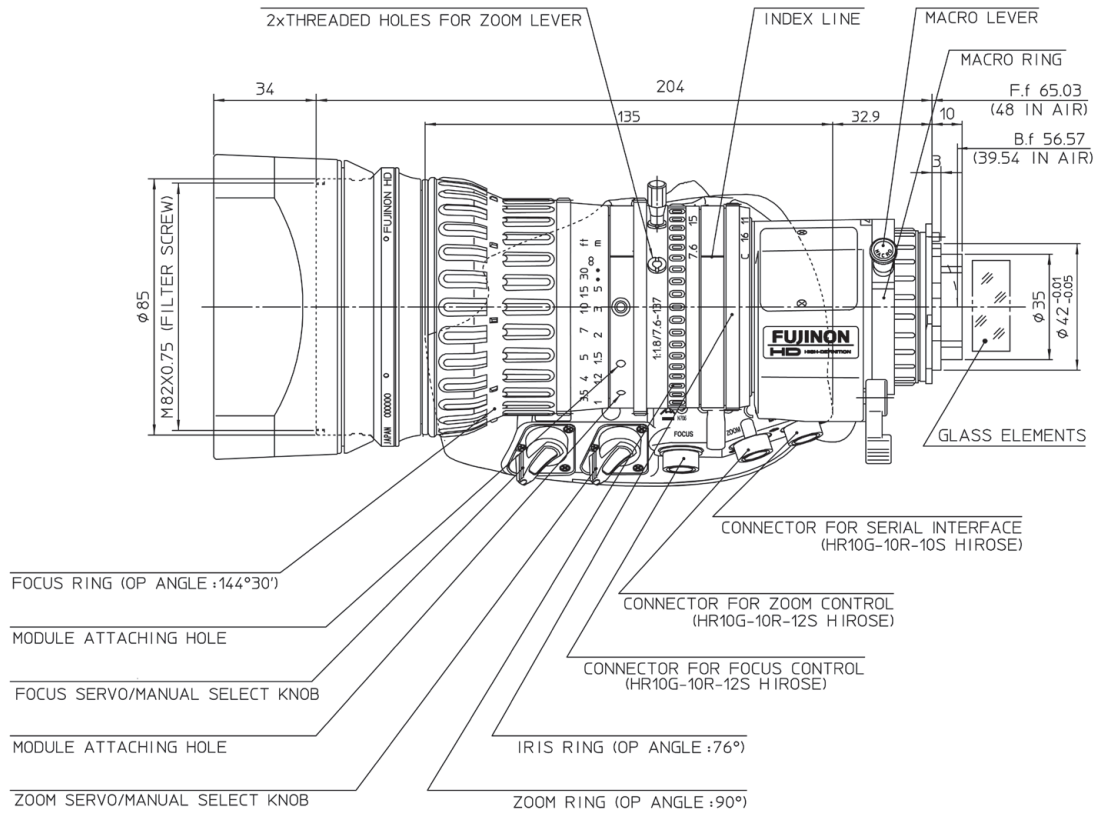
GO-Technology. GO-Technology which optimizes all optical features in the composition of the lens, resulting in a 20 – 30% improvement in all optical features compared to conventional lenses. The latest glass materials with high refractive indexes and ultra-low dispersion are used to achieve these objectives.

Excellent ramping characteristics combined with minimal ghosting and flare, reduced pumping, minimized longitudinal and lateral chromatic aberrations and high MTF values provide for a standard lens which is the match for applications. The HA18x7.6 offers all the benefits of design and manufacturing, so that production flexibility is almost unlimited.

The Fujinon HA18x7.6 – the High Definition standard lens with a versatile performance and compact dimensions. Fujinon. To see more is to know more.

Specifications/Lens		HA18x7.6BERM/BERD	
Zoom ratio		18x	
Extender		2x	
Focal length	w/o extender	7.6–137 mm	
Focal length	w/ extender	15.2–274 mm	
Maximum relative aperture		F1.8 (7.6–103 mm) / F2.4 (137 mm)	
Angular field of view	16:9 Aspect ratio (9.59 x 5.39 mm)	(1x) 7.6 mm: 64°30' x 39°03' (1x) 137 mm: 4°01' x 2°15'	(2x) 15.2 mm: 35°01' x 20°07' (2x) 274 mm: 2°00' x 1°08'
Minimum Object Distance M.O.D.		0.6 m	
Object dimensions at M.O.D.	16:9 Aspect ratio (9.59 x 5.39 mm)	(1x) 7.6 mm: 738 x 415 mm (1x) 137 mm: 41 x 23 mm	(2x) 15.2 mm: 362 x 204 mm (2x) 274 mm: 21 x 12 mm
Dimensions		Ø 85 x 204 mm	
Macro		Yes	
Filter thread		M82 x 0.75	
Weight (without lens hood)		1.58 kg / 1.65 kg	
Operating system		ERM / ERD	
Features ²		IF QZ ZL*	
Options ²		QF Vformat WE VC	

*Controlled by Digital zoom demand ² 2nd page: legend for logos



Accessories HA18x7.6

Filters

- ▶ EFL-82 UV UV
- ▶ EFL-82 SL Skylight
- ▶ EFL-82 N2 Neutral density 2
- ▶ EFL-82 N4 Neutral density 4
- ▶ EFL-82 N8 Neutral density 8
- ▶ EFL-82 CS Cross screen
- ▶ EFL-82 SN Snow cross
- ▶ EFL-82 SU Sunny cross
- ▶ EFL-82 SF Soft focus
- ▶ EFL-82 PL Polarizing

Converters

- ▶ Front-mounted, zooming possible, no loss in F-number of master lens
- ▶ TCV-H85 Tele converter (1.5x)
- ▶ WCV-H85 Wide converter (0.8x)

Attachments

- ▶ Front-mounted, zooming not possible, no loss in F-number of master lens, use at wide-angle position

- ▶ WAT-H85 Wide attachment (0.7x)
- ▶ F-ATH85 Fish-Eye attachment (0.57x)
- ▶ HCL-H5085 Close-up lens (0.5 m)

Annotations: For more detailed information and for additional accessories, please refer to the general catalogue.

IF Inner Focus **QF** QuickFrame **QZ** QuickZoom **WE** Without Extender
VC Virtual Connector **Vformat** Variable Format **ZL** Zoom Limit

FUJIFILM

FUJIFILM Europe GmbH

Heesenstr. 31, 40549 Düsseldorf, Germany
 Tel.: +49 211-50 89 0, Fax: +49 211-50 89 344
 www.fujifilm.eu