

PLA150 SERIES LINEAR ACTUATOR



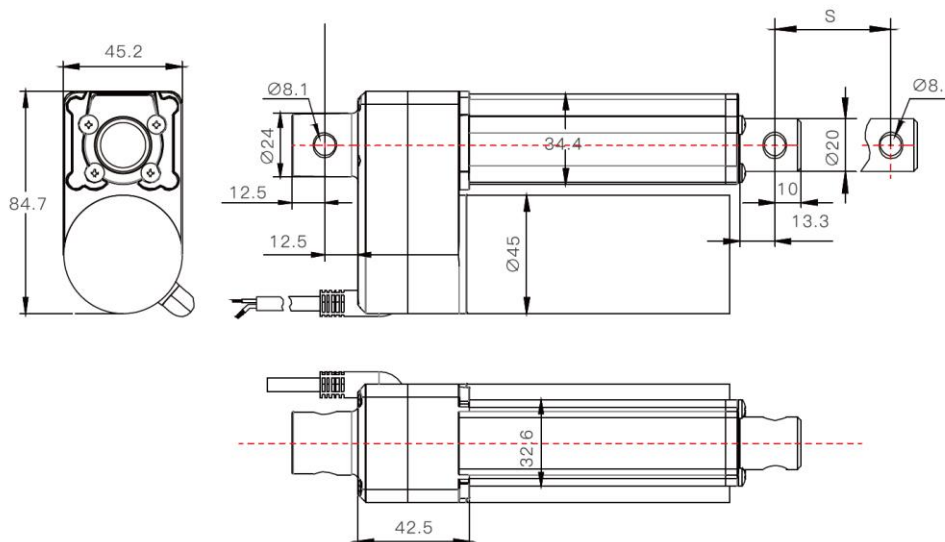
General Features

Voltage	12V DC, 24V DC, 36V, 48V DC
Maximum Load	3000N
The fastest speed in full load	60mm/s(150N)
Minimum installation size	S+125mm(S < 300mm)
	S+140mm(S > 300mm)
Colour	Silver gray or black
Noise	≤45 db
Safety and regulation certification	ISO9001-2008, CE, ROHS
Working temperature range	+45°C----- -20°C
Other options	Hall sensor, overcurrent protector

Load and speed

Code	Rated load		Self locking force N (under the condition of thrust)	Rated load Current (A) (12VDC)	Rated load Current (A) (24VDC)	Output velocity no-load (24VDC) mm/s	Full load of rated load (24VDC) mm/s
	Thrust N	Pull N					
A	3000	2400	3000	5.9	3.9	6	3.2
B	1600	1120	1600	7.5	5	12	6.5
C	1500	1050	1000	7.7	5.1	17	10.5
D	1300	910	500	7.7	5.1	24	8.5
E	1000	700	220	7.2	4.8	32	15

Drawing Standard Dimension (mm)



$$\text{Installation size(L)} = \text{stroke(s)} + 125$$