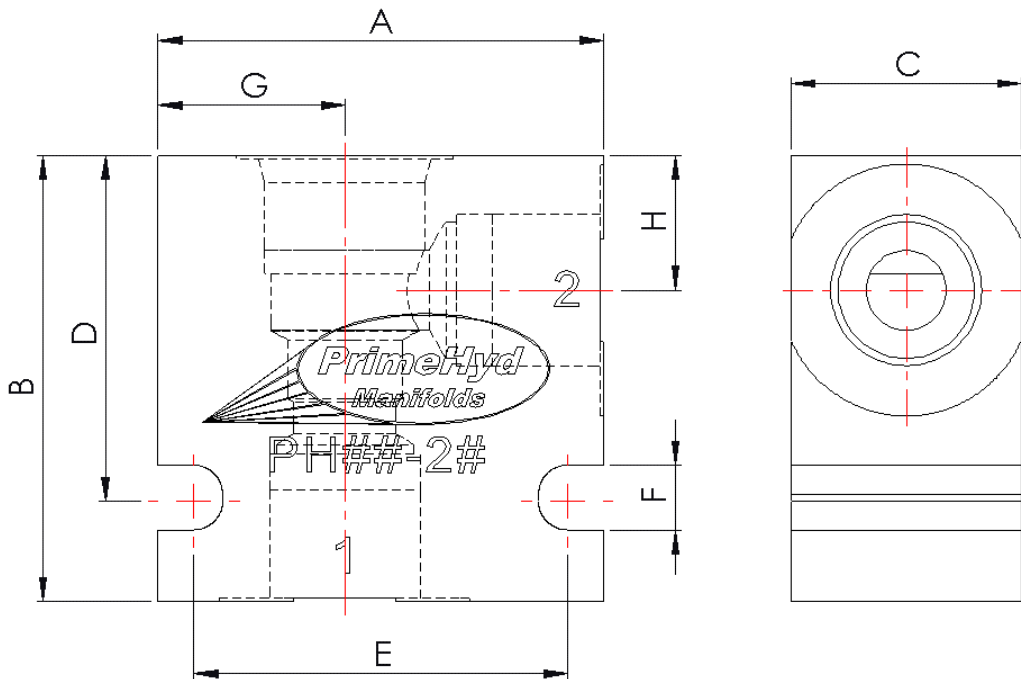




COMMON CAVITY HOUSINGS

2-WAY



ITEM CODE	CAVITY	PORT 1-2	A	B	C	D	E	F	G	H
PH08-2_	C08-2	3/8" BSPP	50	50	30	38	41	9	21	15
PH10-2_	C10-2	1/2" BSPP	62	62	32	48	53	9	26	26
PH12-2_	C12-2	3/4" BSPP	74	74	40	59	63	11	30	28.5
PH16-2_	C16-2	1" BSPP	84	80	48	62	73	11	34	25

ALL DIMENSIONS ARE IN mm U.O.S.

SUFFIX:

H = STEEL (65-45-12) – 350 Bar Max.

M = ALUMINIUM (6061-T6) – 210 Bar Max.

<http://www.primehyd.com.au>

sales@primehyd.com.au

Phone: +618 9248 4144

