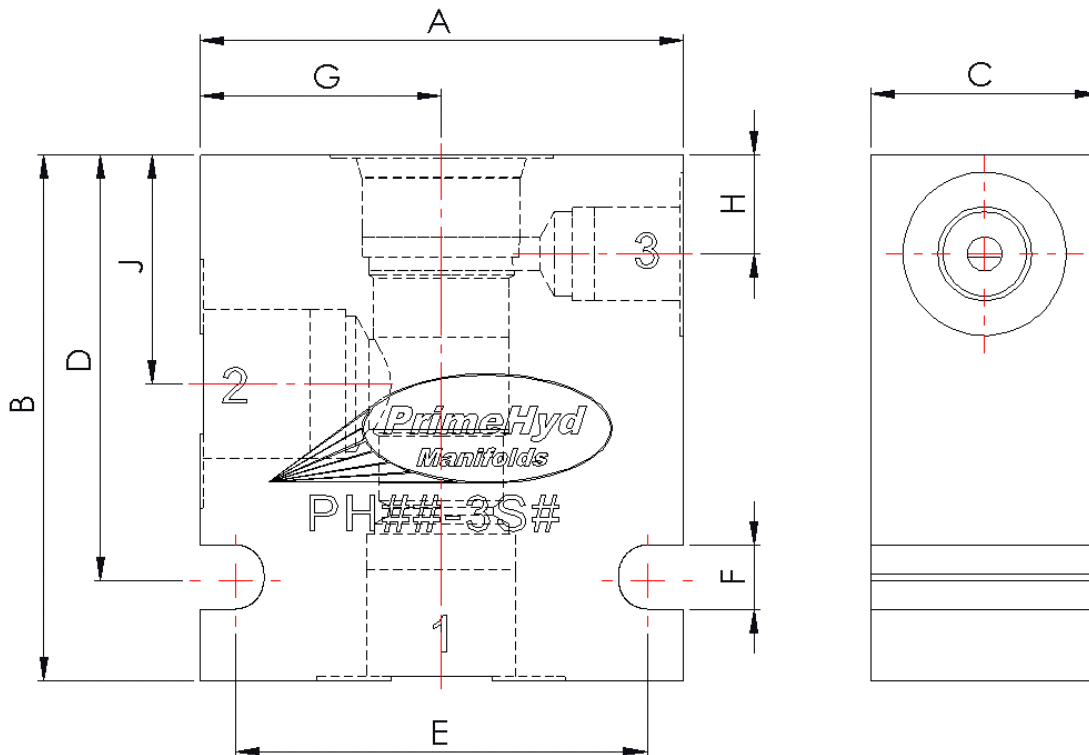




COMMON CAVITY HOUSINGS

3-WAY "SHORT"



ITEM CODE	CAVITY	PORT 1-2	PORT 3	A	B	C	D	E	F	G	H	J
PH08-3S_	C08-3S	3/8" BSPP	1/4" BSPP	58	60	30	48	49	9	28	14	28
PH10-3S_	C10-3S	1/2" BSPP	1/4" BSPP	68	74	32	60	59	9	34	14	32
PH12-3S_	C12-3S	3/4" BSPP	1/4" BSPP	75	88	40	72	64	11	40	21	41
PH16-3S_	C16-3S	1" BSPP	1/4" BSPP	88	88	48	70	77	11	50	17	38

ALL DIMENSIONS ARE IN mm U.O.S.

SUFFIX:

H = STEEL (65-45-12) – 350 Bar Max.

M = ALUMINIUM (6061-T6) – 210 Bar Max.

<http://www.primehyd.com.au>

sales@primehyd.com.au

Phone: +61 8 9248 4144

