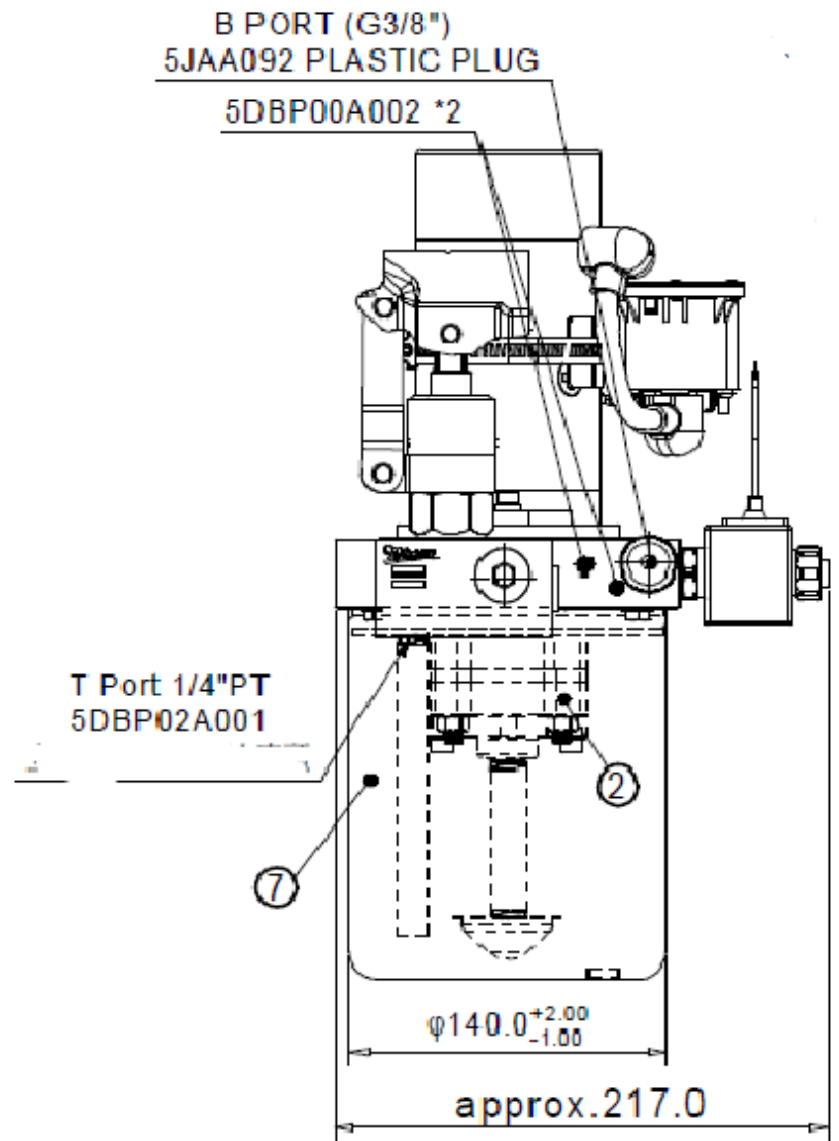


HSS-PP1-12V-W

Diagram:



Schematic:

