

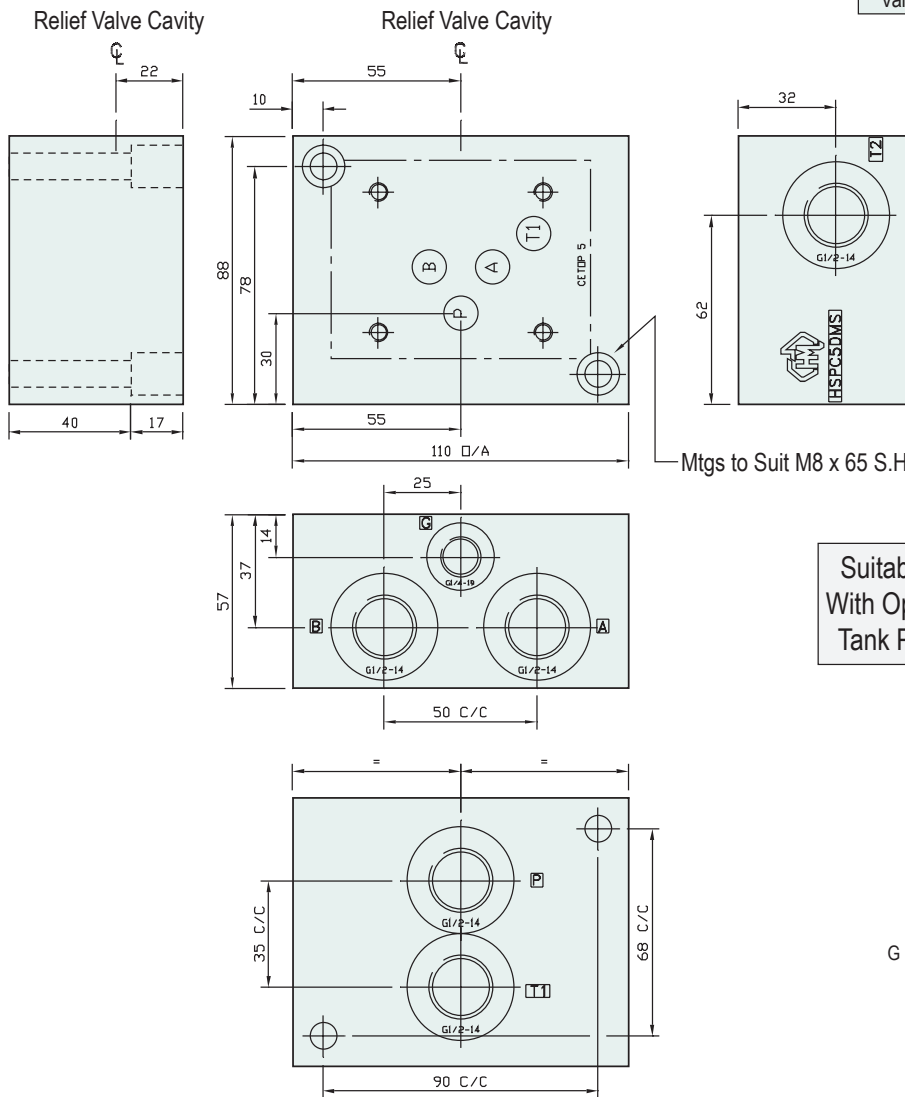
### Specifications

<b>Material :</b>	Alloy 6061-T6	Steel - S1214	
<b>Max. Working Pressure :</b>	Alloy - 210 Bar	Steel - 350 Bar	
<b>Surface Treatment :</b>	Alloy - Nil	Steel - Zinc Gold Passivation	
<b>Port Sizes :</b>	P & T - 1/2" BSPP	A & B - 1/2" BSPP	G - 1/4" BSPP

### Included Components

<b>Socket Head Cap Screws :</b>	(Inc. 2 x M8 Nuts) 2 each M8 x 65
<b>Flat Washers :</b>	2 each M8

### Technical Details



444

#### Subplate - No Relief Cavity

Part Number	Nominal Mass Kg
HSPC5DH	3.5
HSPC5DM	1.4

#### RELIEF VALVES SOLD SEPARATELY

SUN RELIEF VALVE	RPEC-LAN	(Suits Alloy)
SUN RELIEF VALVE	RPEC-LCN	(Suits Steel)
COMMON RELIEF VALVE	RP100-ABN	(Suits Alloy)
COMMON RELIEF VALVE	RP100-ACN	(Suits Steel)

#### Subplate - With Relief Cavity

Part Number	Nominal Mass Kg
HSPC5DHC	3.5
HSPC5DMC	1.4
HSPC5DHS	3.5
HSPC5DMS	1.4