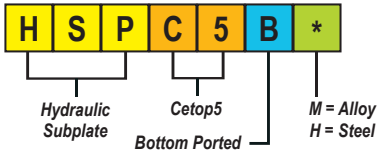


CETOP5

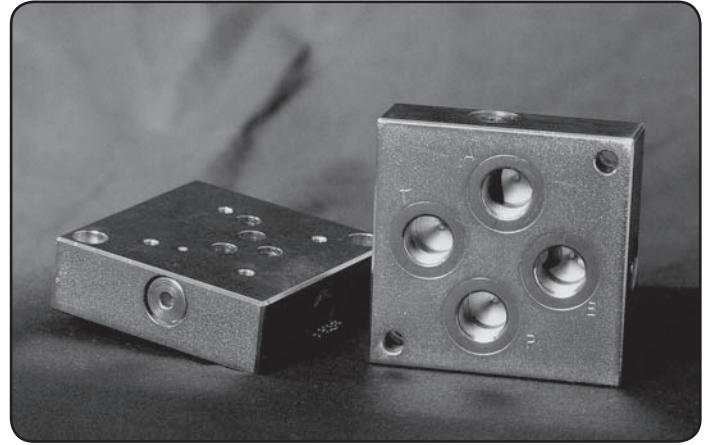


Specifications

Material :	Alloy 6061-T6	Steel - S1214
Max. Working Pressure :	Alloy - 210 Bar	Steel - 350 Bar
Surface Treatment :	Alloy - Nil	Steel - Zinc Gold Passivation
Port Sizes :	P & T - 1/2" BSPP	A & B - 1/2" BSPP

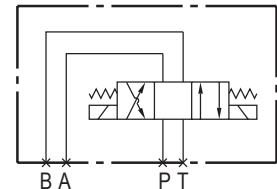
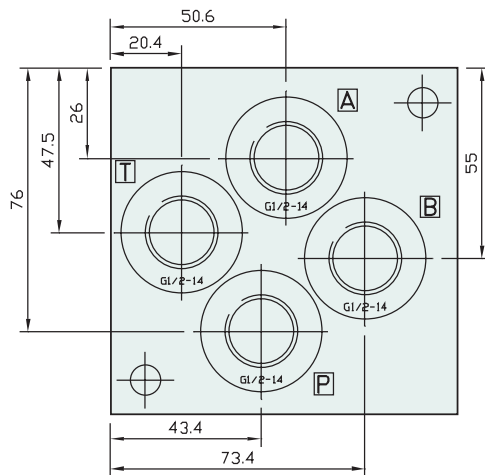
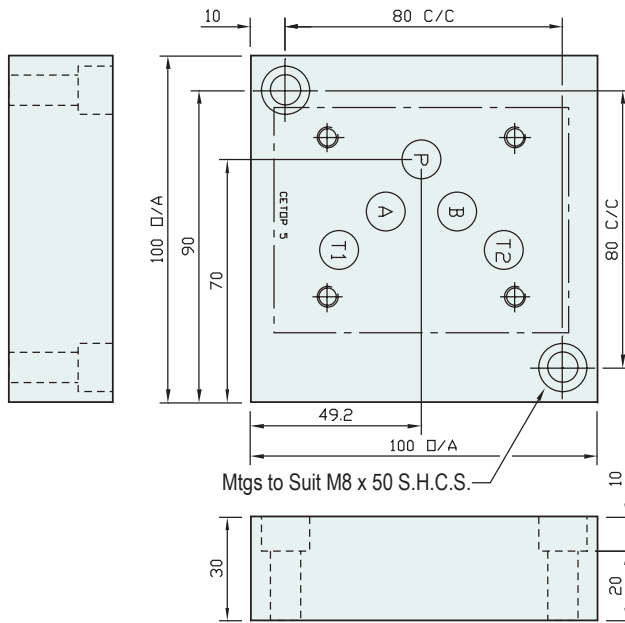
Included Components

Socket Head Cap Screws :	(Inc. 2 x M8 Nuts) 2 each M8 x 35
Flat Washers :	2 each M8



Technical Details

Valve Interface Mtg Threads M6



Manifold Circuit



Part Number	Nominal Mass Kg
HSPC5BH	2.2
HSPC5BM	0.8