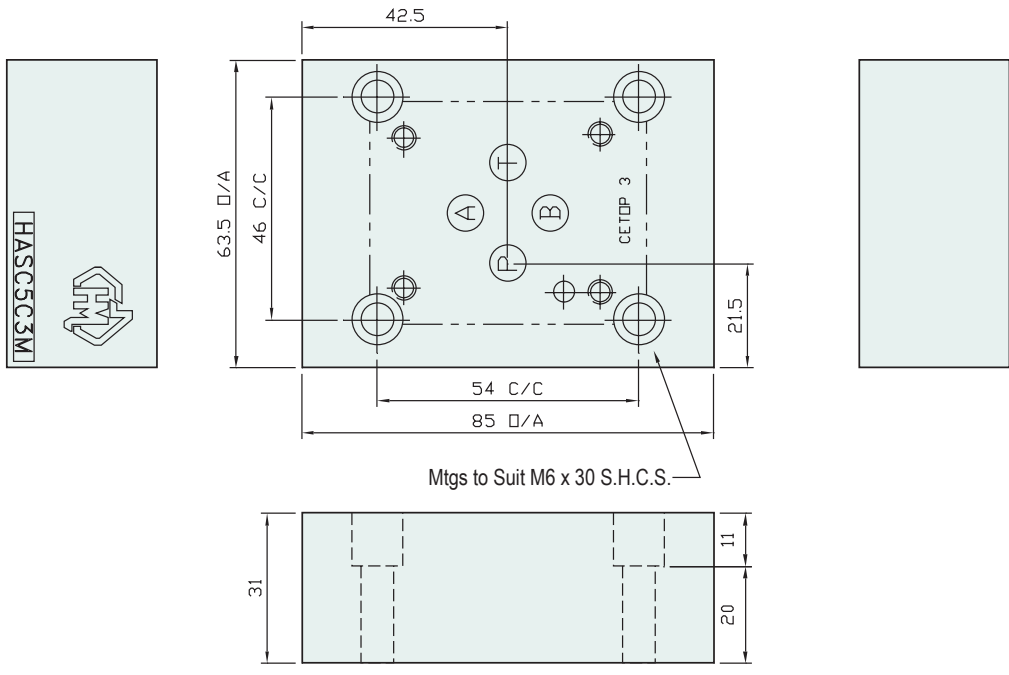


Specifications		
Material :	Alloy 6061-T6	Steel - S1214
Max. Working Pressure :	Alloy - 210 Bar	Steel - 350 Bar
Surface Treatment :	Alloy - Nil	Steel - Zinc Gold Passivation

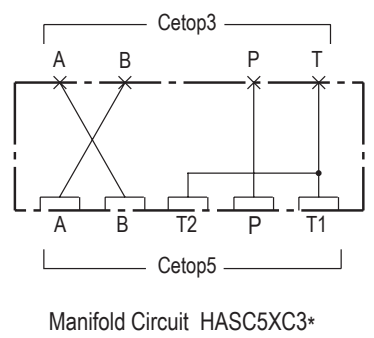
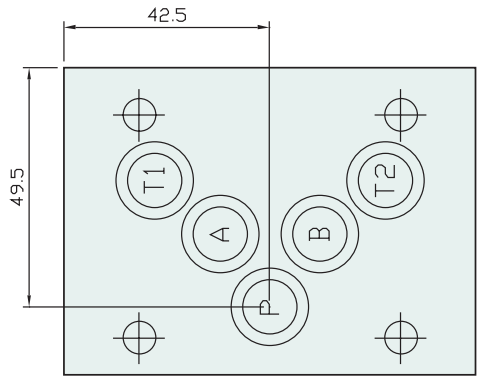
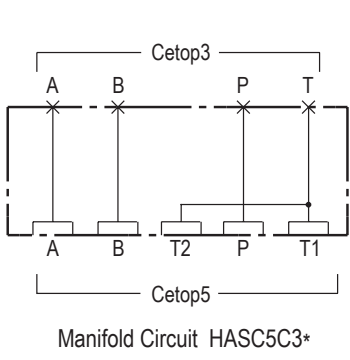
Included Components	
Socket Head Cap Screws :	4 each M6 x 30
O-Rings :	5 each N9-014

Technical Details

Valve Interface Mtg Threads M6



P-Port this end on HASC5XC3*



Part Number	Nominal Mass Kg
HASC5C3H	1.2
HASC5C3M	0.4

Part Number	Nominal Mass Kg
HASC5XC3H	1.2
HASC5XC3M	0.4