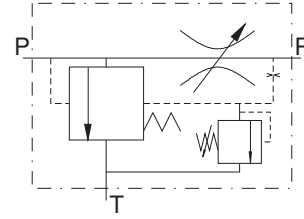
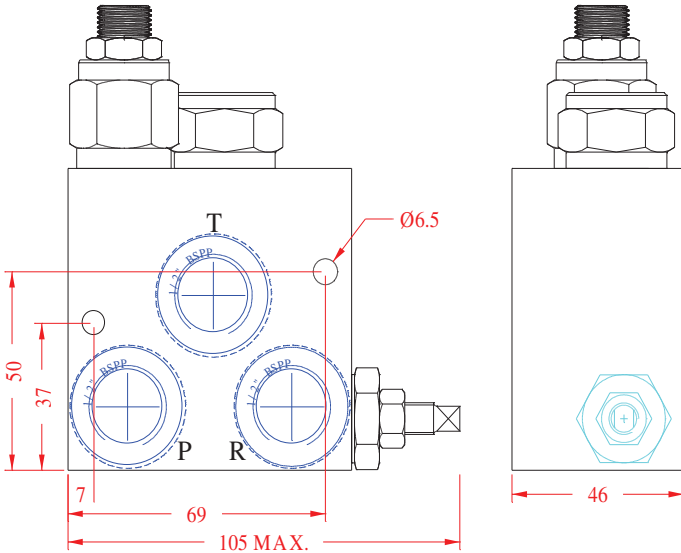


DIMENSIONS



DESCRIPTION: The FCV12-3R valve is a 3 port by-pass style flow control for use in high pressure hydraulic circuits. It features inlet flow rate to 80 litres/min., tamper resistant pressure relief adjustment, and a stainless steel adjusting mechanism.

OPERATION: The valve regulates flow from port 'P' to port 'R' and by-passes the excess to port 'T'. The regulated flow from port 'R' remains virtually constant regardless of load variations, and can be adjusted from zero to 70 litres/min. maximum by turning the adjustment screw counter-clockwise. The maximum pressure at port 'R' is set by adjusting the pressure relief setting. The blocking of port 'R' is not recommended as it will cause pressure build-up and overheating in the hydraulic system.

FEATURES:

- Compact.
- Steel housing.
- Tamper resistant pressure adjustment.
- Stainless steel flow adjuster assembly.
- All cartridges 100% factory tested.
- Desired settings may be locked.
- Captive flow adjuster cannot be backed out of valve.
- Optional handwheel flow adjuster (P/N HW17).

SPECIFICATIONS:

- OPERATING PRESSURE: 210 bar (3000 p.s.i.) max.
- MEDIA: general purpose hydraulic fluids @ -40° c to +120° c.
- FLOW: See performance chart.
- WEIGHT: 1.9 Kg.
- MATERIALS: All parts are steel, except seals. Standard seals are Buna N with teflon backups. Viton seals are available on special order.

IMPORTANT PRECAUTIONS

- ◆ All ports are B.S.P. parallel, and appropriate fittings must be used. Tapered fittings are not acceptable.
- ◆ Failure to correctly install or set these valves may result in damage to property, personal injury or death.

ORDERING CODE

