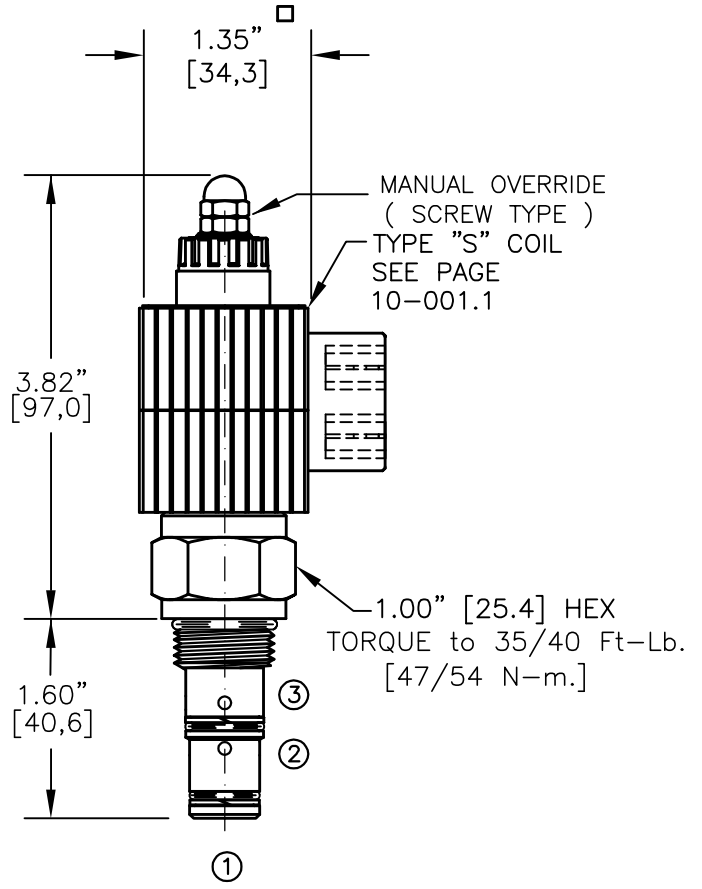
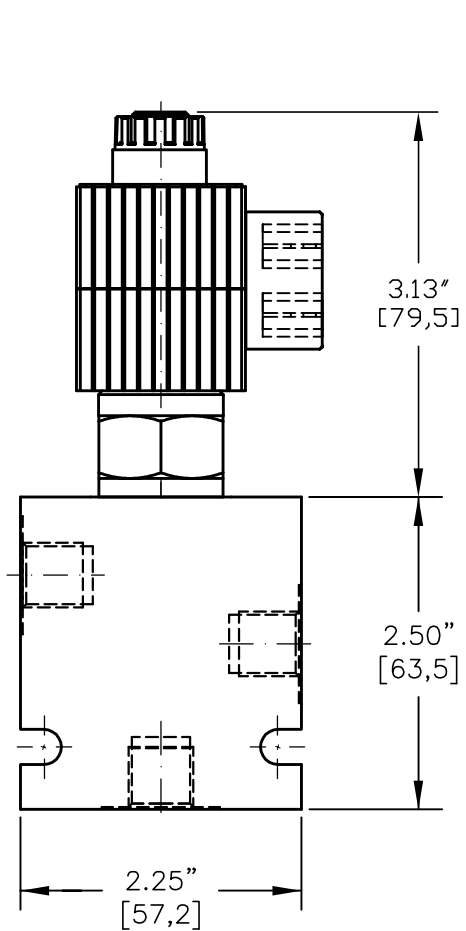
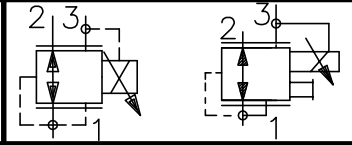


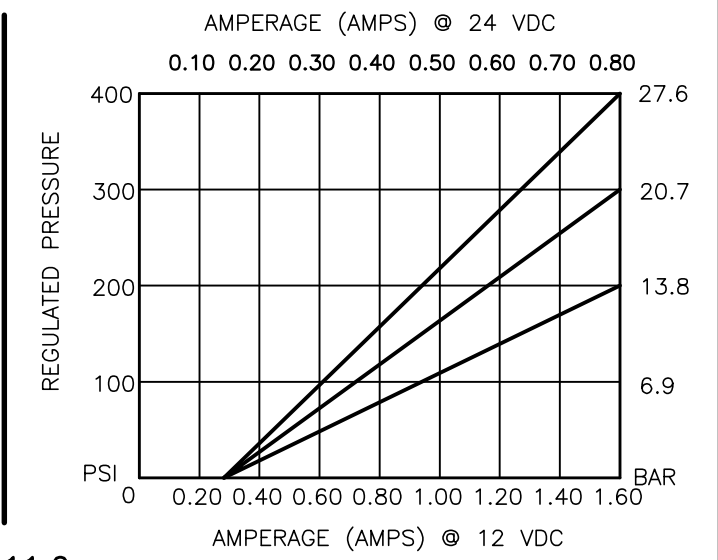
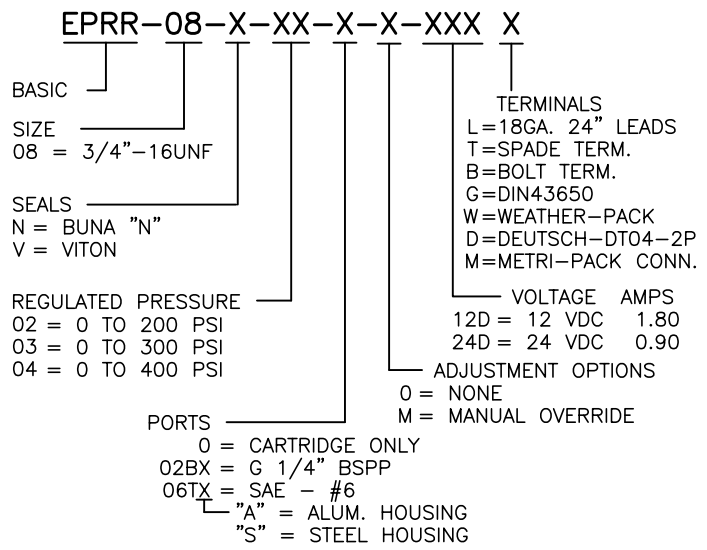


# PROPORTIONAL PRESSURE REDUCING/RELIEVING DIRECT ACTING, SPOOL TYPE



NOTES:

- 1. FOR ALUMINUM OR STEEL VALVE HOUSING CONFIGURATIONS SEE PAGE 0-031.1
- 2. SOLENOIDS AVAILABLE WITH DIODES - CONSULT FACTORY.





## ELECTRO-HYDRAULIC, PROPORTIONAL, PRESSURE REDUCING/RELIEVING VALVE.

### DESCRIPTION

This unit is an electro-hydraulic, proportional, screw in cartridge style, direct acting, spool type, pressure reducing/relieving low pressure control valve.

### OPERATIONS

When the coil is de-energized, this valve allows no flow or pressure from port 2 to port 1; port 1 relieves any pressure to port 3 (tank). When the coil is energized, the spool in this valve shifts and allows flow and pressure between ports 2 and 1 and blocks port 3 (tank). When the coil is energized the armature moves a precision bias spring against the metering spool thus varying the pressure at port 1 (Reg.) proportional to the current input. When the current is increased to the coil the regulated pressure will increase.

IN THE EVENT OF POWER FAILURE THE VALVE WILL REDUCE REGULATED PRESSURE AT PORT 1 TO ZERO.

### FEATURES AND BENEFITS

Continuous-duty, very low heat rise & waterproof solenoid coil.  
Interchangeable solenoid coils & terminations options available.  
Hardened precision fitted spool & sleeve provides reliable, long life.  
Very efficient wet - armature solenoid core tube construction.  
All external carbon steel parts are plated for longer life against the elements.  
All cartridge valves are 100% functionally tested.  
Industry common cavity.

### SPECIFICATIONS

OPERATING PRESSURE: 5,000 PSI [350 Bar] @ PORT #2.  
PROOF PRESSURE: 10,000 PSI [700 Bar]  
REGULATED PRESSURE: 0 to 400 PSI [0 to 27,6 Bar] See performance chart  
FLOW: 0.5 GPM (1.9 l/m) nominal  
INTERNAL LEAKAGE: 10 cu.in/min [164 cc/m] @ 5,000 PSI [350 Bar]  
VALVE HOUSINGS: 2500 PSI [175 Bar] = Aluminum - Anodized.  
5000 PSI [350 Bar] = Steel - Unplated.  
OPERATING TEMPERATURE: -40° to +250° F. [-40° to +120° C.]  
OPERATING MEDIA: All general purpose hydraulic fluids such as  
MIL-H-5606, SAE-#10, SAE-#20, etc.  
RESPONSE: The most efficient method to control this valve is with  
current control and a 50 Hz dither.  
POWER REQUIREMENTS: 12 VDC, Operating current 0.3 to 1.6 AMPS.  
24 VDC, Operating current .15 to 0.8 AMPS.  
SEAL KIT: SKN-0831 Buna "N"  
SKV-0831 Viton  
INSTALLATION: No restrictions.  
WEIGHT:.86 lb [.39 kg] cartridge with coil only.  
VALVE CAVITY: #C0830, See Page 0-031.0.